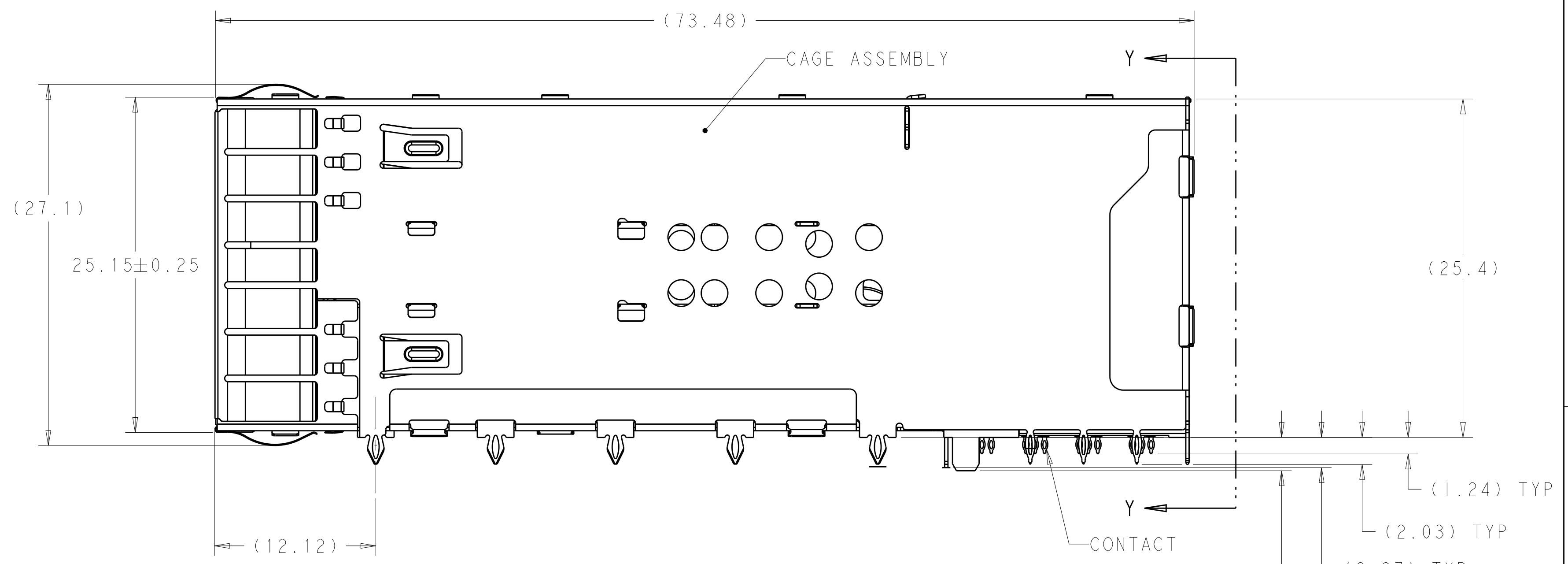
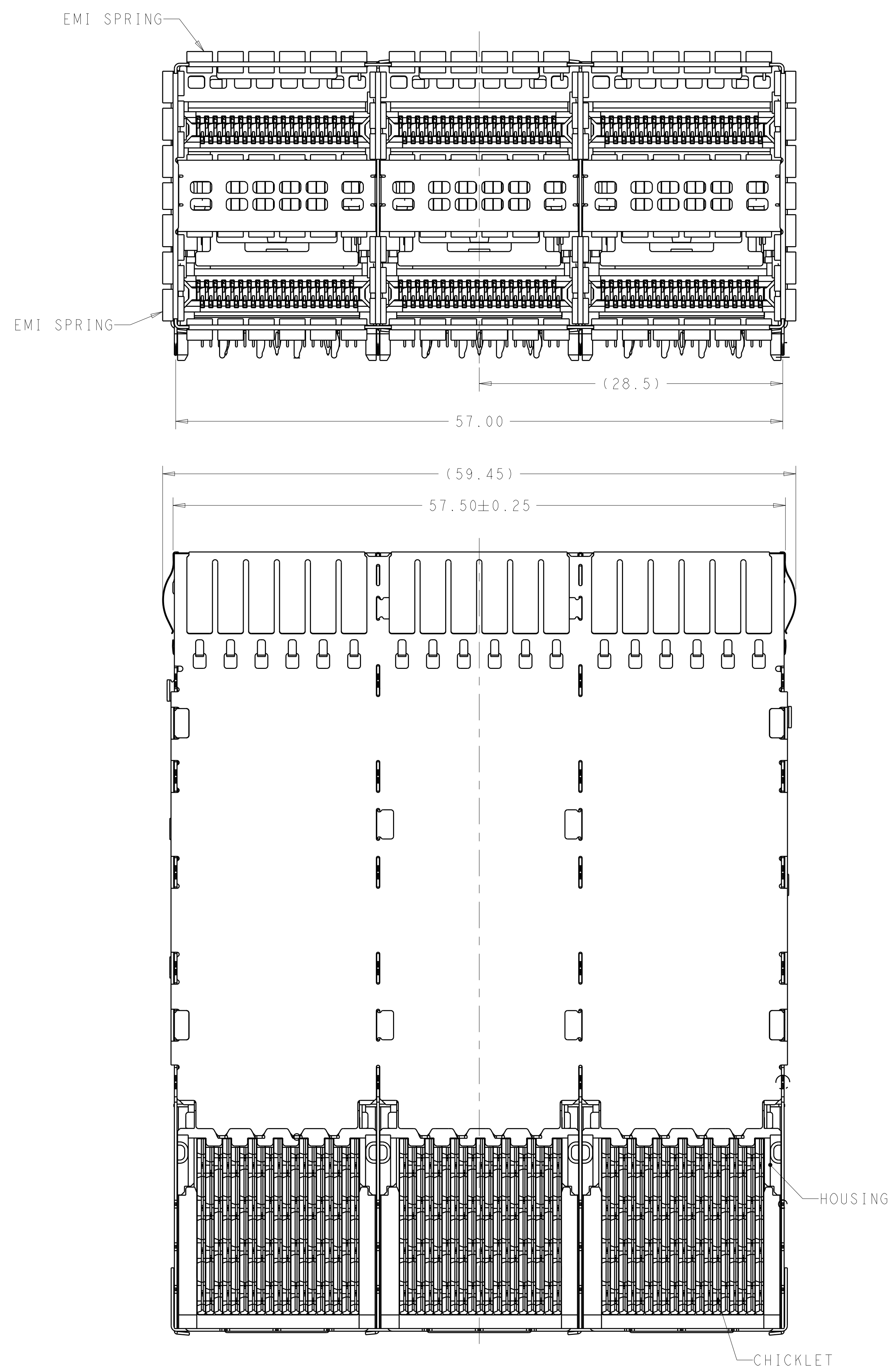


LOC	DIST	REVISIONS					
GP	00	P	LTN	DESCRIPTION	DATE	DMN	APVD
		A		RELEASED FOR PRODUCTION	03MAR2016	TX	SH



- MATERIALS:  
 CAGE ASSEMBLY- NICKEL SILVER ALLOY PER ASTM B 122.  
 EMI SPRING- COPPER ALLOY, NICKEL PLATED.  
 HOUSING- POLYESTER LCP WITH 94 V-0  
 CHICKLET- POLYESTER LCP WITH 94 V-0  
 CONTACT- COPPER ALLOY.  
 LIGHTPIPE- POLYCARBONATE
- CONTACT FINISH: 0.76µm GOLD ON MATING END, 1.25µm TIN ON SOLDER TAIL, ALL OVER 1.27µm NICKEL.
- DATUM AND BASIC DIMENSION ESTABLISHED BY CUSTOMER.
- MINIMUM PCB THICKNESS OF 1.57.
- THE ENTIRE AREA OF THE CONNECTOR FOOTPRINT, INDICATED BY THE DASHED LINE, TO BE CONSIDERED THE KEEPOUT AREA FOR COMPONENTS.
- CROSS-HATCHED AREAS REPRESENT ZONES ON THE PCB THAT COME IN CONTACT WITH OR BE IN CLOSE PROXIMITY TO THE PLASTIC HOUSING OR THE CONNECTOR CAGE. INDICATED AREAS TO BE CONSIDERED TRACE FREE.
- PART NUMBER AND DATE CODE MADE IN APPROXIMATE AREA SHOWN.
- CONTACT FINISH: 0.08µm MINIMUM GOLD OVER 0.68µm PALLADIUM-NICKEL ON MATING END, 1.25µm TIN ON SOLDER TAIL, ALL OVER 1.27µm NICKEL.
- REMOVE THE PCB HOLES FOR 1-2227671-0 FOR BELLY TO BELLY APPLICATION
- HATCHED AREA IS PLACEMENT ZONE FOR LED. LED SHOULD BE CENTERED WITHIN ZONE. RECOMMEND 0805 PACKAGE

CONTACT FINISH	DESCRIPTION	PART NUMBER
2	ALL INDICATOR DOWN, 4 LP	1-2227671-2
2	DUAL LEFT INDICATOR UP, 4 LP	1-2227671-1
2	LEFT INDICATOR UP, 2 LP	1-2227671-0
2	LEFT INDICATOR DOWN, 4 LP	2227671-9
2	LEFT INDICATOR UP, 4 LP	2227671-8
2	ALL INDICATOR UP, 4 LP	2227671-7
8	LEFT INDICATOR DOWN	2227671-6
8	LEFT INDICATOR UP	2227671-5
8	NO LIGHTPIPE	2227671-4
2	LEFT INDICATOR DOWN	2227671-3
2	LEFT INDICATOR UP	2227671-2
2	NO LIGHTPIPE	2227671-1

THIS DRAWING IS A CONTROLLED DOCUMENT. DWN: M\_SHIRK 18JAN2013  
 CHK: D\_SZCZESNY 18JAN2013

TE Connectivity

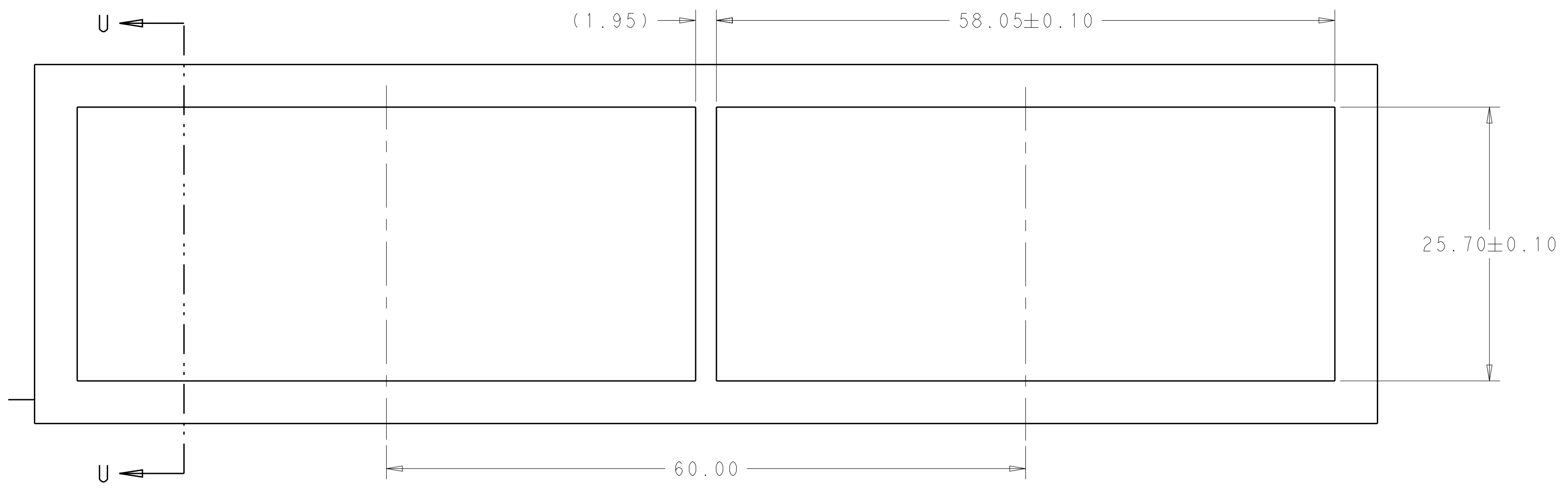
NAME: CAGE AND CONNECTOR ASSEMBLY, WITH EMI SPRING, THRU BEZEL, 2X3, ZQSFP+ STACKED

PRODUCT SPEC: 108-60102  
 APPLICATION SPEC: 114-60015

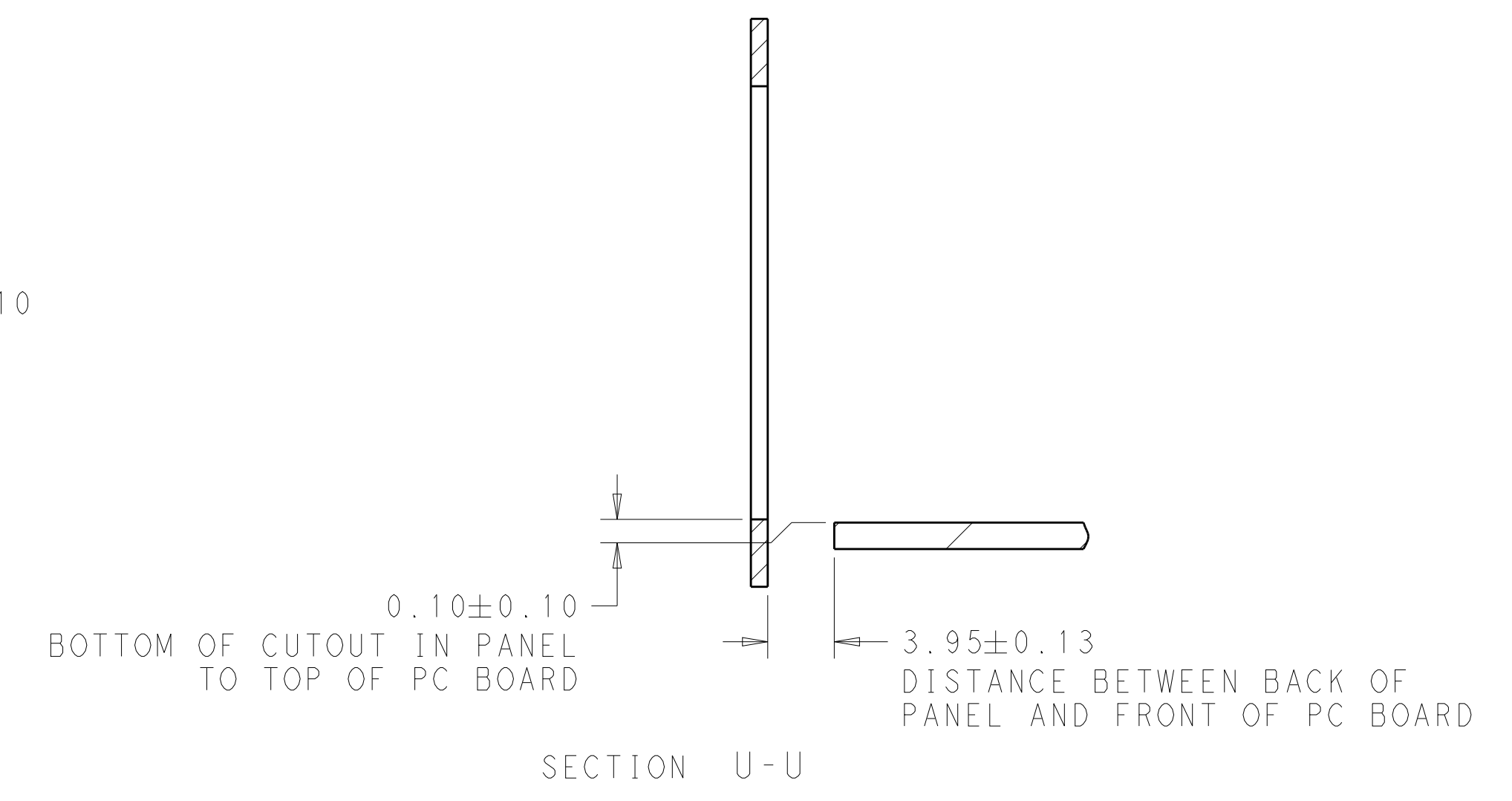
SIZE: A1  
 CAGE CODE: 00779  
 DRAWING NO: 2227671

SCALE: 4:1 SHEET 1 OF 6 REV A

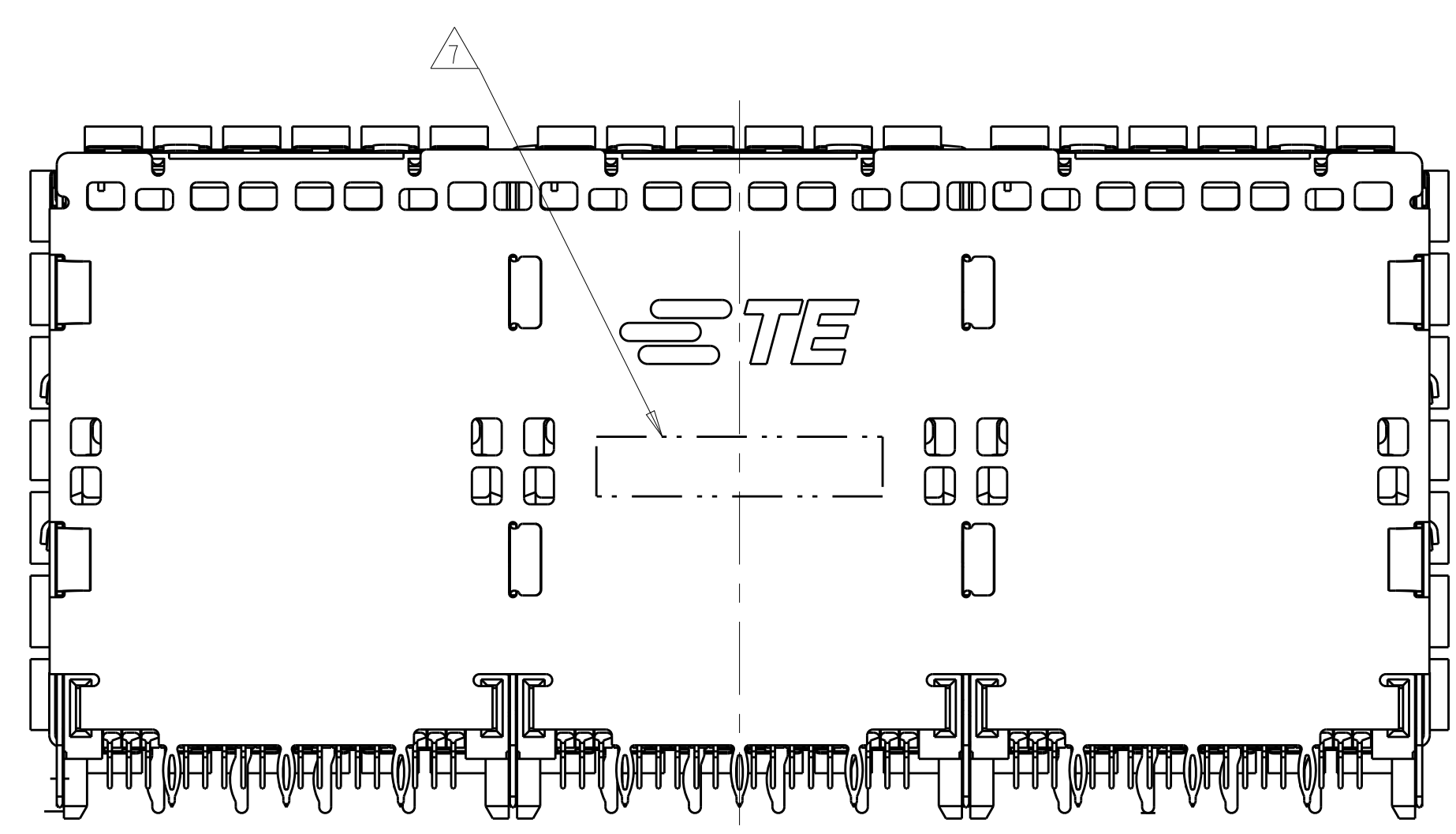
LOC		DIST		REVISIONS			
P	LTN	DESCRIPTION	DATE	DMN	APVD		
-	-	SEE SHEET 1	-	-	-		



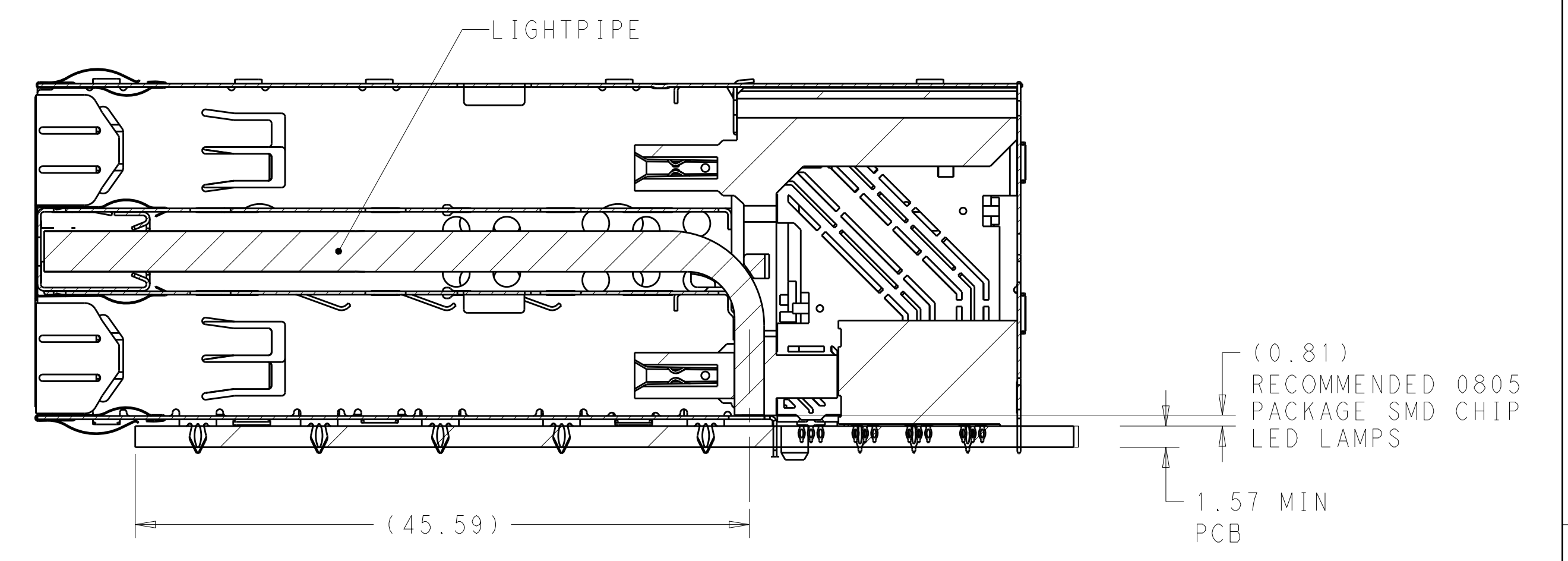
RECOMMENDED PANEL CUTOUT  
 AND PC BOARD, PANEL POSITION  
 SCALE 3:1



SECTION U-U



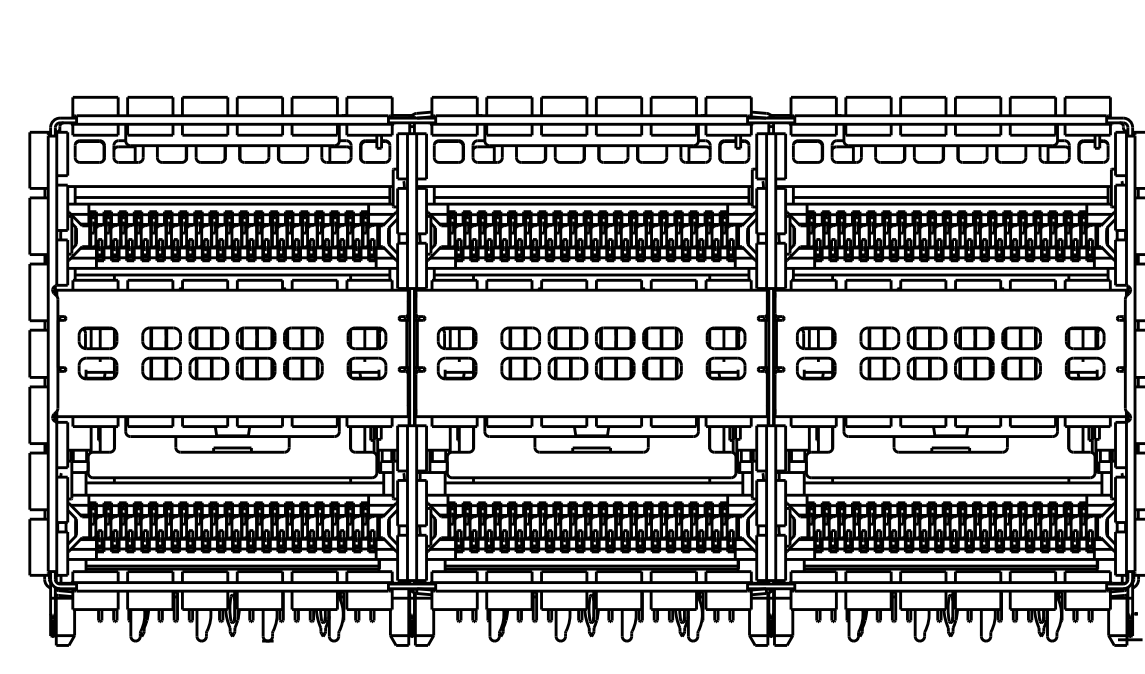
VIEW Y-Y



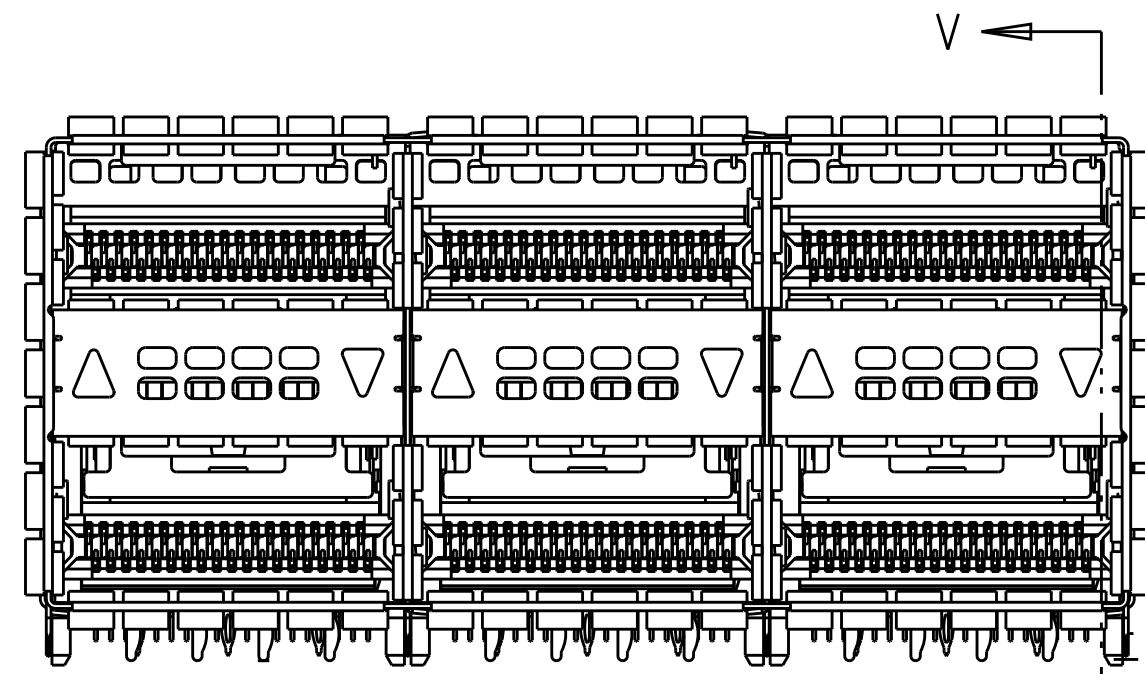
SECTION V-V  
 SCALE 3:1

THIS DRAWING IS A CONTROLLED DOCUMENT.		DMN M. SHIRK 18JAN2013	TE Connectivity	
DIMENSIONS:		CHK D. SZCZESNY 18JAN2013	NAME CAGE AND CONNECTOR ASSEMBLY, WITH EMI SPRING, THRU BEZEL, 2X3, ZQSFP+ STACKED	
mm	TOLERANCES UNLESS OTHERWISE SPECIFIED:	APVD	PRODUCT SPEC 108-60102	RESTRICTED TO
	0 PLC ±		APPLICATION SPEC	
	1 PLC ±0.25		114-60015	
	2 PLC ±0.15		WEIGHT	
	3 PLC ±			
	4 PLC ±			
	ANGLES ±			
MATERIAL	FINISH			
SEE NOTE 1	SEE NOTE 2	CUSTOMER DRAWING	SCALE 4:1	SHEET 1 OF 6 REV A

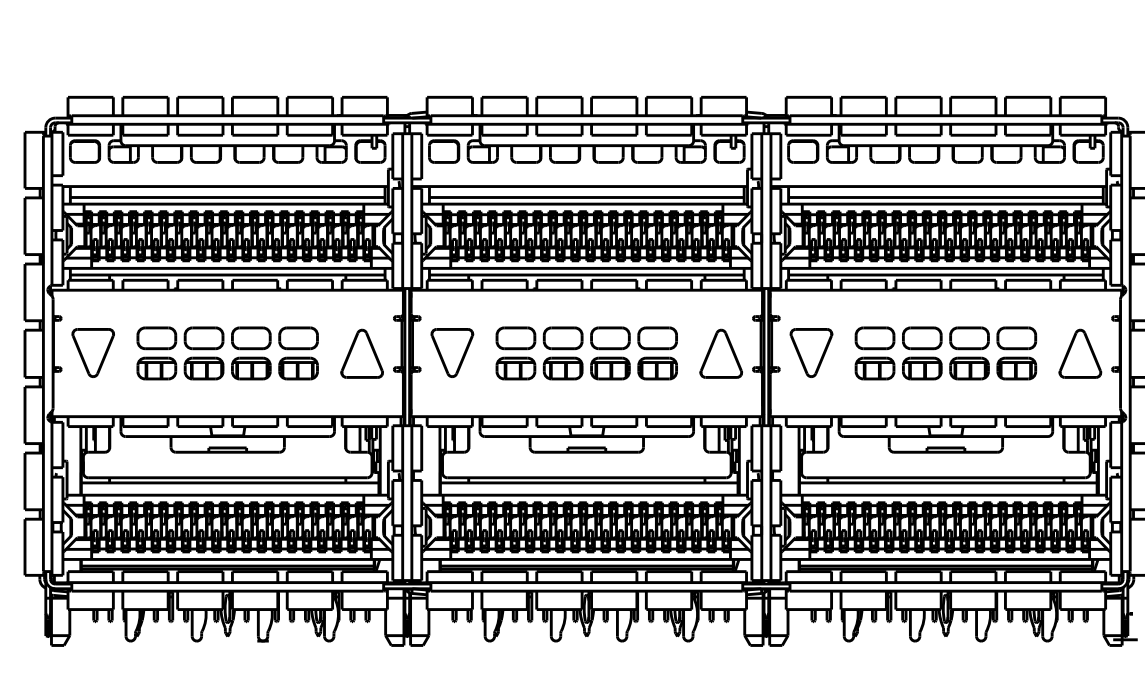
LOC	DIST	REVISIONS			
P	LTN	DESCRIPTION	DATE	OWN	APVD
-	-	SEE SHEET 1	-	-	-



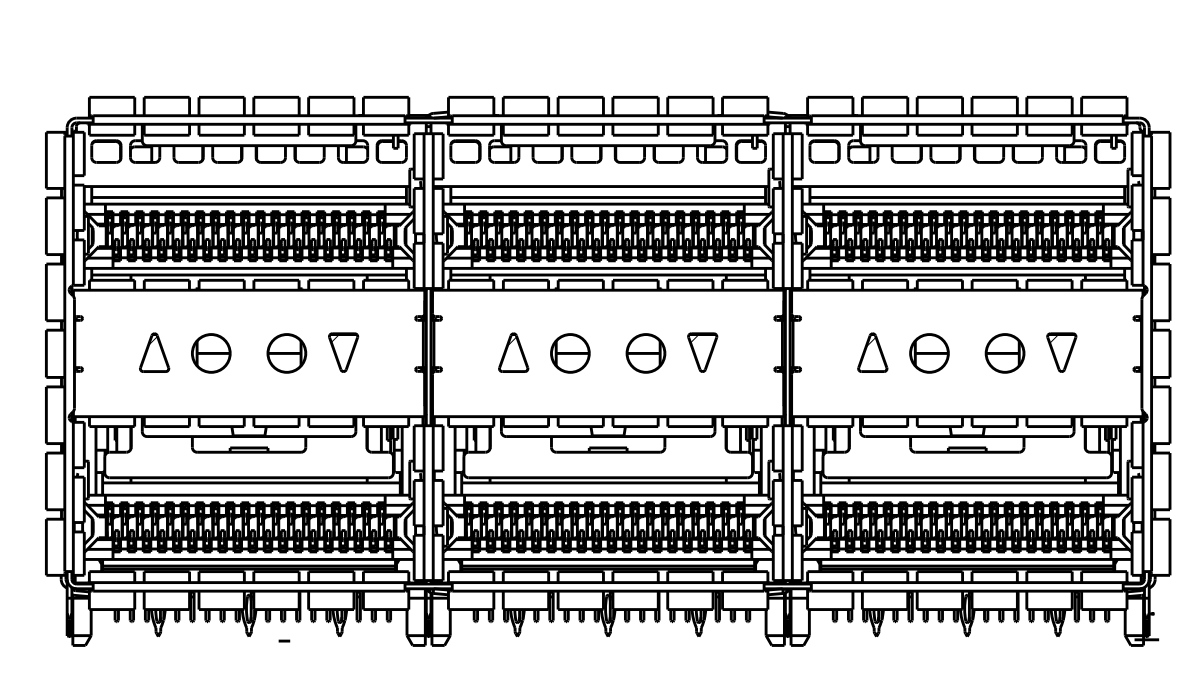
2227671-1/4  
 NO LIGHTPIPE IN ASSEMBLY  
 SCALE 5:2



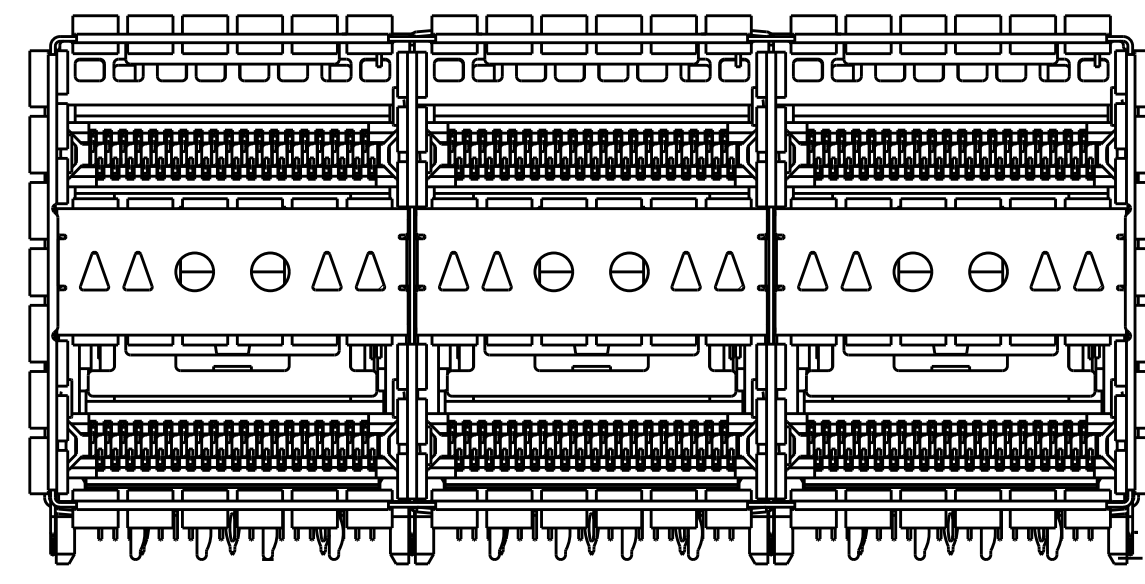
2227671-2/5  
 LEFT LIGHTPIPE INDICATOR  
 POINTING TO UPPER PORT  
 SCALE 5:2



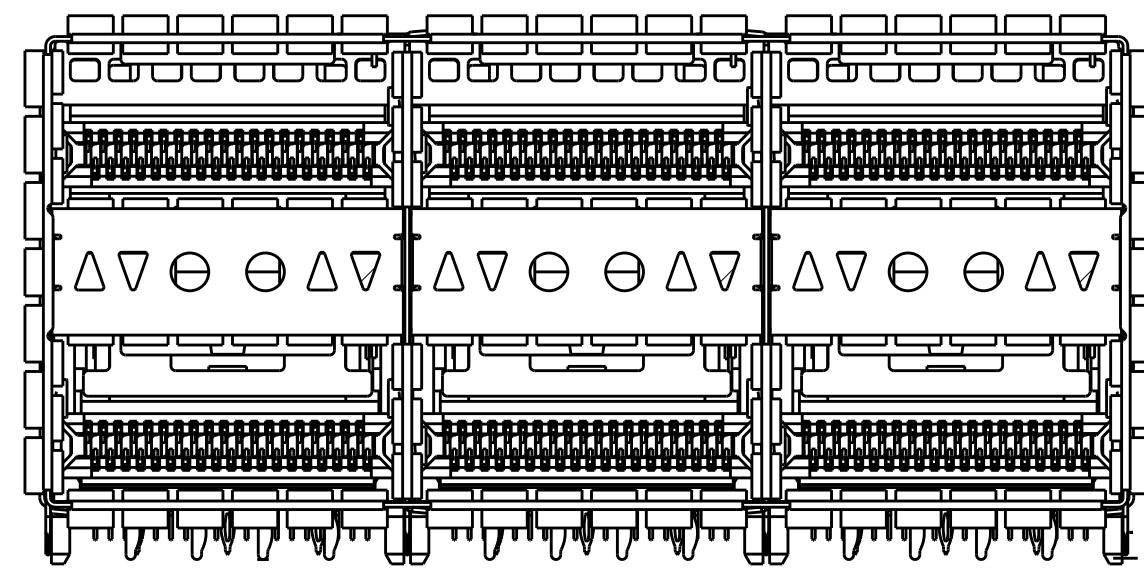
2227671-3/6  
 LEFT LIGHTPIPE INDICATOR  
 POINTING TO LOWER PORT  
 SCALE 5:2



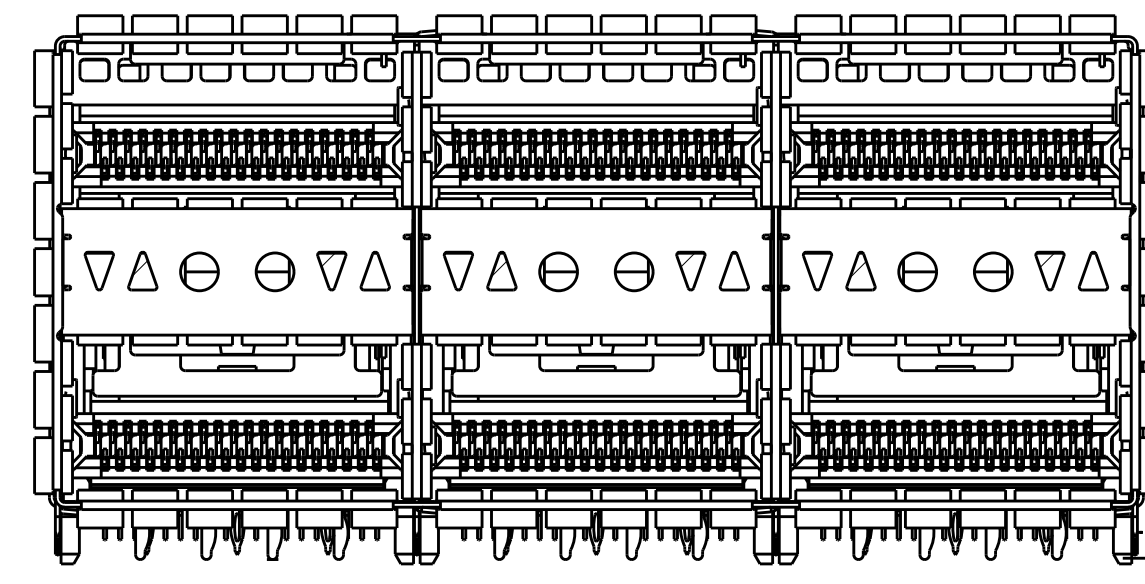
1-2227671-0  
 LEFT INDICATOR UP, 2LP  
 SCALE 5:2



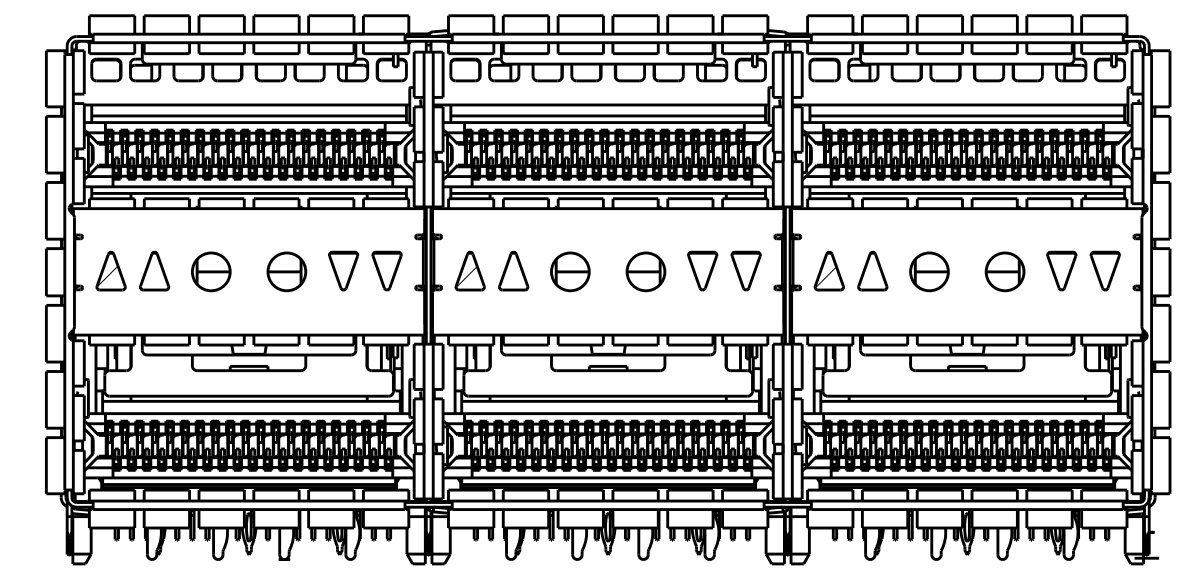
2227671-7  
 ALL INDICATOR UP, 4LP  
 SCALE 5:2



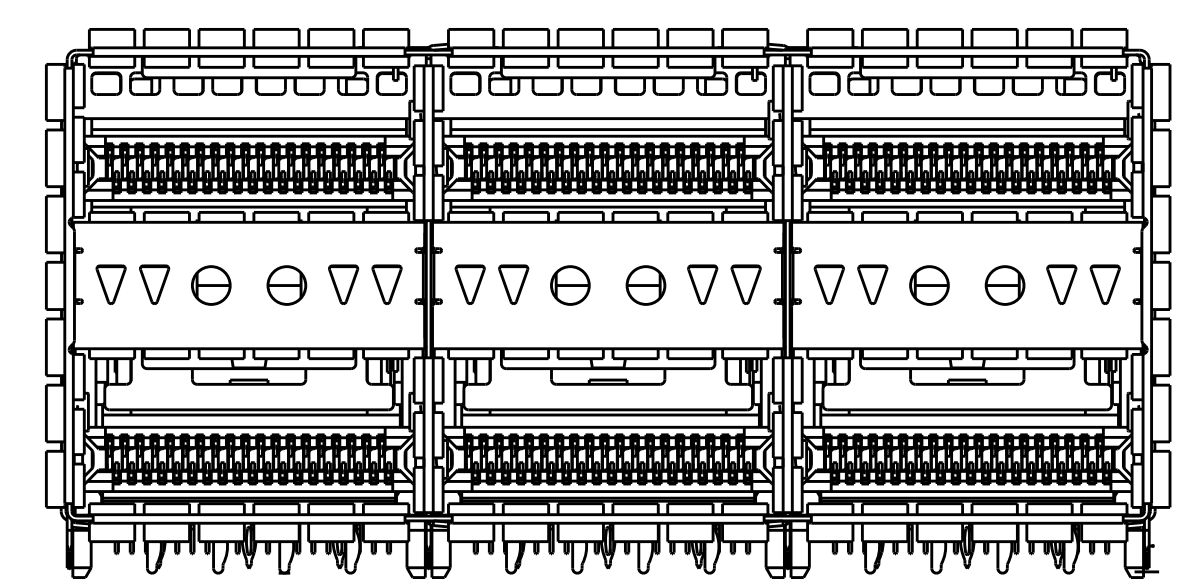
2227671-8  
 LEFT INDICATOR UP, 4LP  
 SCALE 5:2



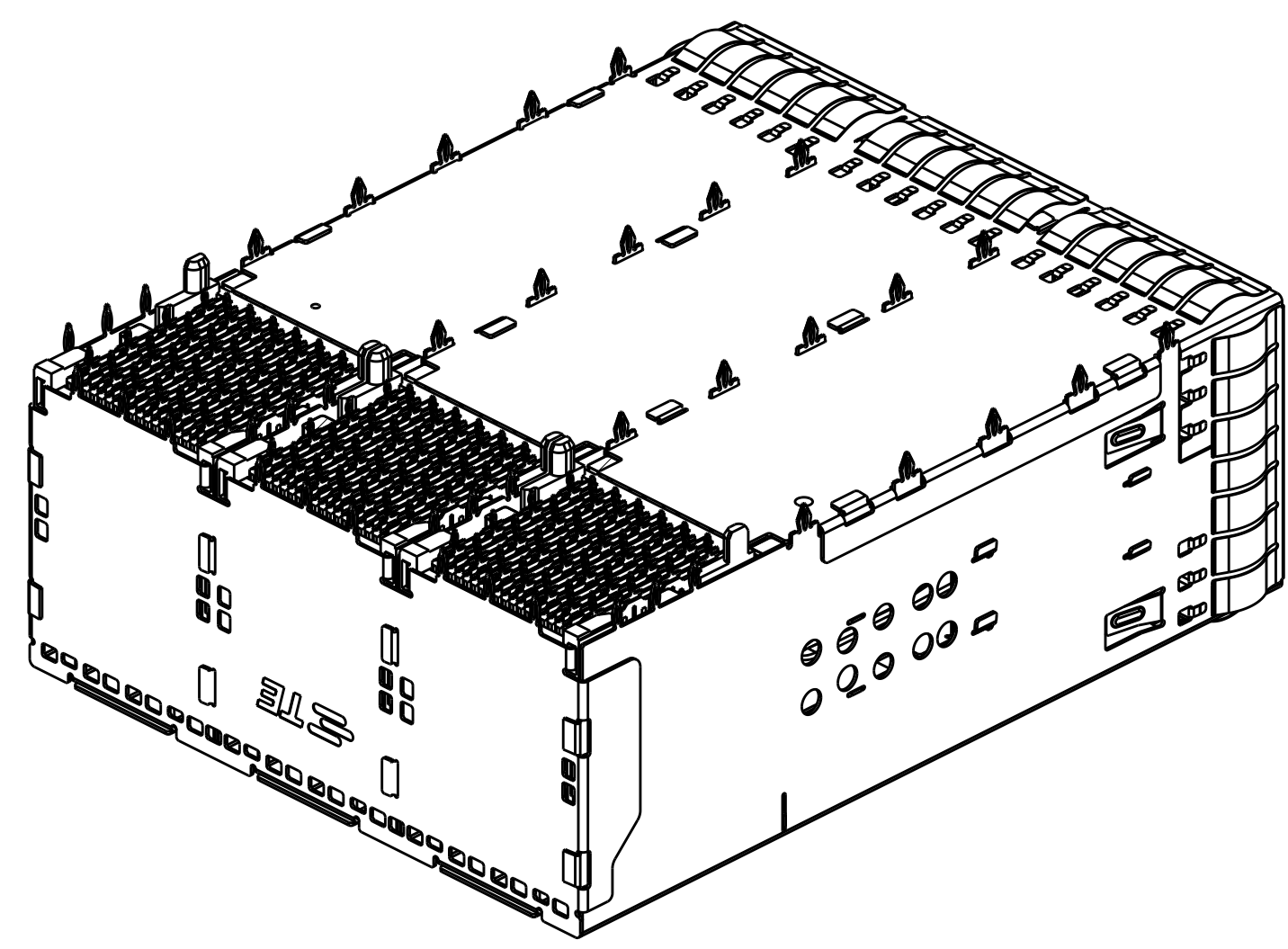
2227671-9  
 LEFT INDICATOR DOWN, 4LP  
 SCALE 5:2



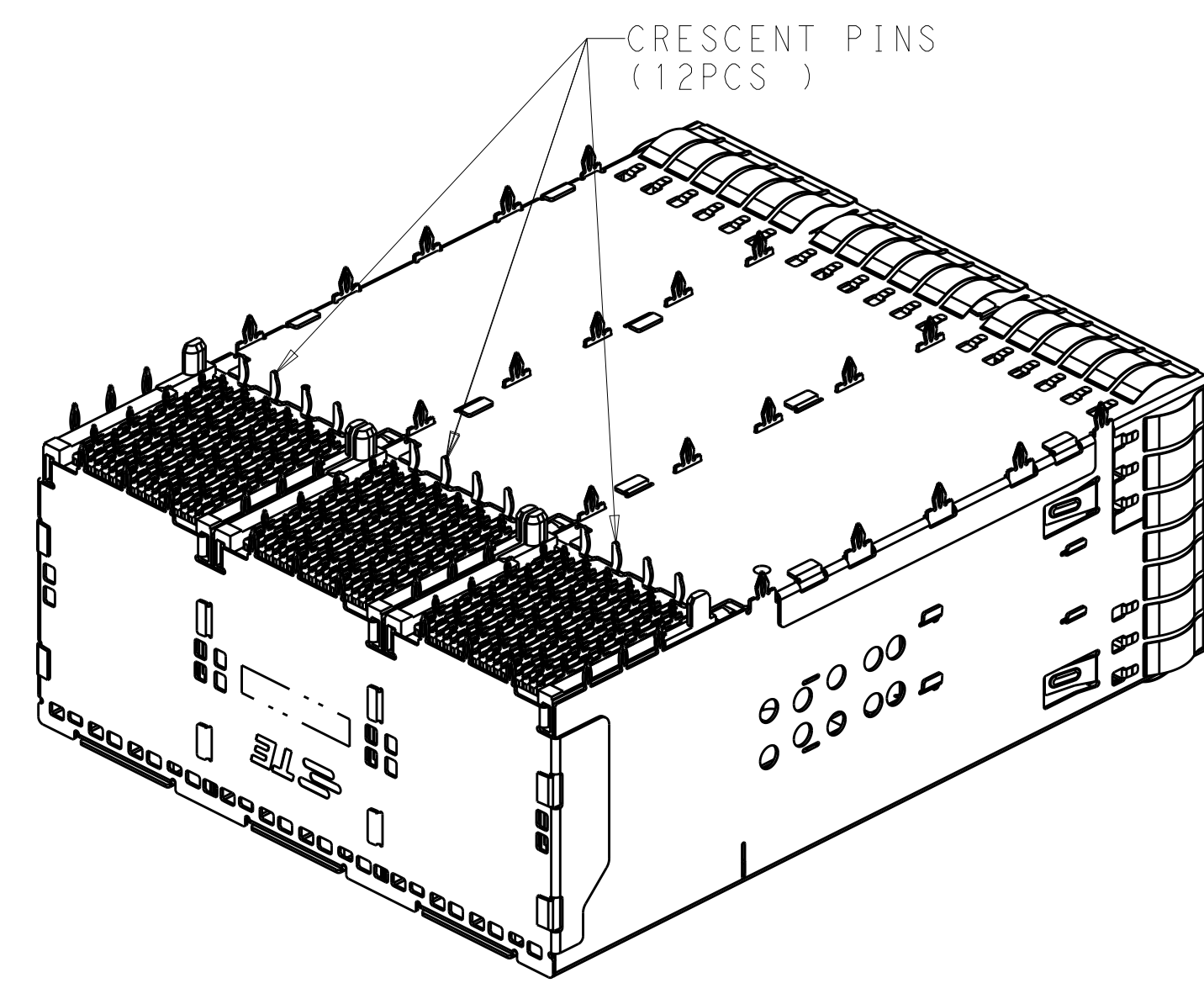
1-2227671-1  
 DUAL LEFT INDICATOR UP, 4 LP  
 SCALE 5:2



1-2227671-2  
 ALL INDICATOR DOWN, 4 LP  
 SCALE 5:2



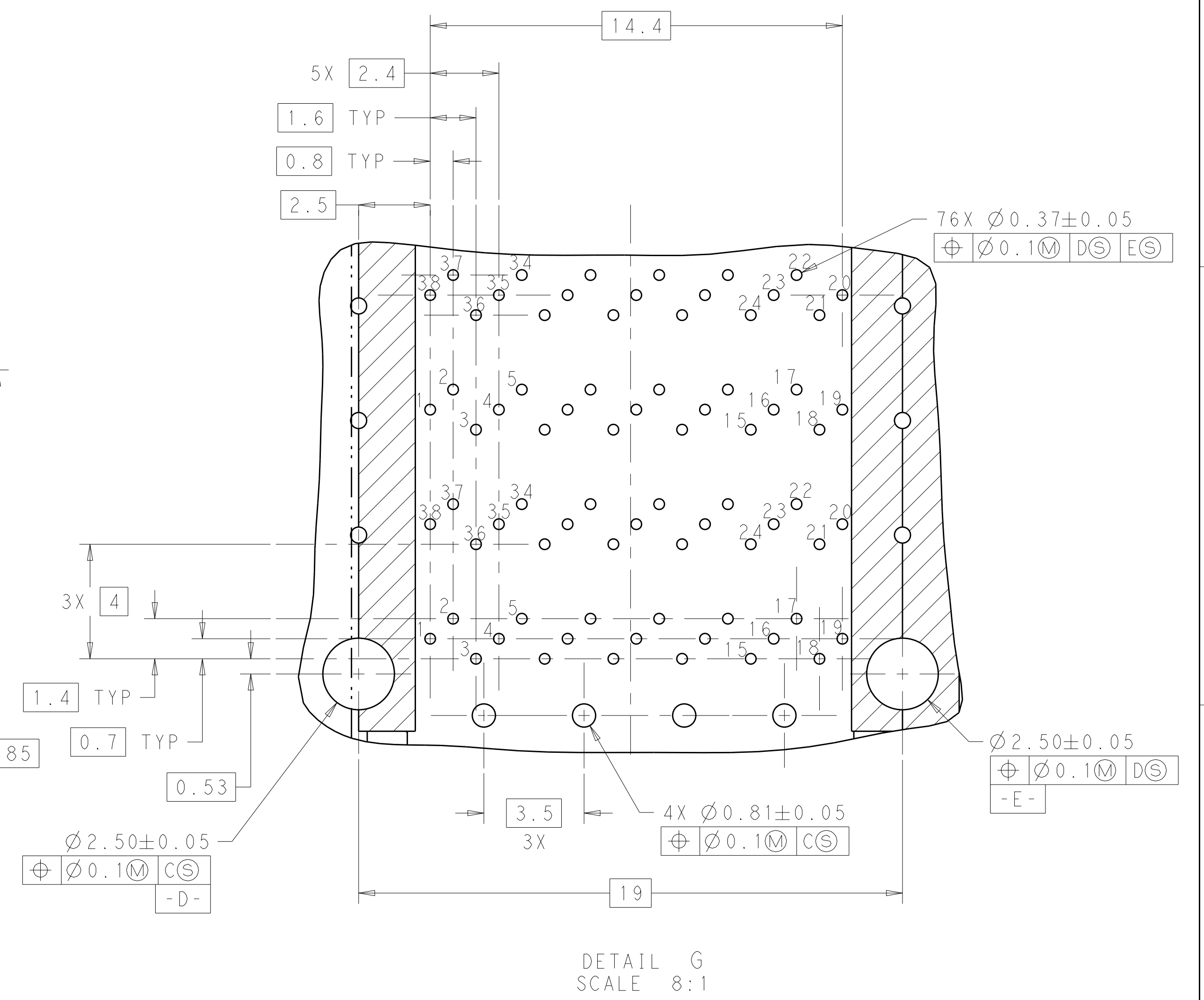
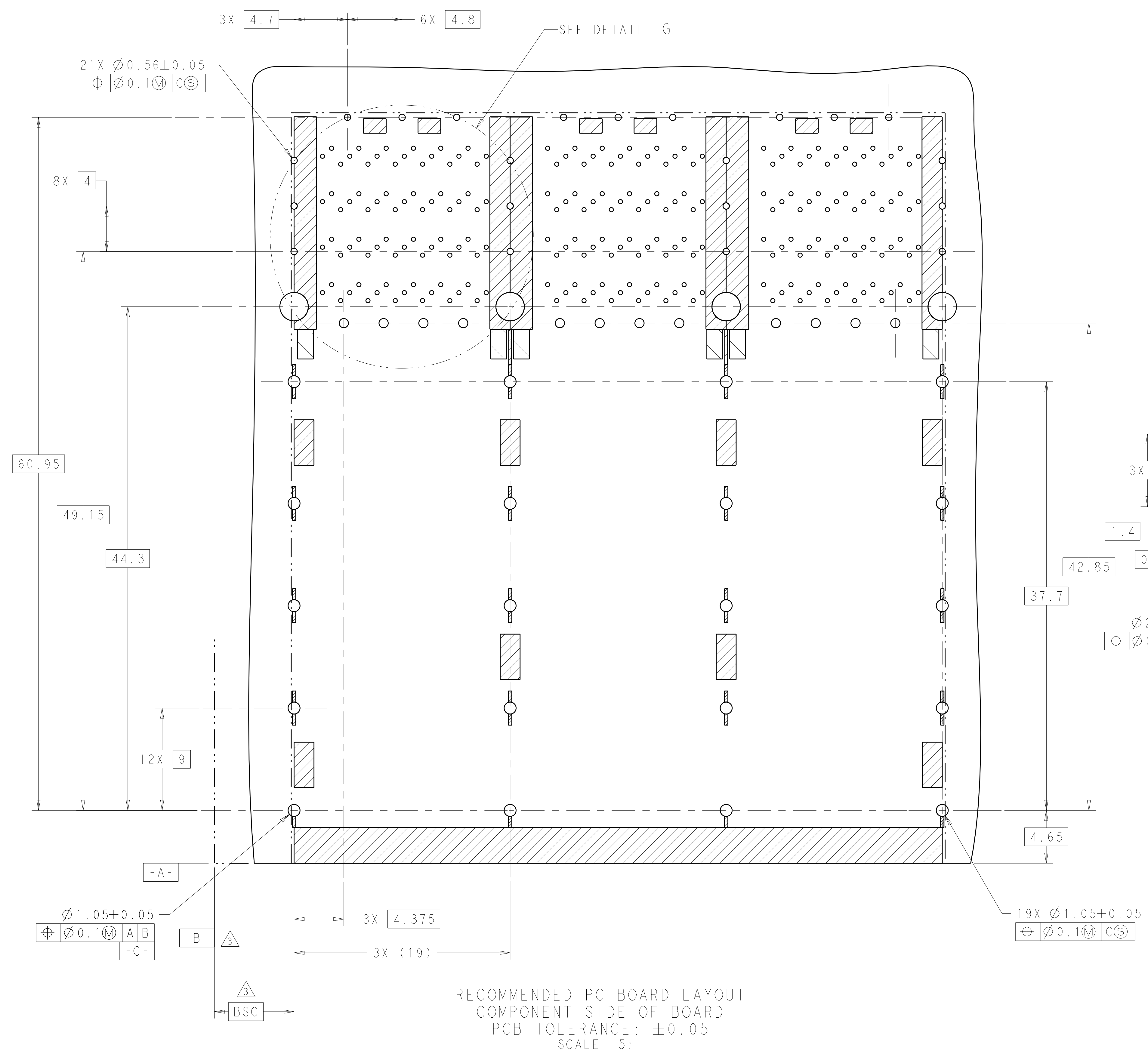
ONLY 1-2227671-0 AS SHOWN WITHOUT CRESCENT PINS  
 SCALE 2:1



2227671-1 TO 2227671-9, 1-2227671-1  
 AND 1-2227671-2 AS SHOWN WITH CRESCENT PINS  
 SCALE 2:1

THIS DRAWING IS A CONTROLLED DOCUMENT.		OWN: M. SHIRK 18JAN2013	TE Connectivity
DIMENSIONS: mm		CHK: D. SZCZESNY 18JAN2013	
TOLERANCES UNLESS OTHERWISE SPECIFIED:		APVD: -	NAME: CAGE AND CONNECTOR ASSEMBLY, WITH EMI SPRING, THRU BEZEL, 2X3, ZQSFP+ STACKED
0 PLC ±		PRODUCT SPEC: 108-60102	SIZE: CAGE CODE DRAWING NO: A100779C=2227671
1 PLC ±0.25		APPLICATION SPEC: 114-60015	RESTRICTED TO: -
2 PLC ±0.15		WEIGHT: -	SCALE: 4:1 SHEET 1 OF 6 REV A
3 PLC ±		FINISH: -	
4 PLC ±		SEE NOTE 1	
ANGLES ±		SEE NOTE 2	
MATERIAL: -		CUSTOMER DRAWING	

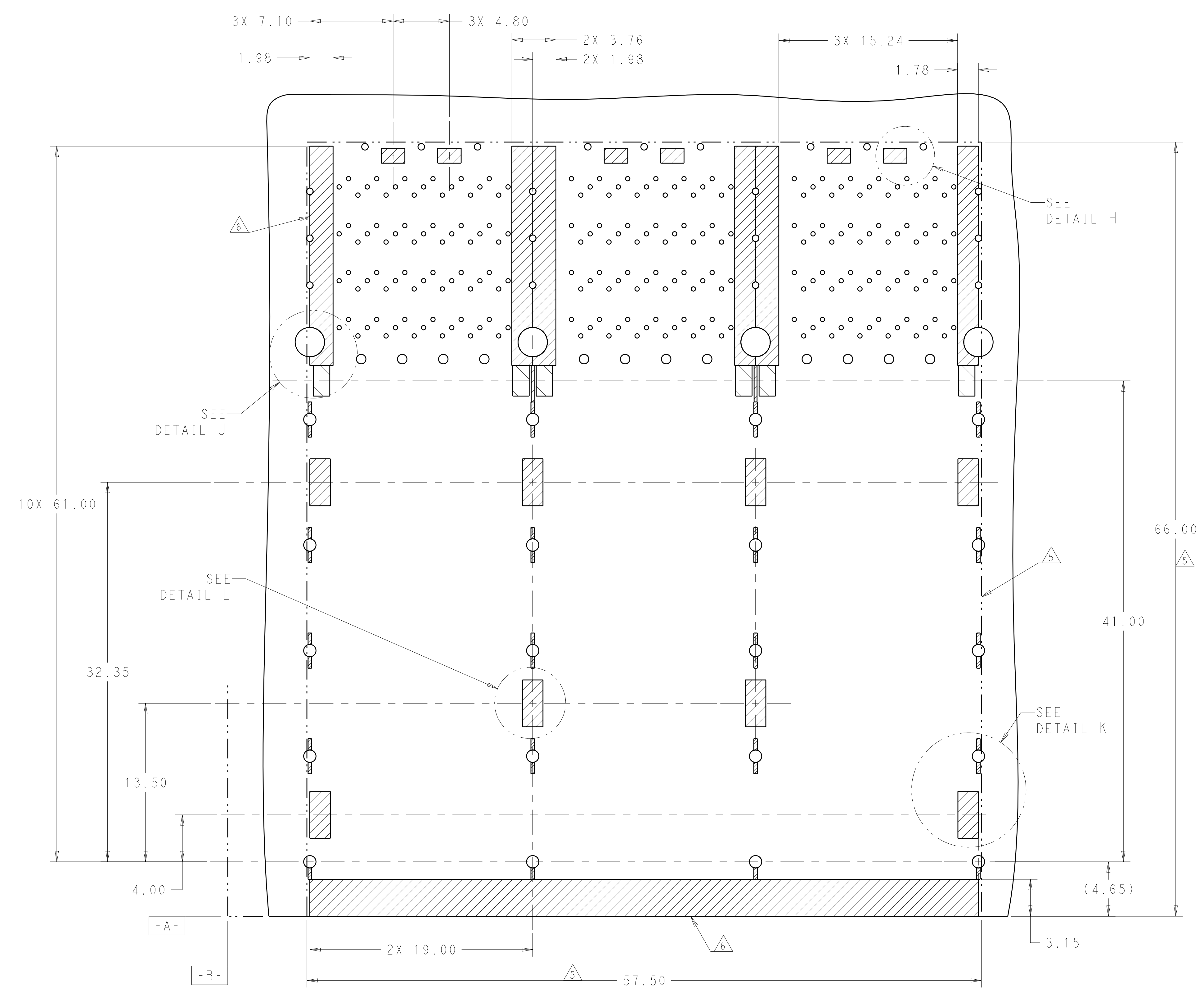
LOC	DIST	REVISIONS			
P.	LTH	DESCRIPTION	DATE	DWN	APVD
-	-	SEE SHEET 1	-	-	-



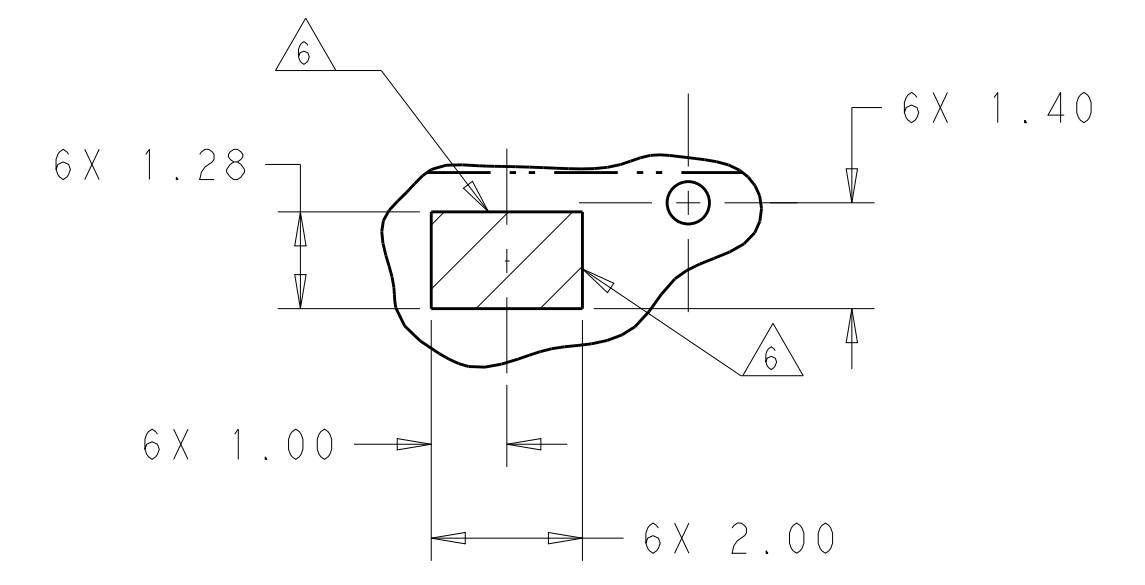
THIS DRAWING IS A CONTROLLED DOCUMENT.		DWN M. SHIRK 18JAN2013	TE Connectivity
DIMENSIONS: mm		CHK D. SZCZESNY 18JAN2013	
TOLERANCES UNLESS OTHERWISE SPECIFIED:		APVD	NAME
0 PLC	$\pm 0.25$	PRODUCT SPEC	CAGE AND CONNECTOR ASSEMBLY,
1 PLC	$\pm 0.15$	108-60102	WITH EMI SPRING, THRU BEZEL, 2X3,
2 PLC	$\pm 0.1$	APPLICATION SPEC	ZQSFP+ STACKED
3 PLC	$\pm 0.05$	SIZE	114-60015
4 PLC	$\pm 0.025$	WEIGHT	A100779C=2227671
ANGLES	$\pm 0.05$	CUSTOMER DRAWING	SCALE 4:1 SHEET 1 OF 6 REV A
MATERIAL	FINISH	RESTRICTED TO	
SEE NOTE 1	SEE NOTE 2		



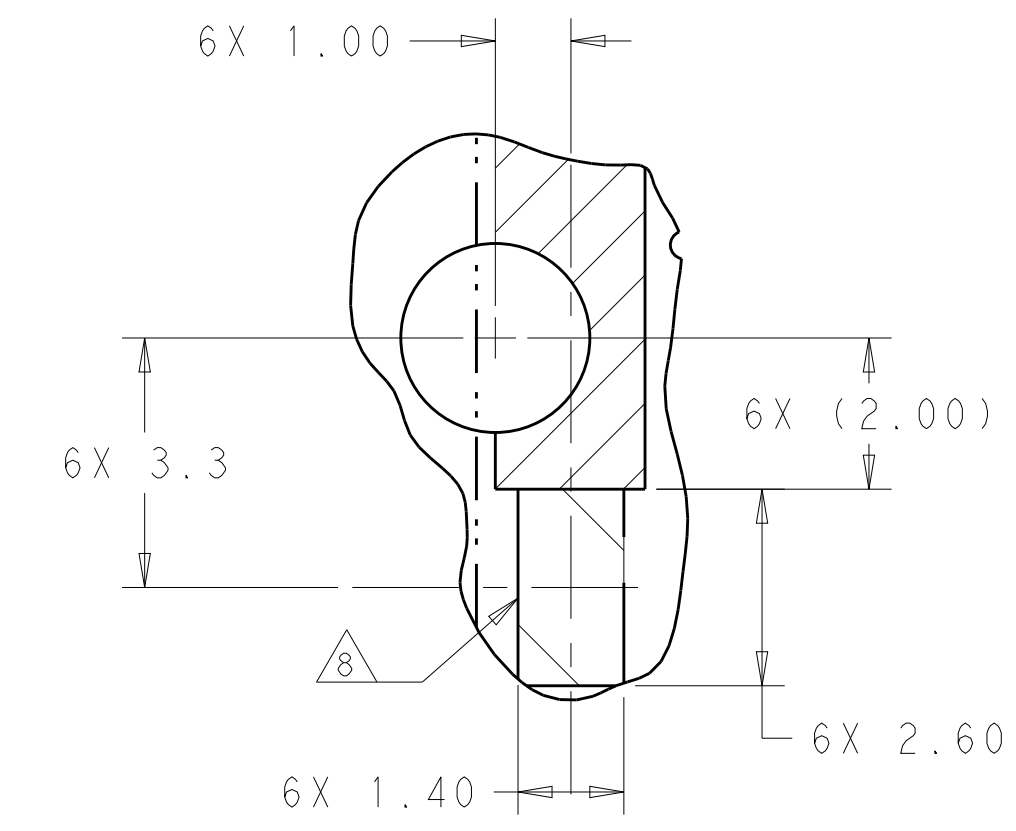
LOC		DIST		REVISIONS			
P.	LTN.	DESCRIPTION	DATE	DMN	APVD		
-	-	SEE SHEET 1	-	-	-		



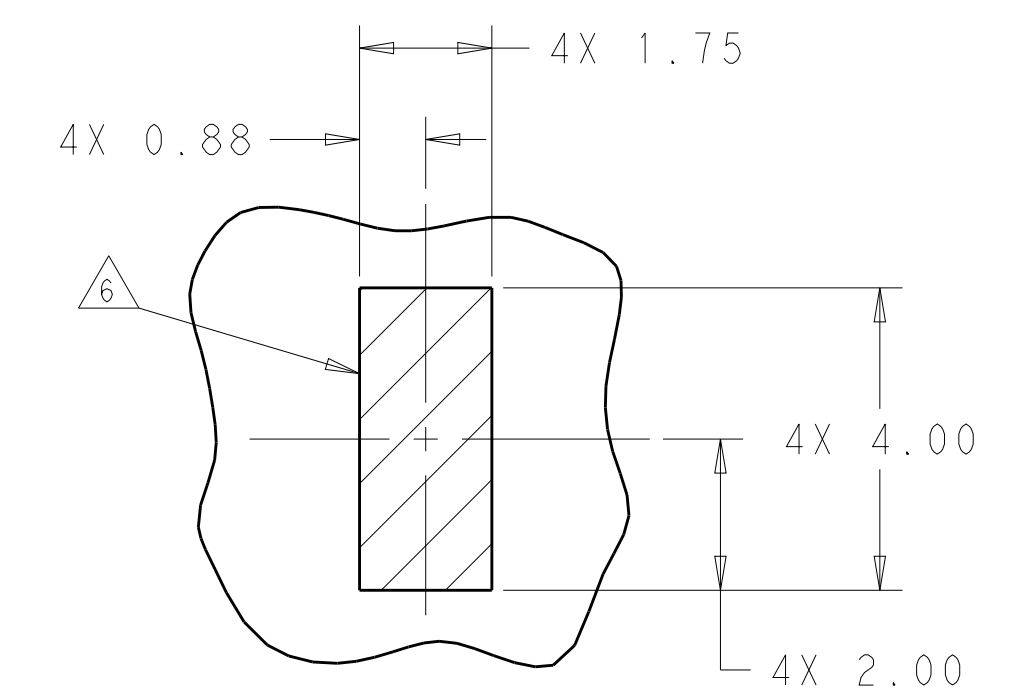
KEEPOUT AREAS COMPONENT  
 SIDE OF BOARD FOR 2 LP  
 SCALE 5:1



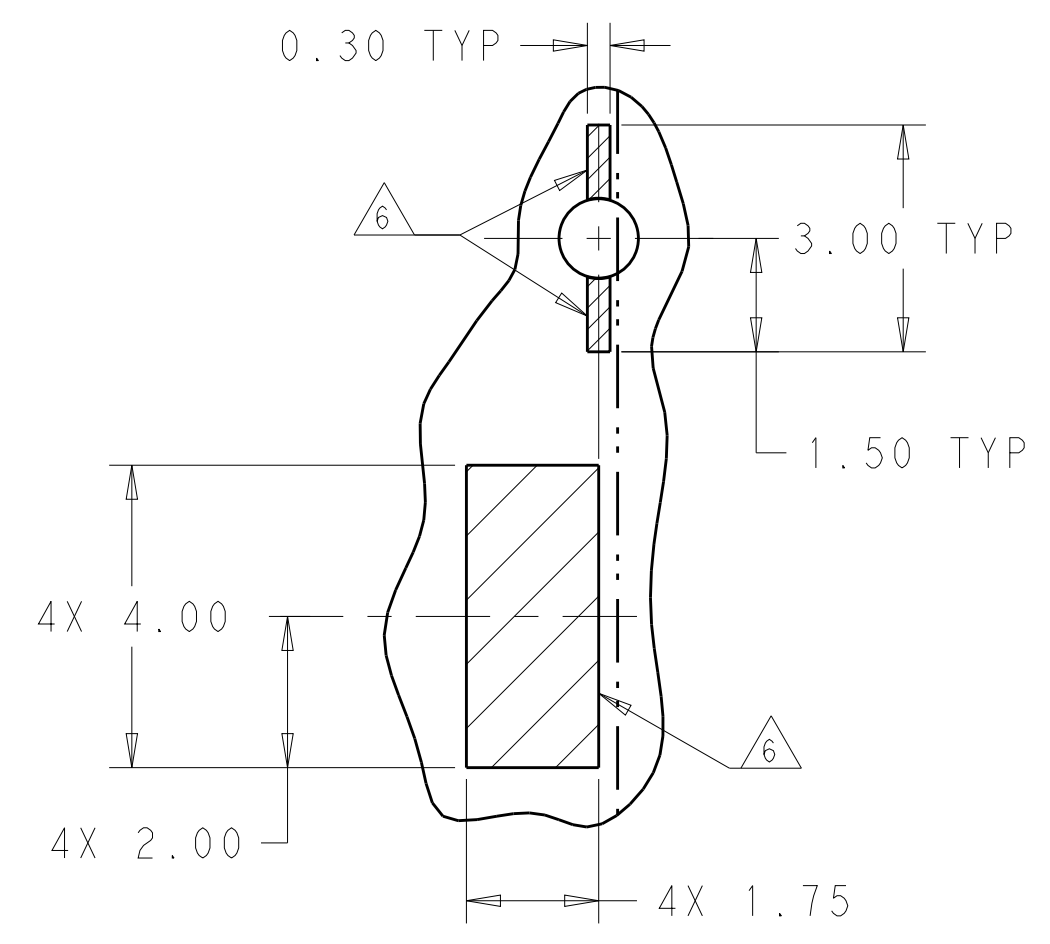
DETAIL H  
 SCALE 10:1



DETAIL J  
 LED PADS  
 SCALE 10:1



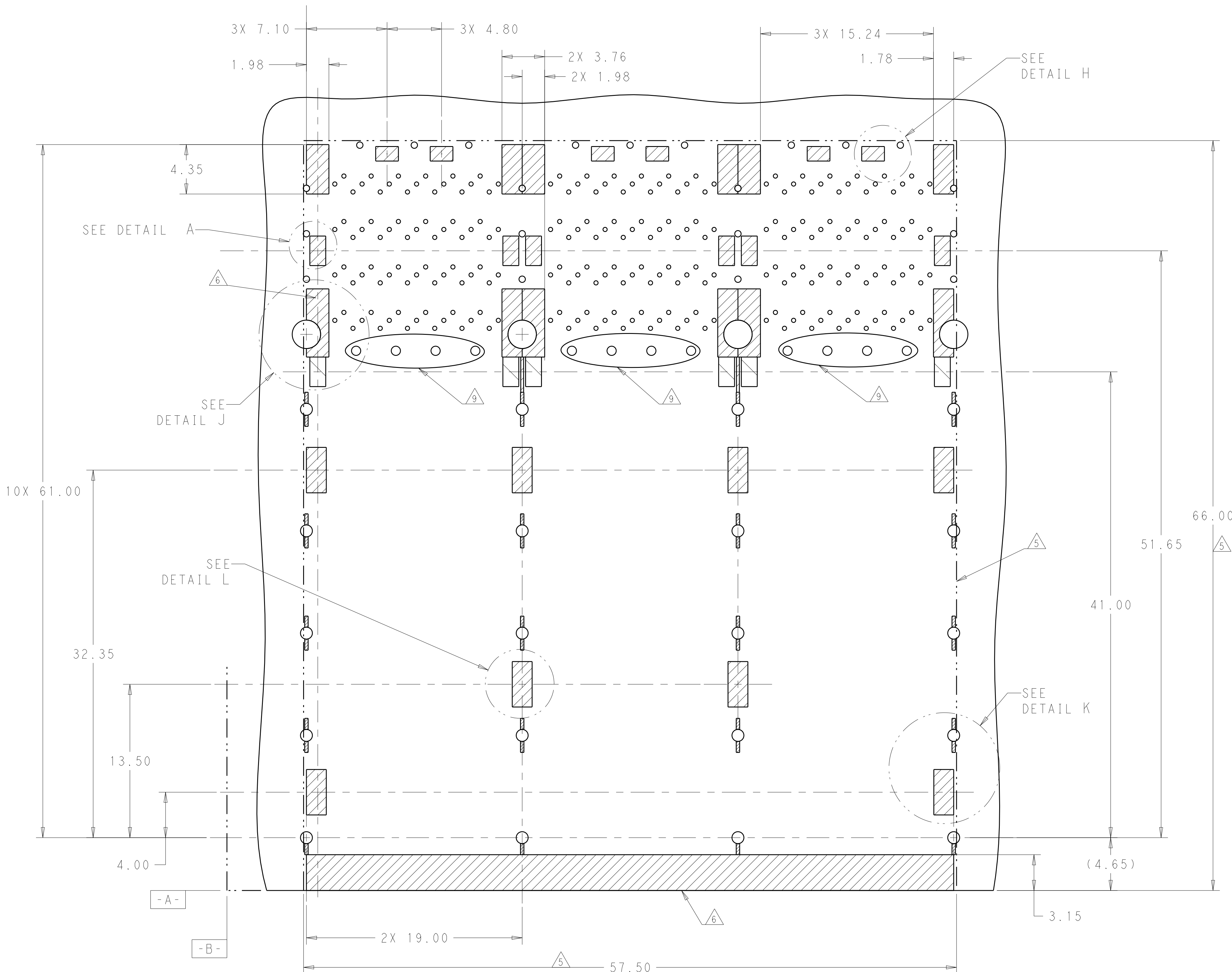
DETAIL L  
 SCALE 10:1



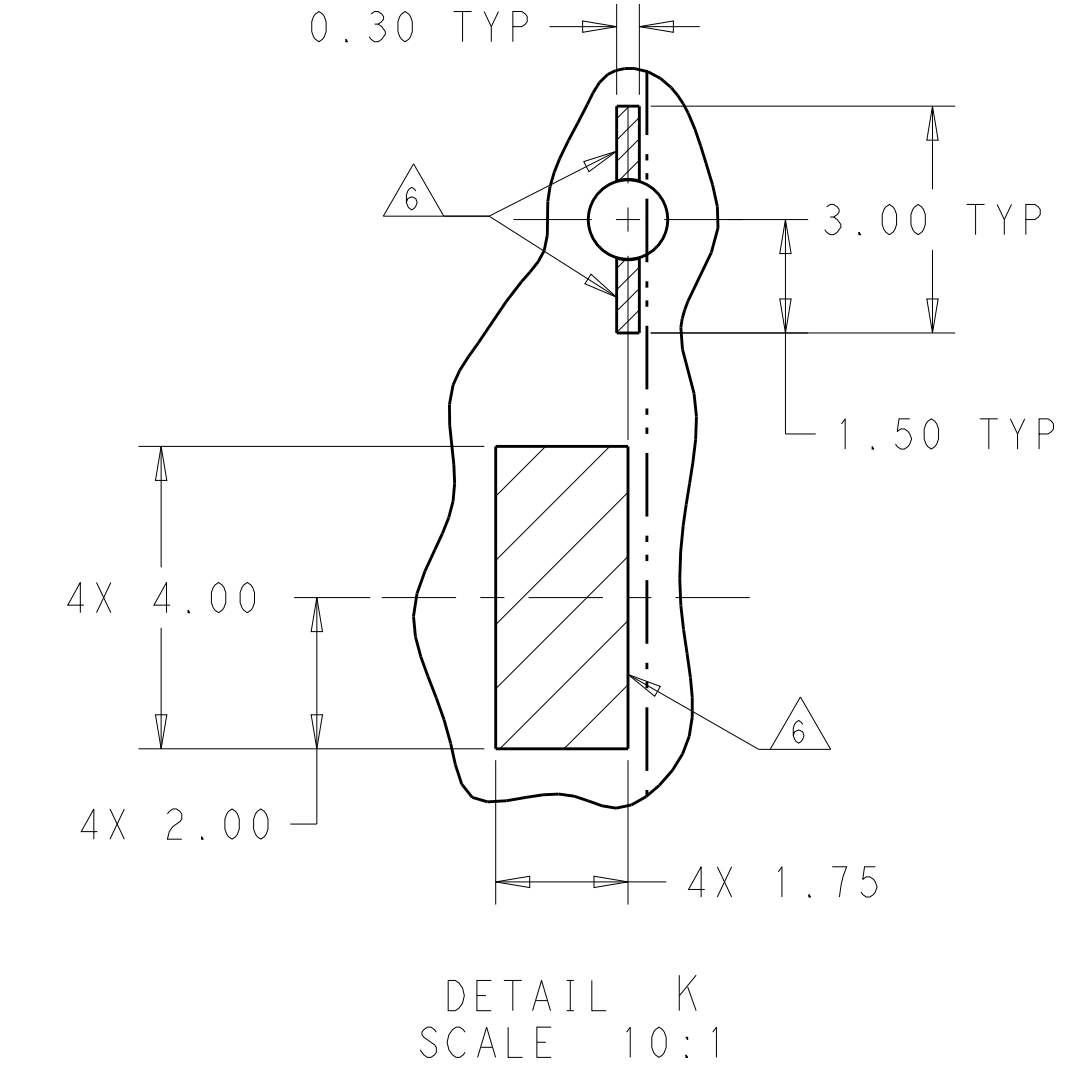
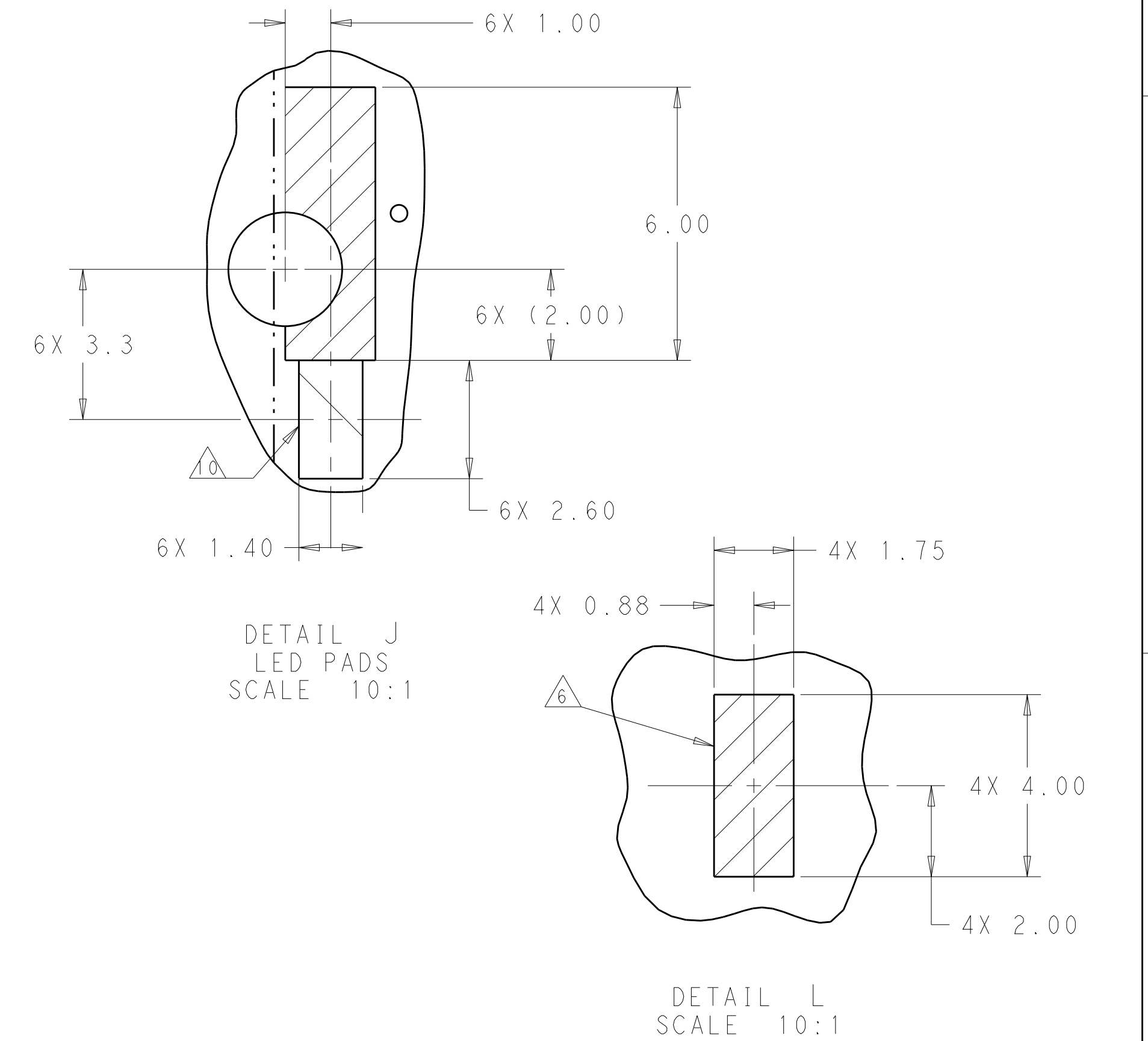
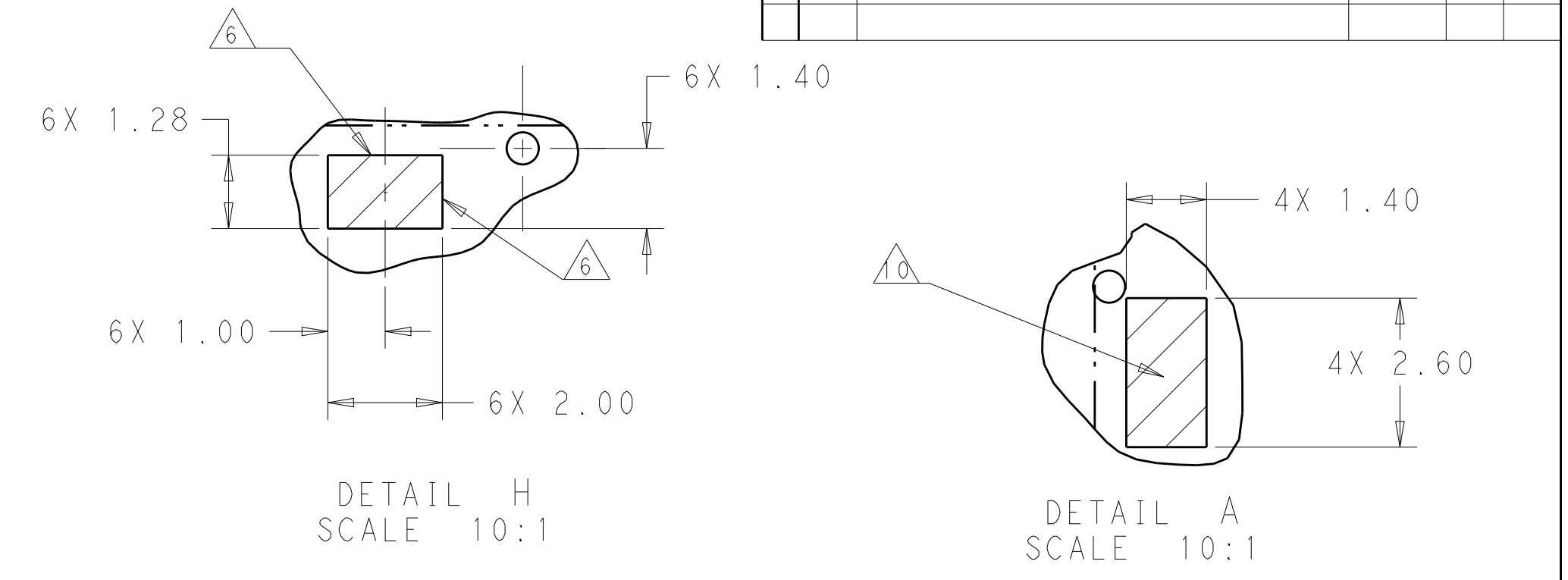
DETAIL K  
 SCALE 10:1

THIS DRAWING IS A CONTROLLED DOCUMENT.		DMN M. SHIRK 18JAN2013	NAME CAGE AND CONNECTOR ASSEMBLY, WITH EMI SPRING, THRU BEZEL, 2X3, ZQSPF+ STACKED
DIMENSIONS: mm		CHK D. SZCZESNY 18JAN2013	PRODUCT SPEC 108-60102
TOLERANCES UNLESS OTHERWISE SPECIFIED: 0 PLC ±0.25 1 PLC ±0.15 2 PLC ±0.15 3 PLC ±0.15 4 PLC ±0.15 ANGLES ±0.15		APVD	APPLICATION SPEC 114-60015
MATERIAL SEE NOTE 1		FINISH SEE NOTE 2	RESTRICTED TO A100779C=2227671
CUSTOMER DRAWING		SCALE 4:1	SHEET 1 OF 6 REV A

LOC	DIST	REVISIONS			
P	LTN	DESCRIPTION	DATE	DMN	APVD
-	-	SEE SHEET 1	-	-	-



KEEPOUT AREAS COMPONENT  
 SIDE OF BOARD FOR 4 LP  
 SCALE 5:1



THIS DRAWING IS A CONTROLLED DOCUMENT.		DMN M. SHIRK 18JAN2013	TE Connectivity NAME CAGE AND CONNECTOR ASSEMBLY, WITH EMI SPRING, THRU BEZEL, 2X3, ZQSFP+ STACKED
DIMENSIONS:		CHK D. SZCZESNY 18JAN2013	
mm	TOLERANCES UNLESS OTHERWISE SPECIFIED:	APVD	PRODUCT SPEC
0 PLC	±	108-60102	APPLICATION SPEC
1 PLC	±0.25	114-60015	WEIGHT
2 PLC	±0.15	SCALE 4:1	SHEET 1 OF 6
3 PLC	±	CUSTOMER DRAWING	REV A
4 PLC	±		
ANGLES	±		
MATERIAL	FINISH		
SEE NOTE 1	SEE NOTE 2		