



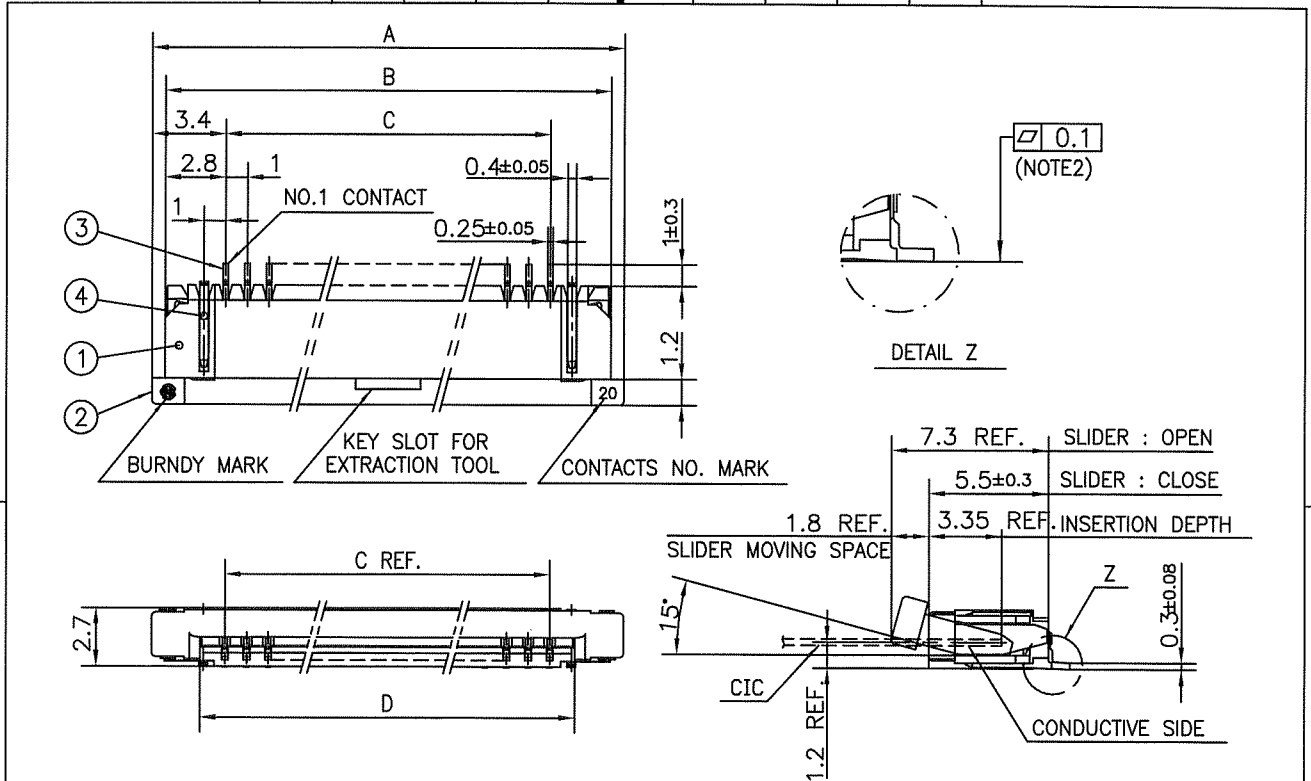
FCIconnect.com

Copyright FCI.

List of "SFW__R-5/6STZE1LF" customer document

DOCUMENT NO.	LIST
SC-SFW12	SPEC.
JSA97270	CAT.NO.TABLE FOR 1mm SPACING SMT CONNECTOR (SFW__R-5/6STZ__LF)
JSA97271	1mm SPACING SMT CONNECTOR (SFW__R-5STZ__LF)
JSA97272	1mm SPACING SMT CONNECTOR (SFW__R-6STZ__LF)
JSA97273	CAT.NO.TABLE FOR PLASTIC TAPE PACKAGED 1mm SPACING SMT CONNECTOR (SFW__R-5/6STZE1LF)
JSA97274	PLASTIC TAPE PACKAGED 1mm SPACING SMT CONNECTOR (SFW__R-5STZE1LF)
JSA97275	PLASTIC TAPE PACKAGED 1mm SPACING SMT CONNECTOR (SFW__R-6STZE1LF)
JSA91675	RECOMMENDED CABLE (CIC) (SFW__R-5/6ST__)

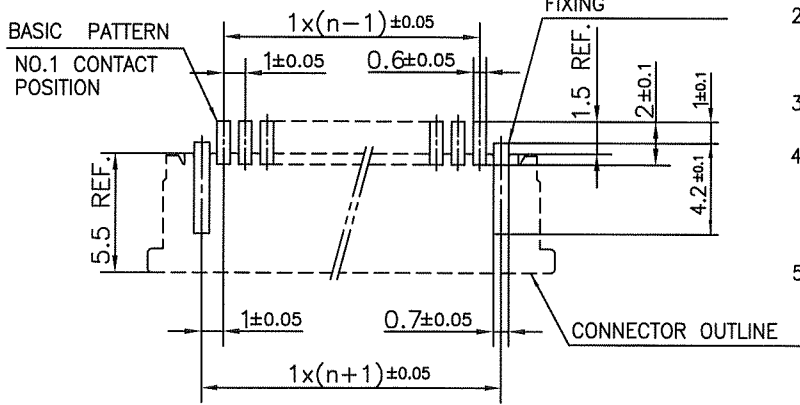
mat'l. code				surface ISO 1302 <input checked="" type="checkbox"/>		tolerance ISO 406 ISO 1101		projection 		product family 58RF		CODE JP	
ltr		ecn no		dr		date		tolerances unless otherwise specified		title		sheet 1 of 1 size	
A		J07-0086		H.T		2/5/07		angles		1mm SPACING CIC CONNECTOR DOCUMENT LIST (Cat. No. : SFW__R-5/6STZE1LF)		A4	
								linear		scale \propto		dwg no	
										JSA 97269		Product Customer Drawing	
sheet index		revision sheet		A		1						Rev A	



PT. NO.	PARTS NAME	MATERIAL	Q'TY	NOTE
1	HOUSING	PPS RESIN GLASS REINFORCED (UL94V-0)	1	COLOR:BROWN
2	SLIDER	PPS RESIN GLASS REINFORCED (UL94V-0)	1	COLOR:BEIGE
3	CONTACT	PHOSPHOR BRONZE	n	PLATING:THIN TIN
4	MOUNTING PLATE		2	PLATING:TIN

n : NO. OF CONTACTS

RECOMMENDED PC BOARD LAYOUT (COMPONENT SIDE)



NOTES

1. THIS PRODUCT IS THE CONNECTOR USED FOR CIC AND COPES WITH AUTOMATIC MOUNTING (SMT).
2. FLATNESS FOR CONTACT TERMINAL HOUSING MUST BE WITHIN TOLERANCE IN Z PORTION DETAILED DRAWING.
3. THIS PRODUCT IS LOWER CONTACT TYPE CONNECTOR.
4. THIS PRODUCT MEETS EUROPEAN UNION DIRECTIVES AND OTHER COUNTRY REGULATIONS AS DESCRIBED IN GS-22-008
5. THE HOUSING WILL WITHSTAND EXPOSURE TO 260°C PEAK TEMPERATURE FOR 10 SECONDS IN A REFLOW SOLDERING OVEN.

mat'l. code		surface		tolerance		projection		product family		CODE	
		ISO 1302		ISO 406		mm		58RF		JP	
ltr		ecn no		dr		date		title			
A		J07-0086		H.T		2/5/07		1mm SPACING SMT CONNECTOR			
								(Cat. No. SFW__R-5STZ__LF)			
								dwg no		sheet 1 of 1 size	
								JSA 97271		A4	
								type		Product Customer Drawing	
sheet index		revision		A						Rev	
sheet		1								A	



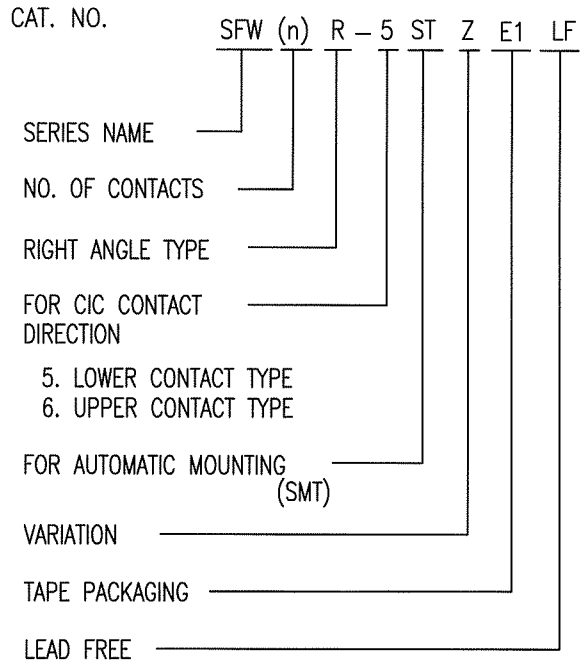
FCIconnect.com

Copyright FCI.



CAT. NO. & DIMENSIONS

NO. OF CONTACTS (n)	CAT. NO. (NOTE2)	DIMENSIONS (NOTE3)		
		E ± 5	F ± 0.3	G ± 0.1
4	SFW4R-5/6STZE1LF	20.4	16	—
5	SFW5R-5/6STZE1LF	28.4	24	—
6	SFW6R-5/6STZE1LF	28.4	24	—
7	SFW7R-5/6STZE1LF	28.4	24	—
8	SFW8R-5/6STZE1LF	28.4	24	—
9	SFW9R-5/6STZE1LF	28.4	24	—
10	SFW10R-5/6STZE1LF	28.4	24	—
11	SFW11R-5/6STZE1LF	28.4	24	—
12	SFW12R-5/6STZE1LF	28.4	24	—
13	SFW13R-5/6STZE1LF	36.4	32	28.4
14	SFW14R-5/6STZE1LF	36.4	32	28.4
15	SFW15R-5/6STZE1LF	36.4	32	28.4
16	SFW16R-5/6STZE1LF	36.4	32	28.4
17	SFW17R-5/6STZE1LF	48.4	44	40.4
18	SFW18R-5/6STZE1LF	48.4	44	40.4
19	SFW19R-5/6STZE1LF	48.4	44	40.4
20	SFW20R-5/6STZE1LF	48.4	44	40.4
21	SFW21R-5/6STZE1LF	48.4	44	40.4
22	SFW22R-5/6STZE1LF	48.4	44	40.4
23	SFW23R-5/6STZE1LF	48.4	44	40.4
24	SFW24R-5/6STZE1LF	48.4	44	40.4
25	SFW25R-5/6STZE1LF	48.4	44	40.4
26	SFW26R-5/6STZE1LF	48.4	44	40.4
27	SFW27R-5/6STZE1LF	48.4	44	40.4
28	SFW28R-5/6STZE1LF	60.4	56	52.4
29	SFW29R-5/6STZE1LF	60.4	56	52.4
30	SFW30R-5/6STZE1LF	60.4	56	52.4



NOTES

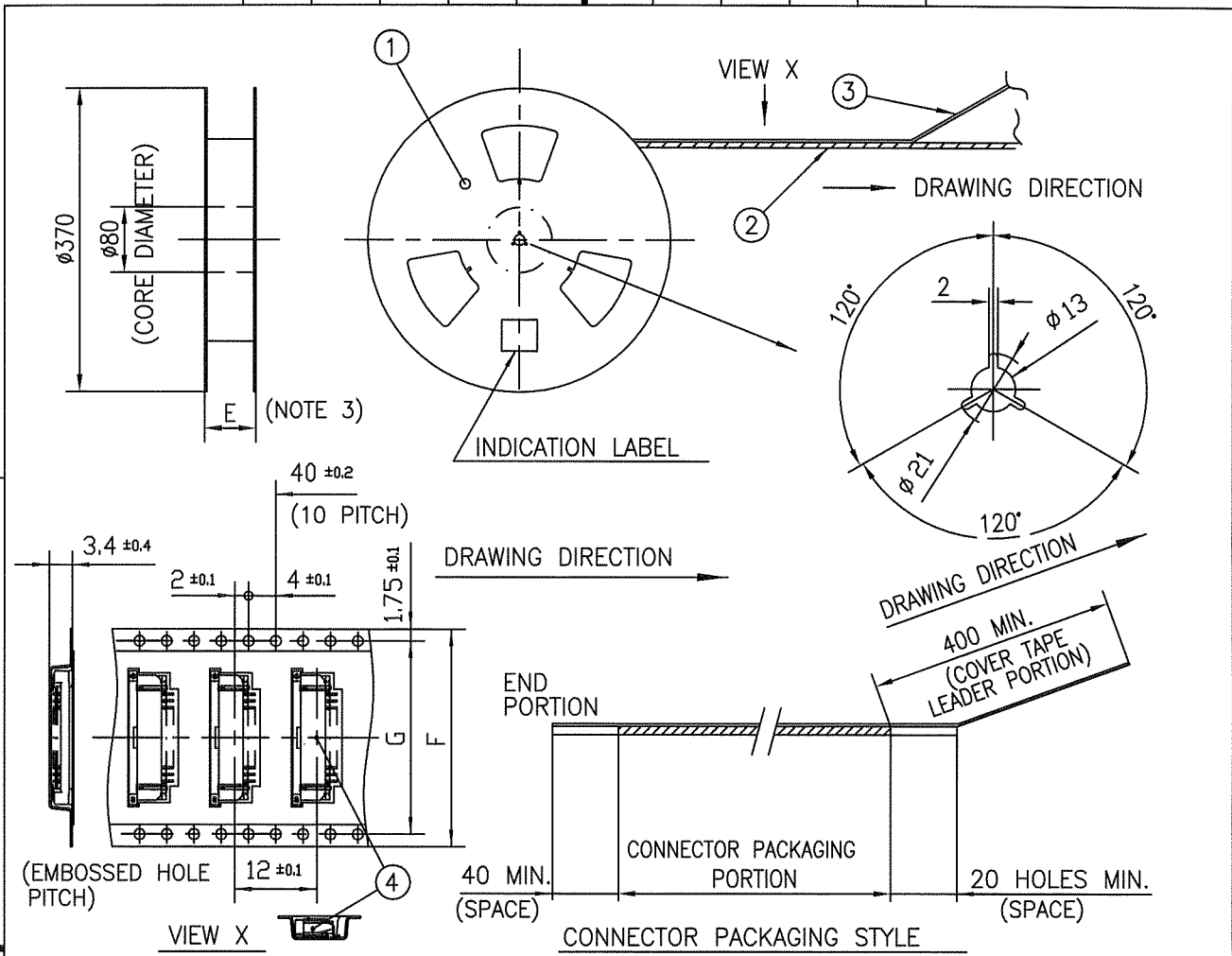
1. THIS PRODUCT IS THE CONNECTOR USED FOR CIC AND COPES WITH AUTOMATIC MOUNTING (SMT).
2. THIS CATALOG NO. INDICATES PLASTIC TAPE PACKAGED CONNECTOR.
3. SEE PART DRAWINGS FOR DIMENSIONS E~G.

mat'l. code				surface <input checked="" type="checkbox"/> ISO 1302 <input type="checkbox"/> tolerance <input checked="" type="checkbox"/> ISO 406 <input type="checkbox"/> ISO 1101		projection		product family 58RF		CODE JP		
ltr	ecn no	dr	date	tolerances unless otherwise specified		mm		title CAT. NO. TABLE FOR PLASTIC TAPE PACKAGED 1mm SPACING SMT CONNECTOR (CAT.NO. SFW__R-5/6STZE1LF)				
A	J07-0086	H.T.	2/5/07	angles	linear	scale \times		dwg no JSA 97273		sheet 1 of 1 size A4		
				dr	<i>[Signature]</i> 2/5/07				type Product Customer Drawing			
				enr	<i>[Signature]</i> 2/5/07							
				chr	<i>[Signature]</i> 2/5/07							
				appd	<i>[Signature]</i> 2/7/07							
sheet index	revision	A	sheet	1								Rev. A



FCIconnect.com

Copyright FCI.



PT. NO.	PARTS NAME	CAT. NO.	MATERIAL	Q'TY	NOTE
1	REEL	_____	CARDBOARD	1	COLOR:WHITE
2	PLASTIC (EMBOSS) TAPE	_____	PET	_____	COLOR:TRANSPARENCY
3	COVER	_____	POLYESTER	_____	COLOR:TRANSPARENCY
4	CONNECTOR	SFW__R-5STZ__LF	SEE ATTACHED DWG	2000	LOWER CONTACT TYPE

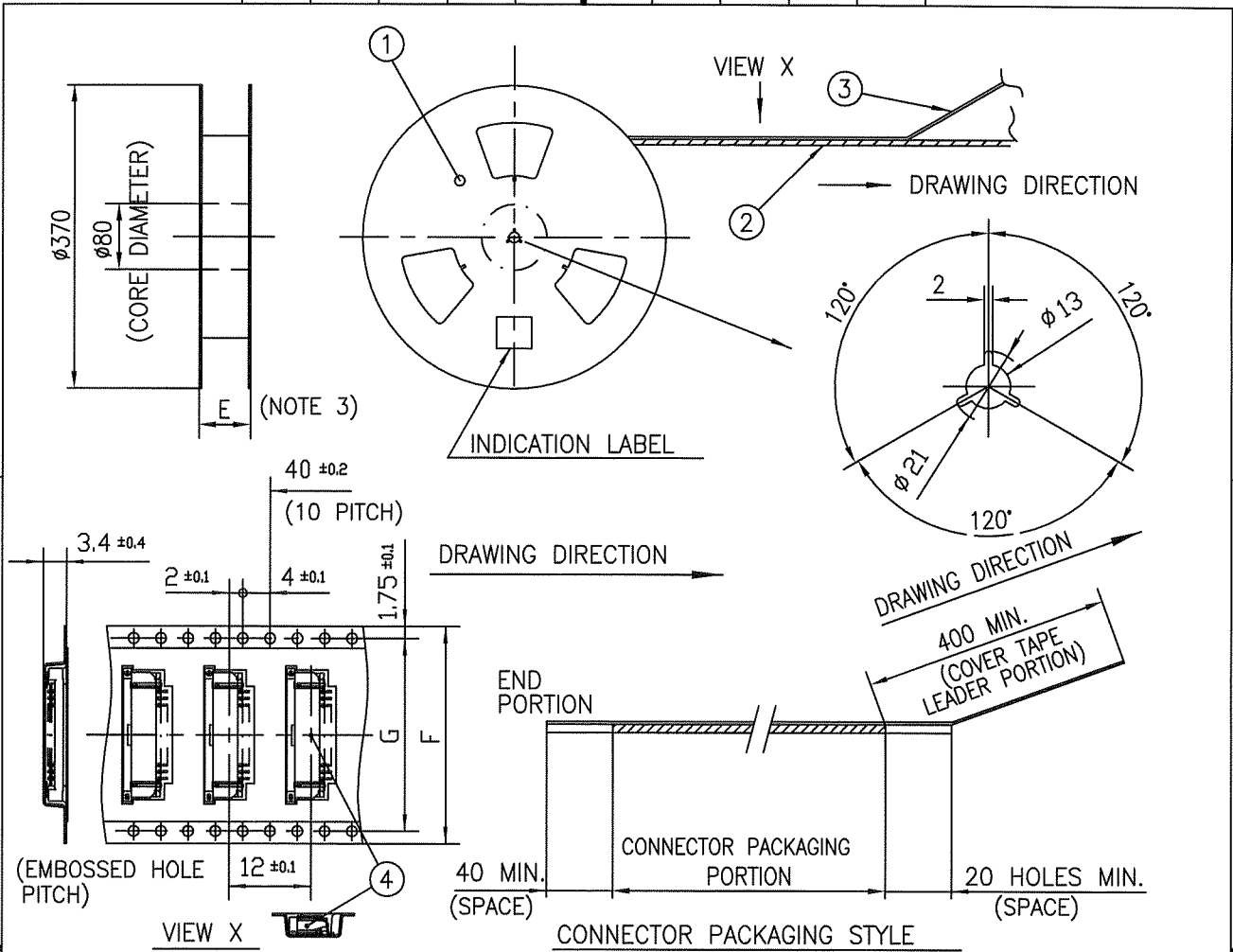
- NOTES
1. THIS IS PLASTIC TAPE PACKAGED CONNECTOR USED FOR CIC AND COPES WITH AUTOMATIC MOUNTING (SMT).
 2. SEE JIS C 0806 (PACKING OF ELECTRONIC COMPONENTS ON CONTINUOUS TAPES (SURFACE MOUNTING DEVICES)) FOR SHAPE AND DIMENSIONS OF PLASTIC (EMBOSS) TAPE AND REEL.
 3. E DIMENSION IS PORTION OF THE CORE.

mat'l. code		surface ISO 1302 ✓		tolerance ISO 408 ISO 1101		projection		product family 58RF		CODE JP	
ltr	ecn no	dr	date	tolerances unless otherwise specified		mm		title			
A	J07-0086	H.T.	2/5/07	angles	linear	mm		PLASTIC TAPE PACKAGED 1mm SPACING SMT CONNECTOR (CAT. NO. SFW__R-5STZE1LF)			
				±5°		scale		dwg no		sheet 1 of 1 size	
				dr	2/8/07	FCJ		JSA 97274		A4	
				enr	2/8/07			type Product Customer Drawing			
				chr	2/9/07						
				app	2/7/07						
sheet index	revision	A								Rev A	
	sheet	1									



FCIconnect.com

Copyright FCI.



PT. NO.	PARTS NAME	CAT. NO.	MATERIAL	Q'TY	NOTE
1	REEL	—	CARDBOARD	1	COLOR:WHITE
2	PLASTIC (EMBOSS) TAPE	—	PET	—	COLOR:TRANSPARENCY
3	COVER	—	POLYESTER	—	COLOR:TRANSPARENCY
4	CONNECTOR	SFW__R-6STZ__LF	SEE ATTACHED DWG	2000	UPPER CONTACT TYPE

NOTES

- THIS IS PLASTIC TAPE PACKAGED CONNECTOR USED FOR CIC AND COPEs WITH AUTOMATIC MOUNTING (SMT).
- SEE JIS C 0806 (PACKING OF ELECTRONIC COMPONENTS ON CONTINUOUS TAPES (SURFACE MOUNTING DEVICES)) FOR SHAPE AND DIMENSIONS OF PLASTIC (EMBOSS) TAPE AND REEL.
- E DIMENSION IS PORTION OF THE CORE.

mat'l. code		surface ISO 1302 <input checked="" type="checkbox"/> tolerance ISO 406 ISO 1101		projection	product family 58RF	CODE JP
ltr	ecn no	dr	date	tolerances unless otherwise specified	title	
A	J07-0086	H.T.	2/5/07	angles ±5°	PLASTIC TAPE PACKAGED 1mm SPACING SMT CONNECTOR (CAT.NO. SFW__R-6STZE1LF)	
				linear ±5°	mm	
				dr	scale	
				enr	FCI	dwg no sheet 1 of 1 size
				chr		JSA 97275 A4
				app		type Product Customer Drawing
sheet index	revision sheet	A	1			Rev. A



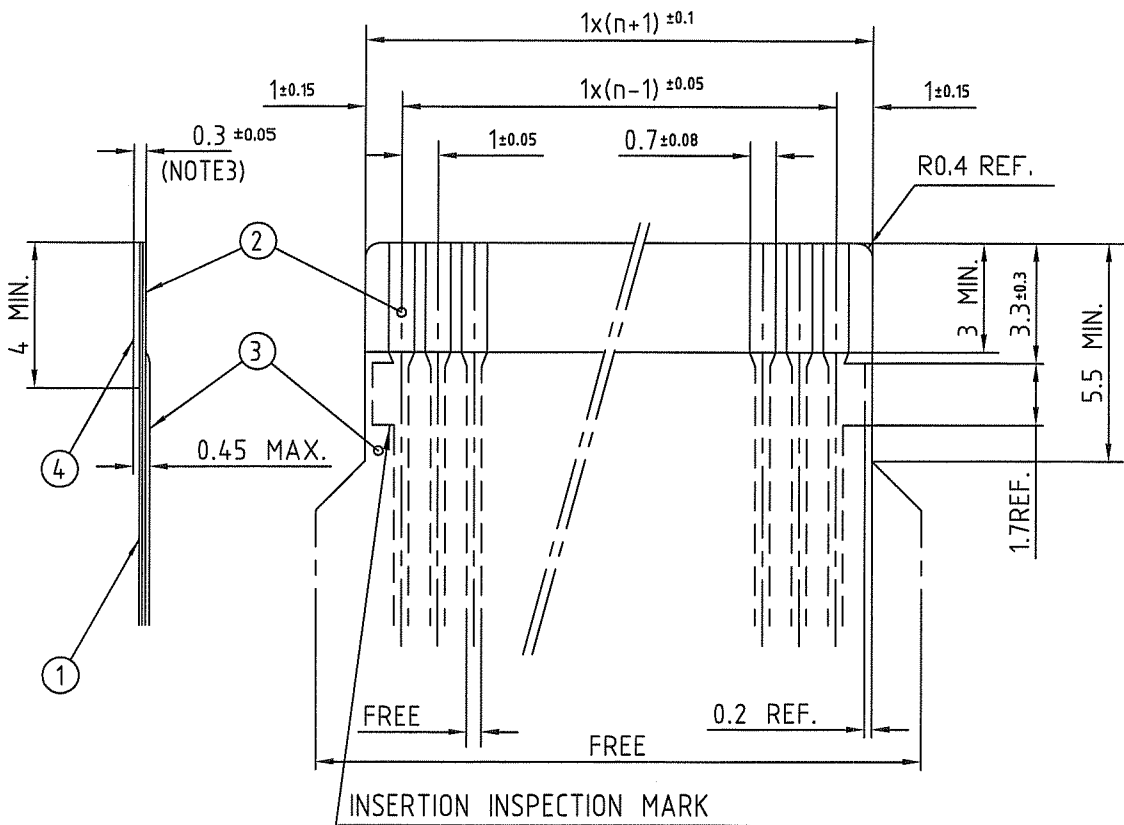
FCIconnect.com

Copyright FCI.



RECOMMENDED CABLE (CIC)

n:NO. OF CONDUCTOR



PT. NO.	PARTS NAME	MATERIAL	THICKNESS (um)	
1	BASE FILM	POLYESTER OR EQUAL	75	25
2	CONDUCTOR	CARBON PASTE OVER SILVER PASTE	10 MIN.	
3	OVERLAY	POLYIMIDE OR POLYESTER OR EQUAL	—	
4	SUPPORTING TAPE	POLYESTER OR POLYIMIDE OR EQUAL	188	250

- NOTES
1. NO BURR AT EACH PORTION.
 2. NO PEELING IN COMMON USE.
 3. TOTAL THICKNESS LIMIT OF EACH MATERIAL (INCLUDING ADHESIVE AGENT) IS SPECIFIED.

mat'l. code				surface 58 / tolerance ISO 1302 / ISO 406 / ISO 1101		projection		product family 58RF		CODE JP	
ltr ecn no dr date				tolerances unless otherwise specified		mm		title			
1 — — 4/12/'93				angles linear		mm		RECOMMENDED CABLE (Cat. No. SFW_R-5/6_)			
AA J05-0055 H.T 2/4/'05						scale X		dwg no sheet 1 of 1 size			
AB J06-0398 H.T 9/26/'06						FCJ		JSA 91675 A4			
AC J09-0363 M.Y 2009-10-8				dr H.YAMASHITA 2009-10-8				type Product Customer Drawing			
				enr M.YAMASHITA 2009-10-8							
				chr S. Nishida 2009-10-8							
				appd S. Nishida 2009-10-8							
sheet index		revision sheet		AC 1						Rev. AC	