

1

2

3

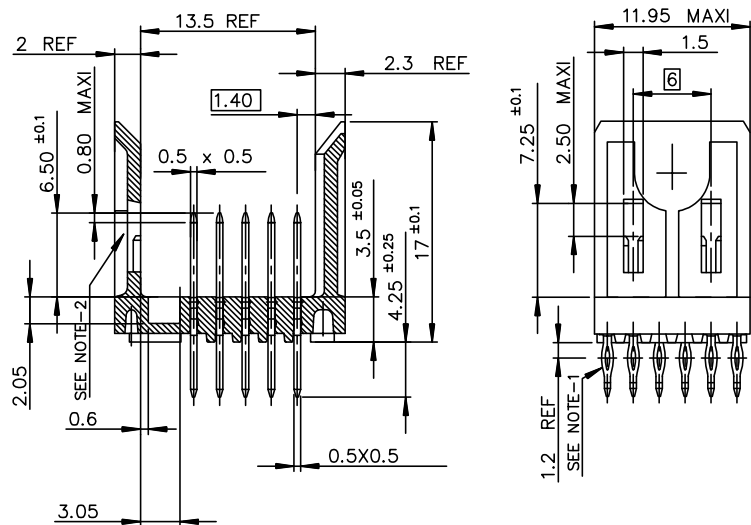
4

A

B

A

B



GENERAL CHARACTERISTICS AND ROHS INFORMATIONS:

SEE PRODUCT SPECIFICATION GS-12-445

NOTE-1: "EYE OF THE NEEDLE" PRESS-FIT PIN TYPE

NOTE-2: CAVITY FOR CODING KEY MOUNTING AND CABLE CONNECTOR LATCH.

NOTE-3: IF SUFFIX "P" IS ADDED IN P/N PACKAGING IS IN TRAYS BUT CONNECTOR MARKING IS WITHOUT "P"

EXAMPLE: HM1W51DPR400H6P, MARKED HM1W51DPR400H6

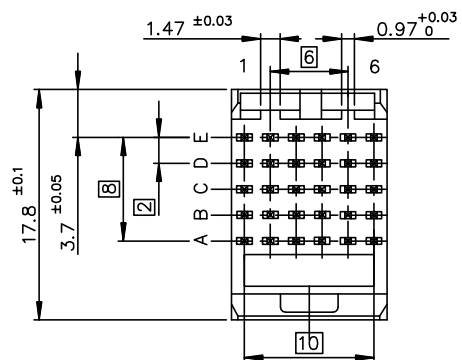
NOTE-4: INSERTION TOOLING ON PCB, SEE DRAWING REF C-8626-1002

NOTE-5: P.C.B HOLES DEFINITION - SEE GS-12-445

SPECIFIC DATAS:

Visual inspection : 100%

- Marking failures
- Housing material failures
- Spoilt housing
- Stained Housing
- Broken contacts ( twisted or loosen )



PART NUMBER

HM1W51DPR400H\*P(LF)

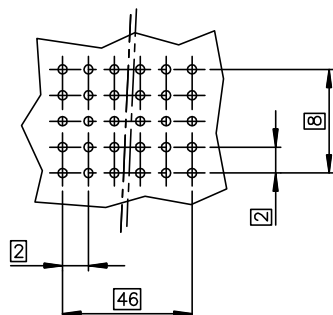
LF = FOR LEAD FREE PRODUCT

PLATING CODE:

6 = TELCORDIA CO

E = CUSTOMER SPECIAL, CONTACT 30u" GOLD SELECTIVE PLATING.

LAYOUT FOR P.C.B



European Views

www.fciconnect.com		surface ISO 1302 <input checked="" type="checkbox"/>	tolerance std ISO 406 ISO 1101	projection 	mm 
TOLERANCES UNLESS OTHERWISE SPECIFIED					
Dr	PERRICHOT	2001/01/25	ANGULAR	0.X	±0.1
Eng	LENOIR	2001/01/25	LINEAR	0.XX	±0.1
Chr	LEGARE	2001/01/25	0.XX' ±2	0.XXX	±0.1
Appr	LEGARE	2001/01/25	Product family	METRAL	Spec ref -
rev	ecn no	dr	date		
A	-	-	2001/01/25		
B	LS05-004	MLE	2005/02/22		
C	LS06-0095	LGO	2006/07/04		
D	LS07-0012	MLE	2007/03/28		
E	DG09-0367	TER	2009-11-25		
-	-	-	-		
-	-	-	-		



title METRAL STRAIGHT HEADER -22 WAY

SP 400

catalog no

dwg no

C-8626-11104

CUSTOMER sheet 1 of 1

Rev.

E



Copyright FCI.

D

D

1

2

3

4

PDM: Rev:E

STATUS: Released

Printed: Dec 09, 2009