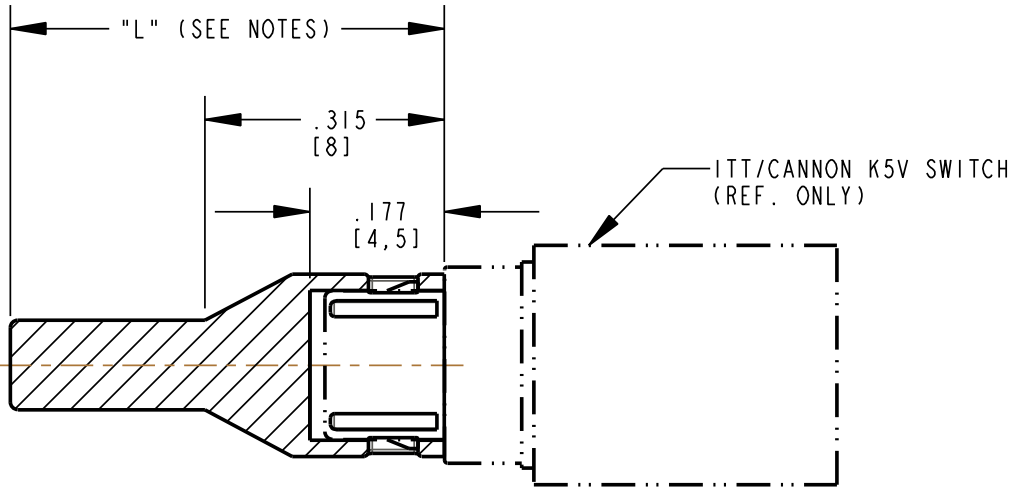
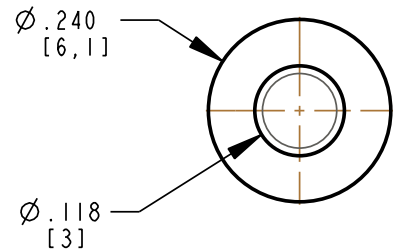
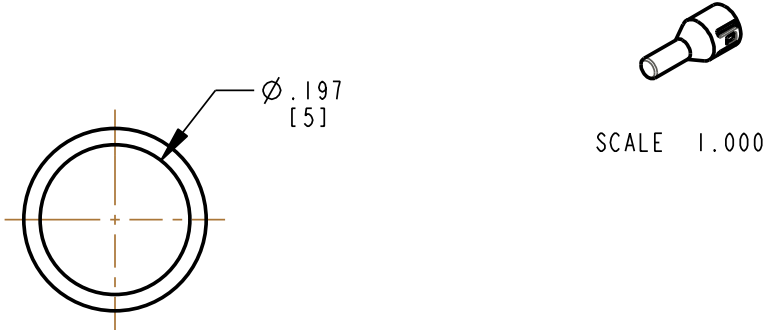
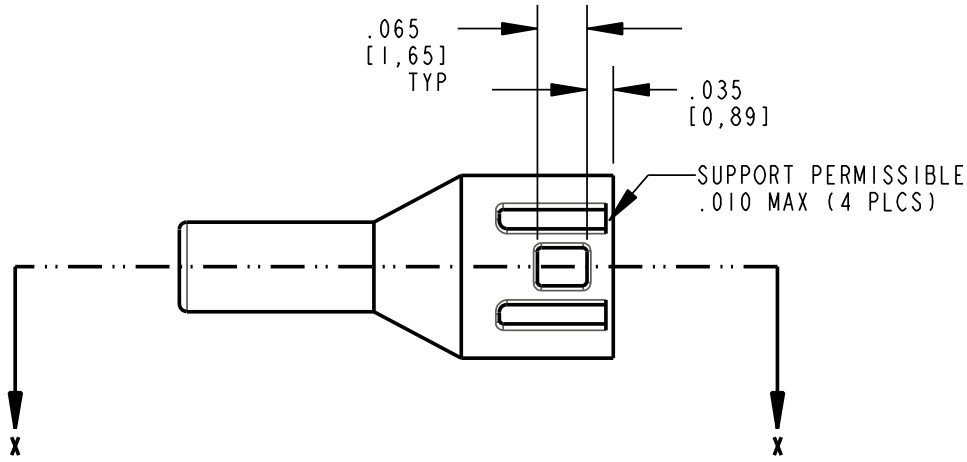


PART NUMBER TABLE			
DIALIGHT PART NUMBER	DIM "L"	DIALIGHT PART NUMBER	DIM "L"
—	.394 (10 mm)	—	.709 (18 mm)
—	.413 (10.5 mm)	—	.728 (18.5 mm)
—	.433 (11 mm)	—	.748 (19 mm)
—	.453 (11.5 mm)	—	.768 (19.5 mm)
—	.472 (12 mm)	—	.787 (20 mm)
—	.492 (12.5 mm)	—	.807 (20.5 mm)
—	.512 (13 mm)	—	.827 (21 mm)
—	.513 (13.5 mm)	—	.846 (21.5 mm)
—	.551 (14 mm)	—	.866 (22 mm)
515-1149-145F	.571 (14.5 mm)	—	.886 (22.5 mm)
—	.590 (15 mm)	—	.905 (23 mm)
—	.610 (15.5 mm)	—	.925 (23.5 mm)
—	.630 (16 mm)	—	.945 (24 mm)
—	.650 (16.5 mm)	—	.964 (24.5 mm)
—	.669 (17 mm)	—	.984 (25 mm)
—	.689 (17.5 mm)	—	—

REV	ECN NO	REVISIONS	DRN	CKD	APP	QA	CM	DATE
A	—	NEW RELEASE	ALV					



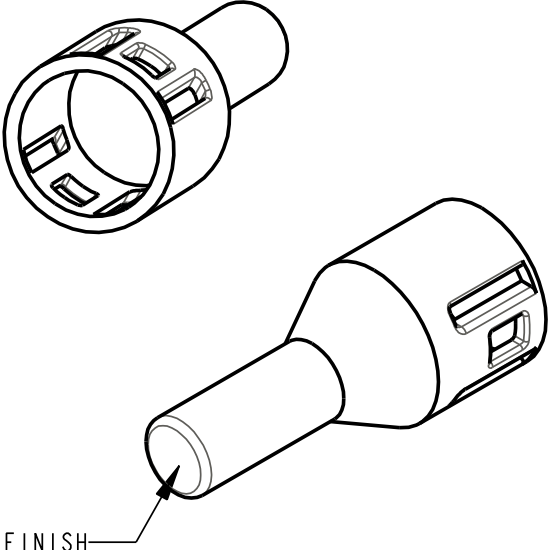
SECTION X-X



NOTES:

- VARIABLE LENGTH LIGHT PIPE ACTUATOR TO BE MOLDED IN A CLEAR, TRANSMISSIVE, 94-V0 POLYCARBONATE.
- LIGHT PIPE ACTUATOR SNAPS ONTO A K5V ITT/CANNON RIGHT ANGLE PUSH-BUTTON SWITCH.
- VARIABLE LENGTH LIGHT PIPE ACTUATOR IS BETWEEN 10mm MINIMUM AND 25mm MAXIMUM, BASIC PART NUMBER IS 515-1149-XXXX
 EXACT ACTUATOR PART NUMBER TO BE DETERMINED BY THE LENGTH IN mm (DIMENSION "L").
 EXAMPLE: AN ACTUATOR THAT HAS AN "L" DIMENSION OF 12mm WOULD BE 515-1149-120F. AN ACTUATOR THAT HAS AN "L" DIMENSION OF 19.5mm WOULD BE 515-1149-195F. LENGTHS MUST BE IN 0.5mm INCREMENTS. SEE PART NUMBER TABLE FOR EXACT PART NUMBERS.

- EACH LENGTH REQUIRES AND ADDITIONAL CORE PIN TOOLING CHARGE.
- IDENTIFICATION FOR PARTS DEEMED TO LOW FOR MARKING TO BE BAGGED AND LABELED WITH THE FOLLOWING INFO:
 P/N 515-1149-1XXF
 REVISION LEVEL: AS REQUIRED QUANTITY PER BAG: 100
 MOLDING DATE CODE: XX XX
 YR WEEK
 MANUFACTURER: DIALIGHT, COUNTRY OF ORIGIN: USA
 MATERIAL VENDOR & IDENTIFIER: >PC + FR<



RoHS Compliant 515-1149-XXXX Lightpipe Actuator
 Part Numbers with the "F" suffix ending are RoHS Compliant.
 Example: 515-1149-145F
 Packaging is marked with "RoHS Compliant" label or equivalent markings.

THIS DRAWING AND THE CONTENTS HEREIN ARE CONFIDENTIAL AND THE SOLE PROPERTY OF DIALIGHT. REPRODUCTION OF THIS DRAWING OR CONSTRUCTION OF ANY PARTS WITHIN THIS DRAWING ARE FORBIDDEN WITHOUT THE WRITTEN CONSENT OF DIALIGHT.		
SCALE: 4.000 ALL DIM'S IN: INCHES (MM)	DRAWING NUMBER C-17313	REV A
TOLERANCES: UNLESS OTHERWISE SPECIFIED FRACTIONS: ±1/64 DECIMALS (.XX): ±.01 DECIMALS (.XXX): ±.005 DECIMALS (.XXXX): ±.0005 ANGLES: ±1°	TITLE ACTUATOR, LIGHT PIPE, RoHS COMPLIANT	MATERIAL
FINISH:	Dialight	1501 ROUTE 34 SOUTH FARMINGDALE, NJ 07727
FSCM 83330	SHEET 1 OF 1	FAMILY TABLE: