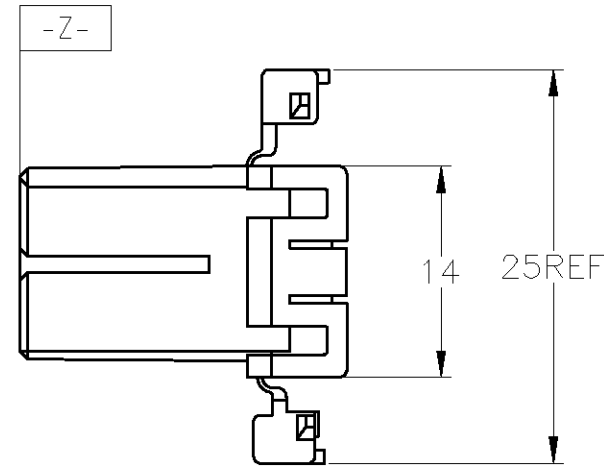
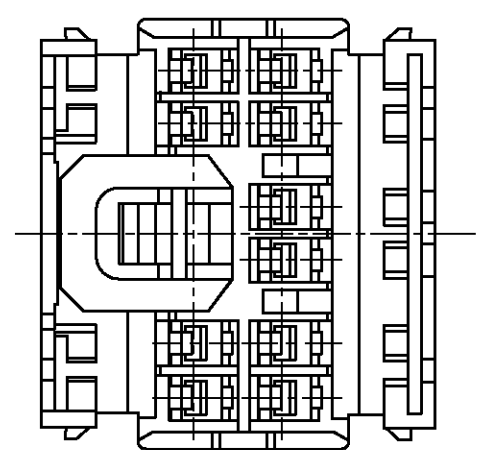
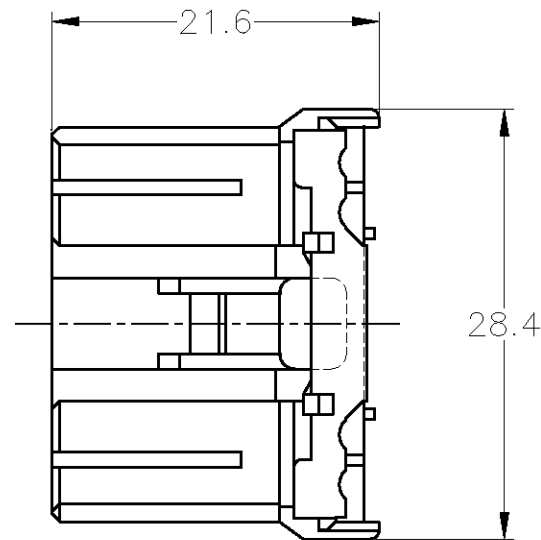
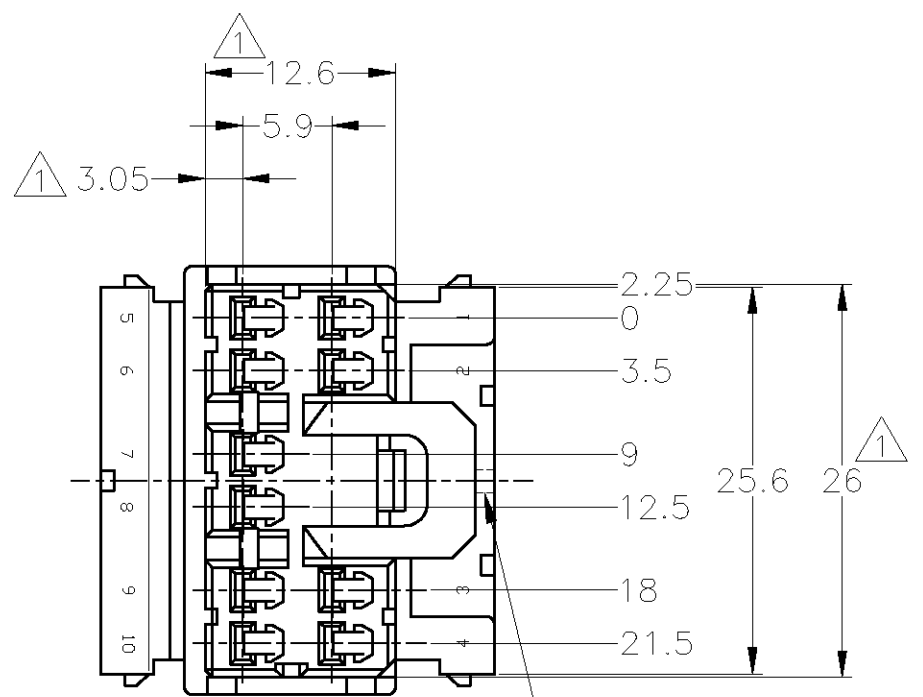


THIS DRAWING IS UNPUBLISHED. RELEASED FOR PUBLICATION
 © COPYRIGHT - By Tyco Electronics Japan G.K. ALL RIGHTS RESERVED.

LOC	DIST	REVISIONS					
J	-	P	LTR	DESCRIPTION	DATE	DWN	APVD
			F2	REVISED	ECR-12-021403	13DEC2012	TS KB



- △1. MUST BE KEPT BETWEEN -Z- AND 2
 - 2. APPLIED TAB CONTACT P/N; 173630, 173631
 - 3. APPLIED CAP HOUSING P/N; 174468
- △1. -Z- 面より 2mm の範囲で測定
 - 2. 内装するタブコンタクト型番 173630, 173631
 - 3. 嵌合相手ハウジング型番 174468

LOGO MARK
 ロゴマーク

OBSOLETE	オレンジ (ORANGE)	174465-8
	黄 (YELLOW)	174465-7
	灰 (GRAY)	174465-6
OBSOLETE	青 (BLUE)	174465-5
OBSOLETE	緑 (GREEN)	174465-4
	黒 (BLACK)	174465-2
	自然色 (NATURAL)	174465-1
	色 (COLOR)	型番 (PART NUMBER)

THIS DRAWING IS A CONTROLLED DOCUMENT.		DWN S.FUJITA 06AUG08	STE TE Connectivity	
DIMENSIONS: 単位: 耗 mm		CHK K.BETSUI 06AUG08		
TOLERANCES UNLESS OTHERWISE SPECIFIED: 一般公差		APVD K.BETSUI 06AUG08	NAME 名称 070 SERIES MULTILOCK I/O CONNECTOR 10POSITION PLUG HOUSING	
TOLERANCES UNLESS OTHERWISE SPECIFIED: 一般公差		PRODUCT SPEC 製品規格 108-5264	RESTRICTED TO	
MATERIAL 材料 PBT		FINISH 仕上 -	APPLICATION SPEC 取付適用規格 -	SCALE 尺度 2:1
10 ≥ : ±0.2 30 ≥ > 10 : ±0.25 100 ≥ > 30 : ±0.3 ANGLE : ±3°		WEIGHT 4.6 g	SIZE A3	CAGE CODE 00779
		CUSTOMER DRAWING	DRAWING NO 番号 C-174465	SHEET 1 OF 1
			REV F2	