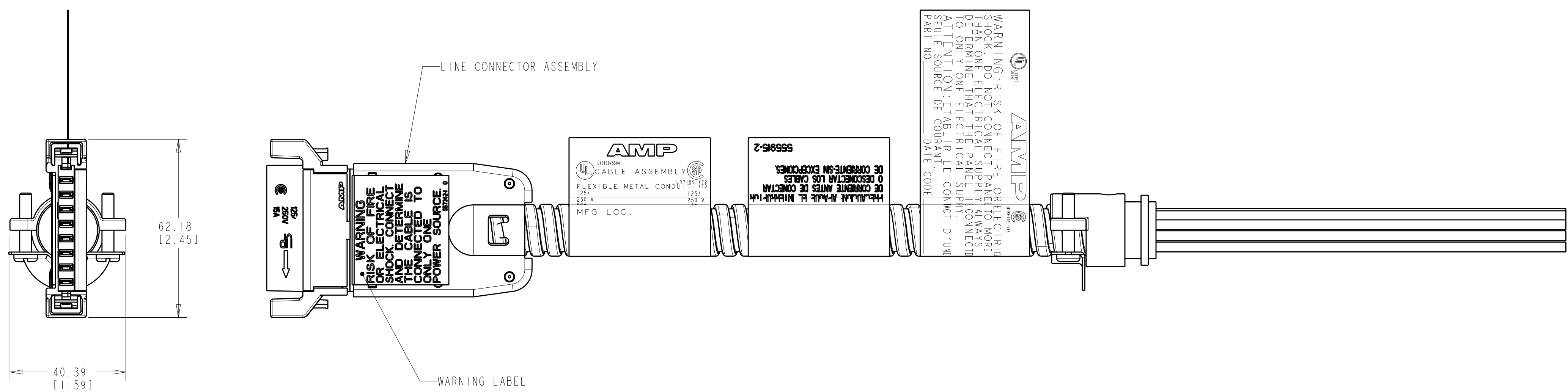
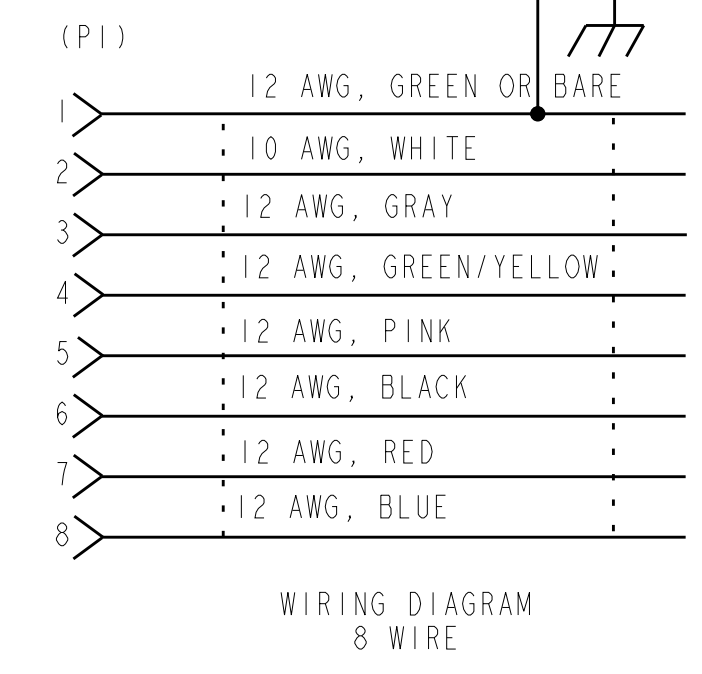
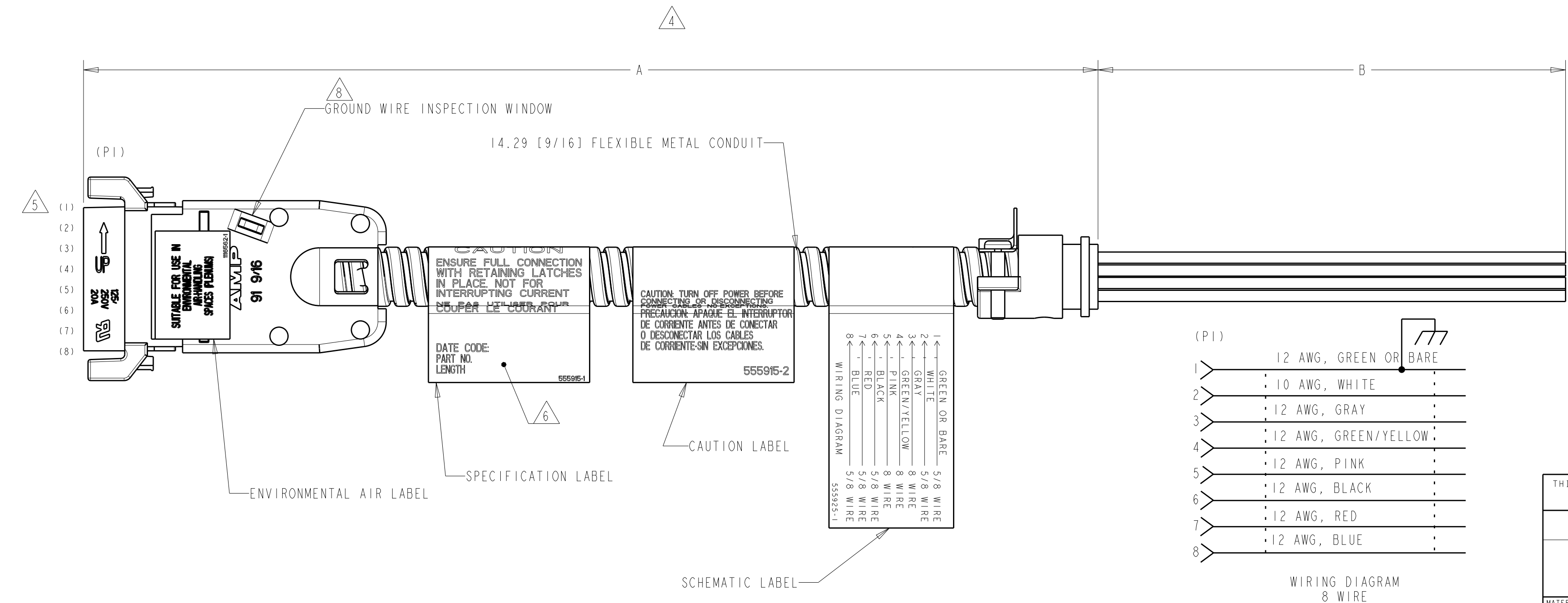
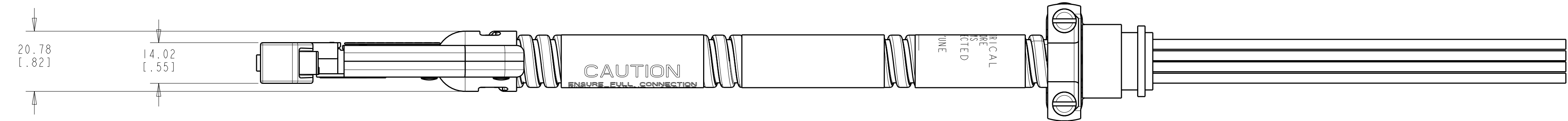


LOC	DIST	REVISIONS					
		P	LTN	DESCRIPTION	DATE	DWN	APVD
HM	00	N		REV PER ECO-12-020239	06DEC2012	JM	MS



- 1 ALL DIMENSIONS SHOWN ARE MAXIMUM UNLESS OTHERWISE SPECIFIED.
2. CABLE ASSEMBLY SHALL BE WIRED PER WIRING DIAGRAM.
- 3 MATERIAL:
 CONNECTOR HOUSINGS- POLYCARBONATE, 94V-0, BLACK
 STRAIN RELIEFS- CARBON STEEL WITH NICKEL PLATING 5.08µm [1.000200] MINIMUM THICK
 CONTACTS- COPPER ALLOY WITH SILVER PLATED STRIP 3.81µm [0.000150] MINIMUM THICK
- 4 DIMENSION A SHALL BE MEASURED WITH CONDUIT IN THE RELAXED POSITION.
- 5 DESIGNATIONS IN PARENTHESES () ARE FOR REFERENCE ONLY.
- 6 MANUFACTURING LOCATION, DATE CODE, PART NUMBER AND LENGTH SHALL BE INK STAMPED WHERE INDICATED.
7. APPLICATION: AMPINERGY - MODULAR POWER DISTRIBUTION SYSTEM, A MANUFACTURED WIRING SYSTEM.
- 8 USE GROUND WIRE INSPECTION WINDOW TO VERIFY BONDING AND GROUNDING CONDUCTOR.



Part No.	A DIM M [FEET]	B DIM M [FEET]
3-556148-1	15.24 [50.00]	
3-556148-2	12.19 [40.00]	
3-556148-0	9.14 [30.00]	
2-556148-5	7.62 [25.00]	
2-556148-0	6.10 [20.00]	
1-556148-5	4.57 [15.00]	
1-556148-0	3.05 [10.00]	
556148-5	1.52 [5.00]	
556148-4	1.22 [4.00]	
556148-3	0.91 [3.00]	
556148-2	0.61 [2.00]	
556148-1	0.30 [1.00]	

THIS DRAWING IS A CONTROLLED DOCUMENT.

DIMENSIONS: mm [INCHES]

TOLERANCES UNLESS OTHERWISE SPECIFIED:

0 PLC	±
1 PLC	±
2 PLC	±
3 PLC	±
4 PLC	±

FINISH: ±

WEIGHT: 114-6039

CUSTOMER DRAWING

DWN: J MCNEAL 09DEC2004
 CHK: F LINCOLN 09DEC2004
 APVD: F LINCOLN 09DEC2004

NAME: CABLE ASSEMBLY, LINE ENTRY, 8 WIRE

PRODUCT SPEC: 108-1234

APPLICATION SPEC: 114-6039

SIZE: A1

CAGE CODE: 00779

DRAWING NO: 556148

RESTRICTED TO: N

SCALE: 1:1

SHEET: 1 OF 1

REV: N