

5

4

3

2

1

DRAWING NO.

CMPC8821-CUST

REVISIONS

OFFICAL RELEASE

01

03-05-09

Z

G

B

Y

T

02

RELEASE FOR SUPPLIER ALTER

07-27-11

Y

G

Y

G

M

L

Description: Stright BNC Crimp Plug For RG58, RG59 Plenum Cable

Part No: CPMC8821

Application: For Cable RG-59&59TFE

Crimp Tool: 24-8857P for RG-58, 24-9859P for RG-59 Plenum

Impedance: 50 Ohms

Frequency Range: 0-4 GHz

Material: Body Zinc Nickel Plated

Contact Brass Gold Plated

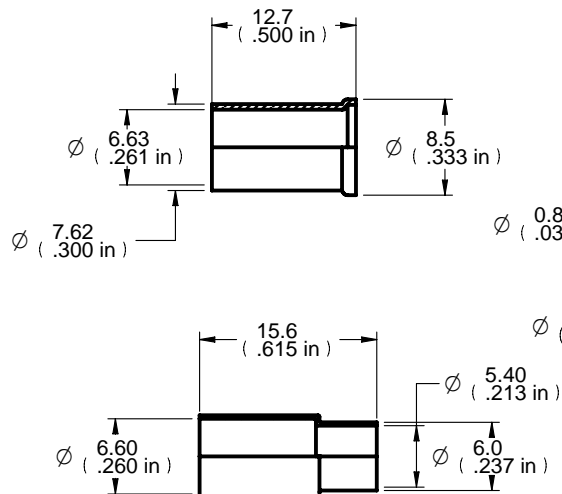
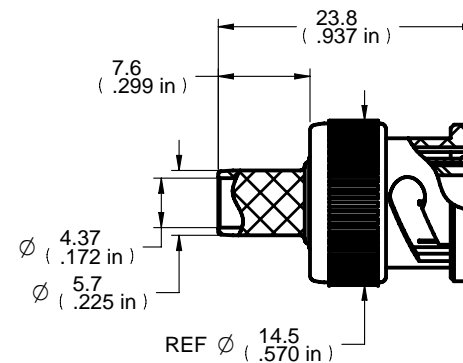
Insulator PTFE

Crimp Sleeve Brass Nickel Plated

Coupling Nut Zinc Nickel Plated

RoHS Compliance: Yes

Technical Detail: Refer to Emerson Document P/N 27-0000

**DIM OUTLINE**

CUSTOMER COPY

TOLERANCE UNLESS OTHERWISE SPECIFIED		DRAWN BY YUGE HU	DATE 07-27-11
DECIMALS	mm	CHECKED BY YUGE HU	DATE 07-27-11
X	+ 0.5	APPROVED BY LIN MA	DATE 07-27-11
X.X	+ 0.3	U/M	mm
X.XX	+ 0.1		
ANGLES	+ 0.5°		



TITLE
STRAIGHT BNC CRIMP PLUG
FOR RG58, RG59 PLENUM CABLE

SHEET
1 OF 1

DRAWING NO.
CPMC8821-CUST

SIZE
A

THIS DRAWING WAS PRODUCED BY COMPUTER,
DO NOT SCALE DRAWING OR UPDATE MANUALLY.

5

4

3

2

1

D

D

C

C

B

B

A

A