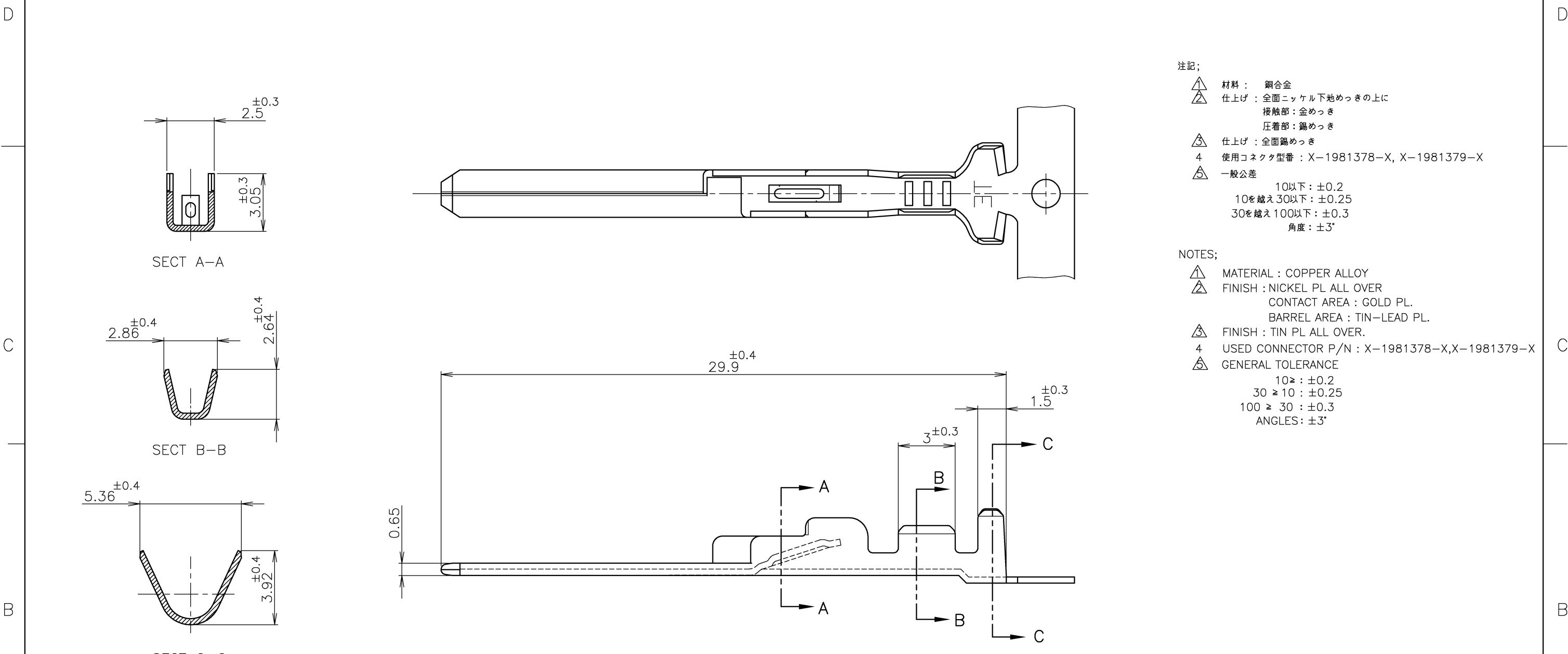


THIS DRAWING IS UNPUBLISHED. RELEASED FOR PUBLICATION  
 © COPYRIGHT BY TYCO ELECTRONICS CORPORATION. ALL RIGHTS RESERVED.

LOC	DIST	REVISIONS			
J		変更	DATE	DWN	APVD
		DESCRIPTION			
		B REVISED	19NOV2008	M.K	T.Y

注記;  
 △ 材料 : 銅合金  
 △ 仕上げ : 全面ニッケル下地めっきの上に  
 接触部 : 金めっき  
 圧着部 : 錫めっき  
 △ 仕上げ : 全面錫めっき  
 4 使用コネクタ型番 : X-1981378-X, X-1981379-X  
 △ 一般公差  
 10以下 : ±0.2  
 10を越え30以下 : ±0.25  
 30を越え100以下 : ±0.3  
 角度 : ±3°

NOTES;  
 △ MATERIAL : COPPER ALLOY  
 △ FINISH : NICKEL PL ALL OVER  
 CONTACT AREA : GOLD PL.  
 BARREL AREA : TIN-LEAD PL.  
 △ FINISH : TIN PL ALL OVER.  
 4 USED CONNECTOR P/N : X-1981378-X, X-1981379-X  
 △ GENERAL TOLERANCE  
 10 ≥ : ±0.2  
 30 ≥ 10 : ±0.25  
 100 ≥ 30 : ±0.3  
 ANGLES : ±3°



△	1-1981377-2
△	1981377-2
仕上げ FINISH	P/N

WIRE RANGE 絶合電線断面積	0.52~1.38mm <sup>2</sup> (AWG20~16)	INSULATION DIA 被覆外径	φ1.82~3.21 mm
-----------------------	-------------------------------------	------------------------	---------------

THIS DRAWING IS A CONTROLLED DOCUMENT.		DWN M.KATO	17APR2008	Tyco Electronics AMP K.K. Kawasaki, Japan														
		CHK T.YAMADA	17APR2008															
		APVD T.YAMADA	17APR2008	NAME 名称														
DIMENSIONS: 単位 : 耗 mm		TOLERANCES UNLESS OTHERWISE SPECIFIED: 一般公差		PLUG TAB CONTACT HYBRID MINI CT DRAWER POWER CONTACT														
<table border="1"> <tr><td>0 PLC</td><td>±</td><td rowspan="4">△</td></tr> <tr><td>1 PLC</td><td>±</td></tr> <tr><td>2 PLC</td><td>±</td></tr> <tr><td>3 PLC</td><td>±</td></tr> <tr><td>4 PLC</td><td>±</td><td></td></tr> <tr><td>ANGLES</td><td>±</td><td></td></tr> </table>		0 PLC	±		△	1 PLC	±	2 PLC	±	3 PLC	±	4 PLC	±		ANGLES	±		PRODUCT SPEC 製品規格 108-78473
0 PLC	±	△																
1 PLC	±																	
2 PLC	±																	
3 PLC	±																	
4 PLC	±																	
ANGLES	±																	
MATERIAL 材料		FINISH 仕上		APPLICATION SPEC 取付適用規格 114-5427														
△ 1		△ 2 △ 3		WEIGHT														
		CUSTOMER DRAWING		SIZE A3														
		SCALE 尺度 5:1		CAGE CODE 00779														
		DRAWING NO 番号 G-1981377		RESTRICTED TO														
		SHEET 1 of 1		REV B														