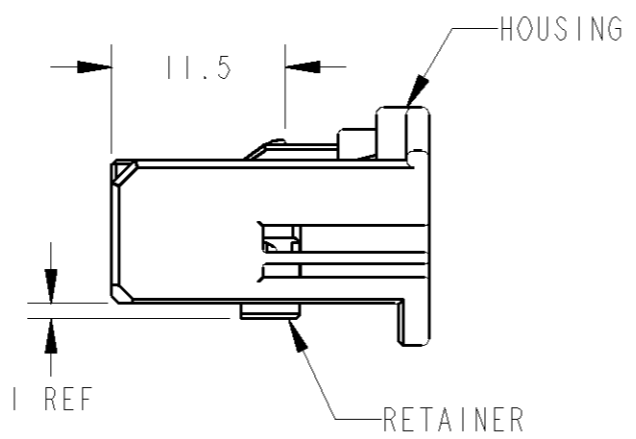
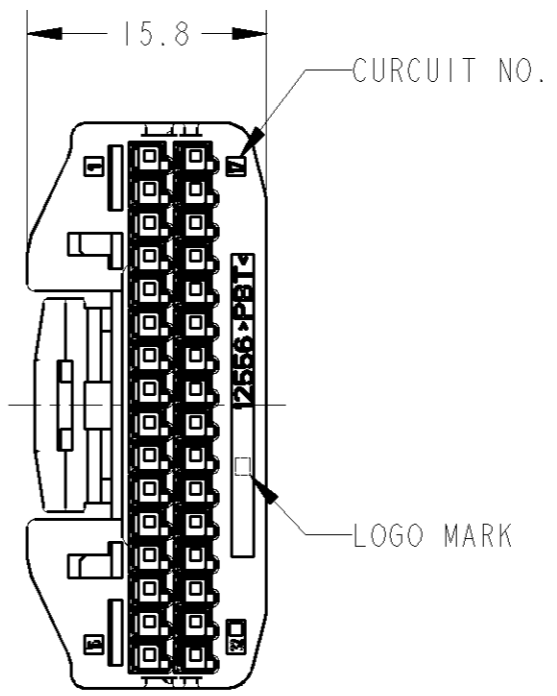
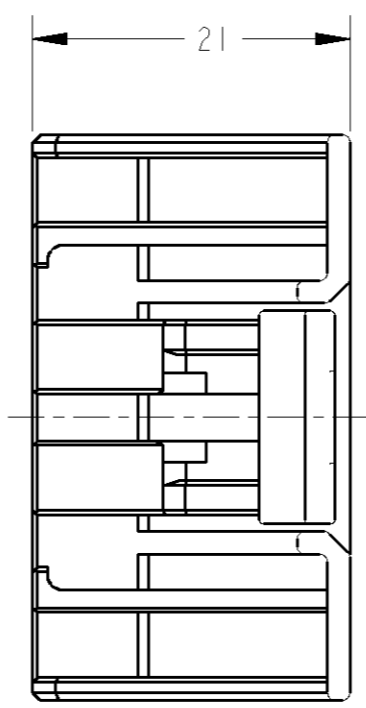
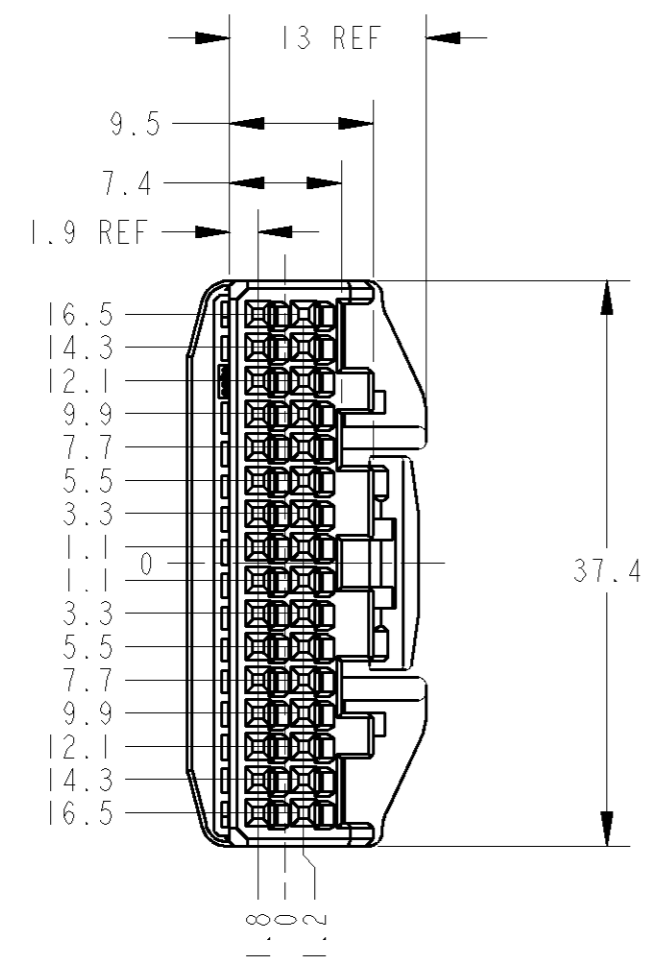


THIS DRAWING IS UNPUBLISHED. RELEASED FOR PUBLICATION 2004
 © COPYRIGHT 2004 BY TYCO ELECTRONICS CORPORATION. ALL RIGHTS RESERVED.

LOC	DIST	REVISIONS						
		P	LTR	DESCRIPTION	ECN	DATE	DWN	APVD
J	-		O	作成 RELEASED	FJA0-0067-04	26JAN04	SA	KA
			A	REVISED	ECR-10-007504	21MAY10	TS	KB
			AI	REVISED	ECR-10-012245	18JUN10	KF	HY



1. RETAINER SHOULD BE SENT TO THE PRE-ASSEMBLY.
2. INSTRUCTION SHEET NO. 411-78080.
3. PART NUMBER OF CAP HOUSING TO BE MATED : SEE TABLE-1
4. APPLIED TERMINALS : SEE TABLE-2

1. プラグハウジングにリテーナを仮係止して出荷される
2. 取扱説明書NO. 411-78080
3. 嵌合相手型番 : TABLE-1参照
4. 適用端子 : TABLE-2参照

TABLE-1

POS 極数		CAP ASSEMBLY PART NO. キャップ 型番
32	W-W	1473799
	W-B	1318745

TABLE-2

	TERMINAL NO. 端子型番	APPELVABLE WIRE RANGE 適用電線
0.64111 SIGNAL	TIN	1674311-1
	SELECTIVE GOLD	1674311-2
	TIN	1674936-1
	SELECTIVE GOLD	1674936-2
		AVSS/CAVS/CAVUS/AVSSH-f 0.3~0.5mm ²
		CAVS/CAVUS/CHFUS 0.22mm ² CAN 0.22mm ²

PAPER BOX ダンボール	PLASTIC BAG ビニール袋	NATURAL	1717118-1
OUTER 外装	INNER 内装	COLOR	PART NUMBER
PACKING STYLE 梱包形態			

THIS DRAWING IS A CONTROLLED DOCUMENT FOR TYCO ELECTRONICS CORPORATION
 IT IS SUBJECT TO CHANGE AND THE CONTROLLING ENGINEERING ORGANIZATION
 SHOULD BE CONTACTED FOR THE LATEST REVISION.

DIMENSIONS:
単位: 概
mm

TOLERANCES UNLESS
OTHERWISE SPECIFIED:

一般公差 ±0.3
 0-PLC ±
 1-PLC ±0.1
 2-PLC ±0.01
 3-PLC ±0.001
 4-PLC ±0.0001
 ANGLES ±3'00"

MATERIAL 材料 PBT FINISH 仕上 SEE TABLE

DWN S. AMEMIYA 26JAN04
 CHK H. YAMAGAMI 26JAN04
 APVD K. ASAI 26JAN04

NAME 名称
0.64111 32P PLUG HSG ASSEMBLY

PRODUCT SPEC 製品規格 108-5931
 APPLICATION SPEC 取付適用規格 114-5329

WEIGHT 4.9 g

SIZE A3 CAGE CODE 00779 DRAWING NO. 1717118 RESTRICTED TO -

CUSTOMER DRAWING SCALE 尺度 2:1 SHEET 1 OF 1 REV AI

Tyco Electronics Corporation
Kawasaki, Japan