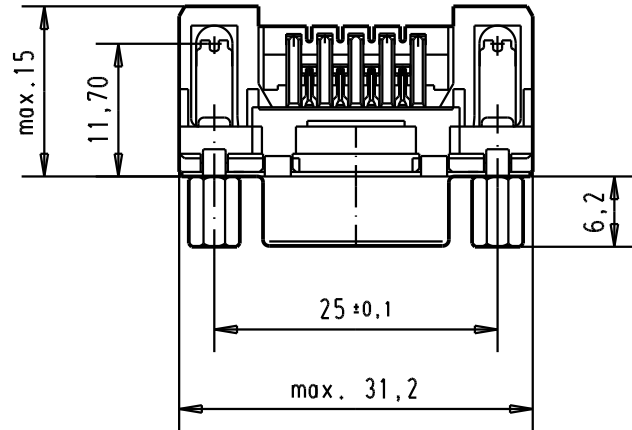
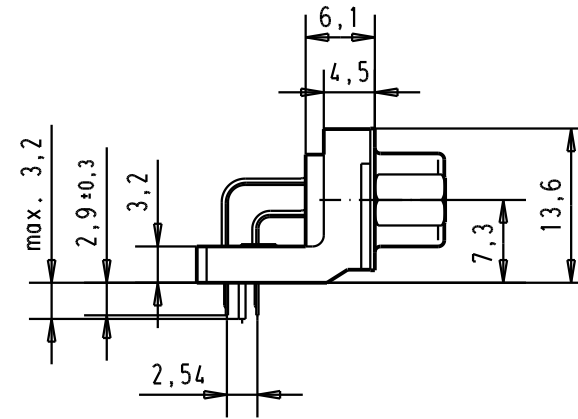
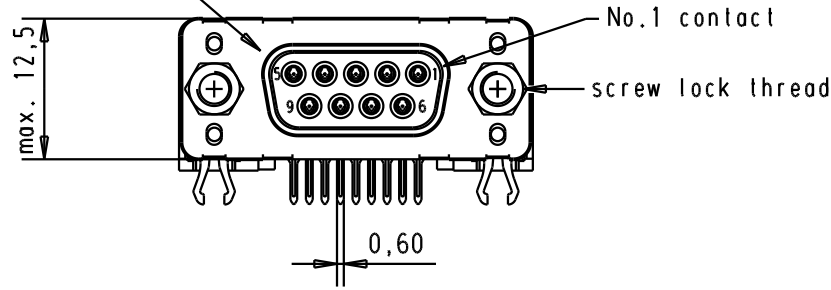
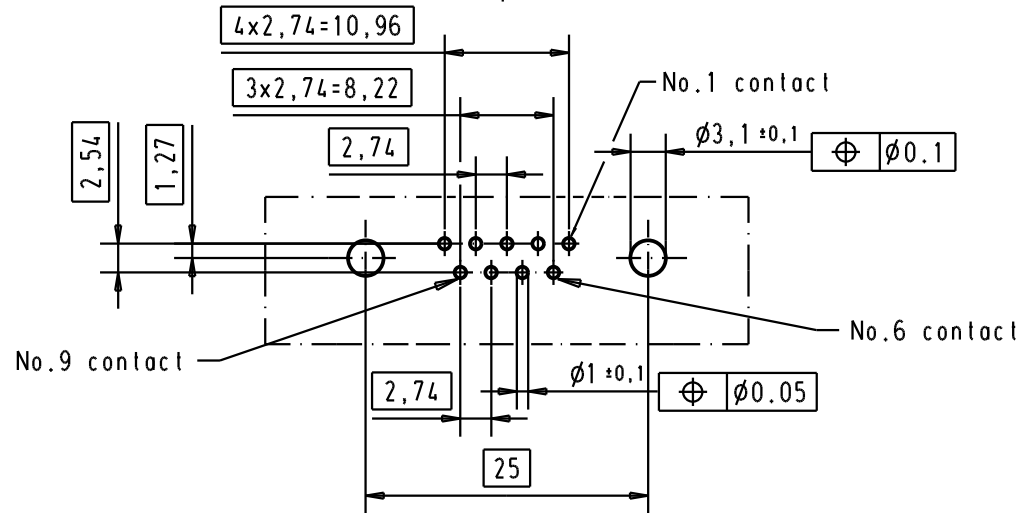


5 4 3 2 1

Mating face according to : MIL-C-24308 / DIN 41652 / CECC 75301-802

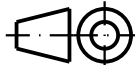



Printed board layout component side



Connector retention and insertion forces on the PCB = 25 / 80 newtons

A

09 66 156 3633	M3	1											
09 66 156 6633	M3	2						Det.	04/09/02	YT	 <p>All Dim. in mm Orig. Size DIN A 4</p>	D-Sub, high temperature, female, standard, 9 poles, with solder pins 2.9, screw locks and grounding board lock.	Maßstab/ Scale 1.5:1
09 66 156 7633	M3	3					Insp.						
09 66 156 3613	4-40 UNC	1					Stand.						
09 66 156 6613	4-40 UNC	2	31892	05/05/04	JH	HARTING EUROL F-95972 Paris				TB 0966156x6x3		Blatt/ Page 1 /	
09 66 156 7613	4-40 UNC	3	31084	04/09/02	YT								
Part number	Screw lock thread	Performance level	Mod.	Dat.	Name								

Sub.