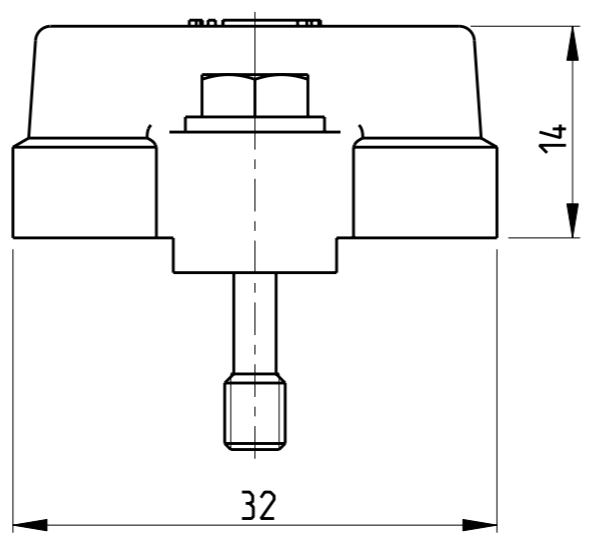
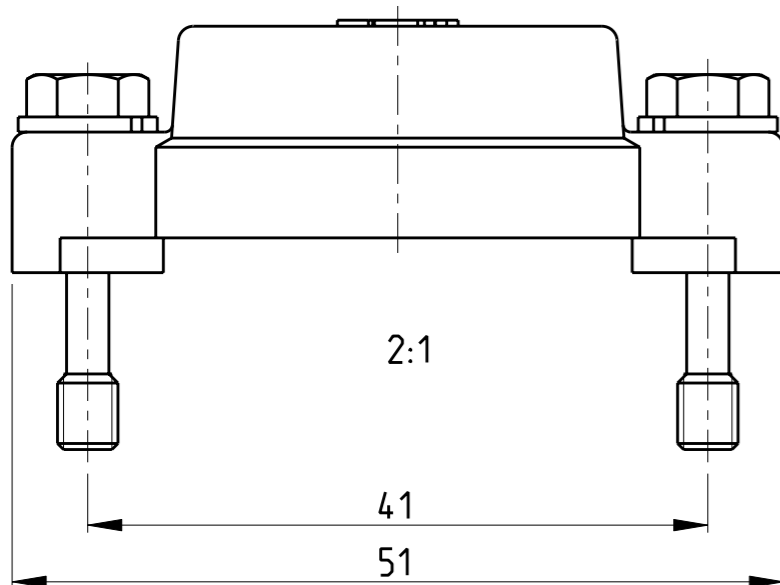


THIS DRAWING IS UNPUBLISHED. RELEASED FOR PUBLICATION 2009
 © COPYRIGHT 2009 BY TYCO ELECTRONICS CORPORATION. ALL RIGHTS RESERVED.

LOC	DIST	REVISIONS			
P	LTR	DESCRIPTION	DATE	DWN	APVD
A1	-	A3	ECR-09-023155	22OCT2009	VG AR

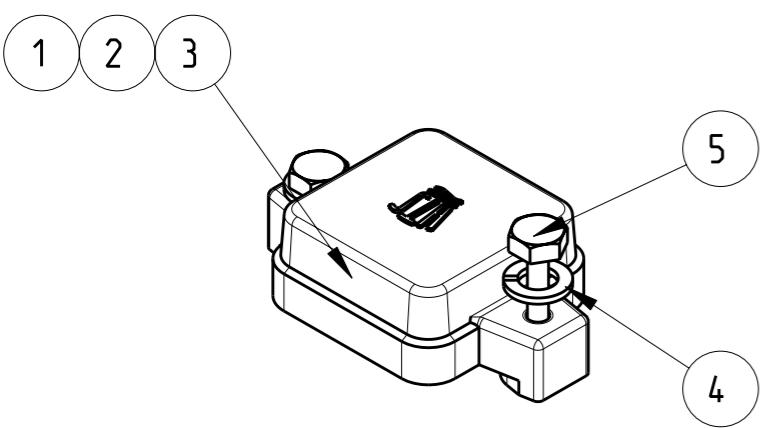


PN 3-5 AS SHOWN

Notes

- SUITABLE HOUSINGS: SERIES EMV / HIP, SIZE 1
CUSTOMER DRAWING 1102603, 1102703, 1102602, 1102702, 1102601, 1106407, 1106401, 1102701
- STANDARDS:
DIN EN 61984, DIN EN 60664-1
- TOOL:
HEXAGON SCREW DRIVER 7mm
- VARNISH ON INSIDE AREA NOT NECESSARY
- PACKAGING:
10 SETS IN A CARTON, PRE-MOUNTED

PART NO.	ORDERING TEXT
0-1106200-1	EMV-K / HIP-K.3/4.SKB
4-1106200-5	EMV-K / HIP-K.3/4.SKB
3-1106200-5	EMV / HIP.3/4.SKB



1:1

PN/QTY	DESCRIPTION	MATERIAL	COLOR/SURFACE	NOTE	ITEM		
2	2	2	SCREW, HEXAGON BOLT	STAINL. STEEL	BLANK	M4x22 DIN EN ISO 7964, REDUCED SHUNK	5
2	2	2	WASHER, PLAIN	STAINL. STEEL	BLANK	A4, DIN EN ISO 7089, 200HV	4
1	-	-	COVER	ALU	BLACK	SERIES EMV-K / HIP-K	3
-	1	-	COVER	ALU	BLACK	SERIES EMV-K / HIP-K	2
-	-	1	COVER	ALU	GREY	SERIES EMV / HIP	1

PARTS LIST (PER ONE UNIT)

<small>THIS DRAWING IS A CONTROLLED DOCUMENT FOR TYCO ELECTRONICS CORPORATION IT IS SUBJECT TO CHANGE AND THE CONTROLLING ENGINEERING ORGANIZATION SHOULD BE CONTACTED FOR THE LATEST REVISION.</small>		DWN V.GLUMM 27AUG2009 CHK H.Braun 27AUG2009 APVD T.Schnurpfeil 27AUG2009	Tyco Electronics AMP GmbH 64625 Bensheim (Germany)
DIMENSIONS: mm 	TOLERANCES UNLESS OTHERWISE SPECIFIED: 0 PLC ±- 1 PLC ±- 2 PLC ±- 3 PLC ±- 4 PLC ±- ANGLES ±1°	PRODUCT SPEC - APPLICATION SPEC - WEIGHT -	NAME COVER ASS'Y SERIES EMV / HIP, SIZE 1
MATERIAL -	FINISH -	SIZE A3 CAGE CODE 00779 DRAWING NO C-1106200	RESTRICTED TO -
CUSTOMER DRAWING		SCALE 2:1	SHEET 1 OF 1 REV A3