

This drawing involves proprietary design rights of Tyco Electronics Corporation, and all design, manufacture, reproduction, use and sale rights regarding the same are expressly reserved. It is submitted for a specific purpose and the recipient by accepting this drawing, assumes custody and control and agrees to take reasonable precautions; (a) that this drawing will not be copied and reproduced, in whole or in part, or its contents revealed in any manner, or to any person except to meet the purpose for which it was delivered and (b) that any special features peculiar to this design will not be incorporated in other projects without the expressed written permission of Tyco Electronics Corporation.

REVISIONS			
EC	REV	DESCRIPTION	DATE
CPR	A	NEW RELEASE	1/26/06

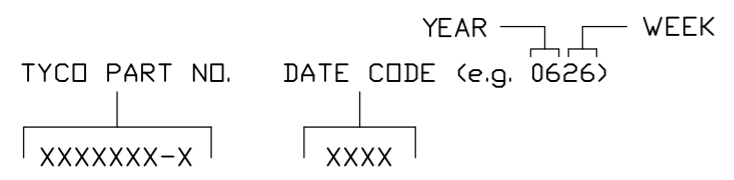
6. MODULE INFORMATION

CONNECTOR	TYCO PART NUMBER	CATALOG MODULE #	QTY	SIZE NO.	CONTACT QTY	MATING PIN	MAX. CURRENT (PER CONTACT)	CONTACT SPACING	VOLTAGE RATING*
SOCKET	6646614-1	FP0200	3	8	3	1.25 X 7.00 [.049 X .276]	45 AMPERES	7.50 [L2953]	250 VOLTS
		FP0401	1	22	24	.64 [L025] SQ.	3 AMPERES	2.50 [L0984]	125 VOLTS
		FP0515	1	ACTIVE STRAIGHT GUIDE PIN					

*IAW IEC-950

NOTES: UNLESS OTHERWISE SPECIFIED.

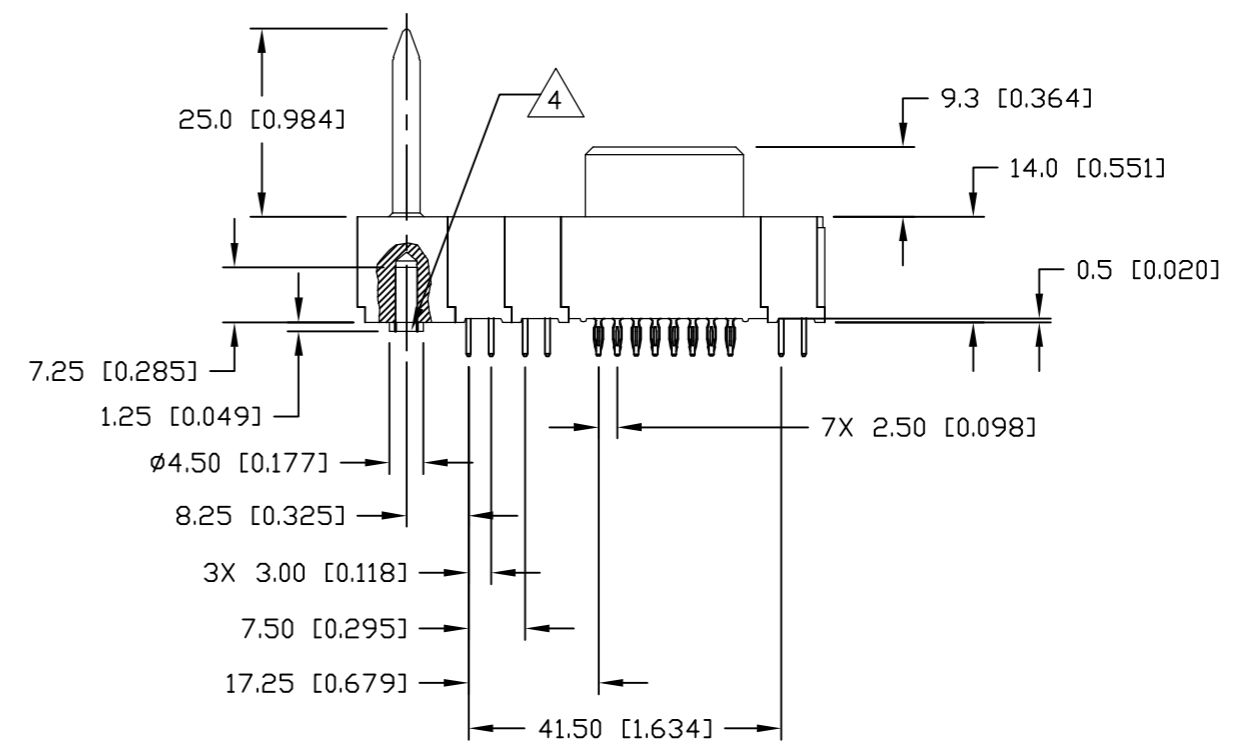
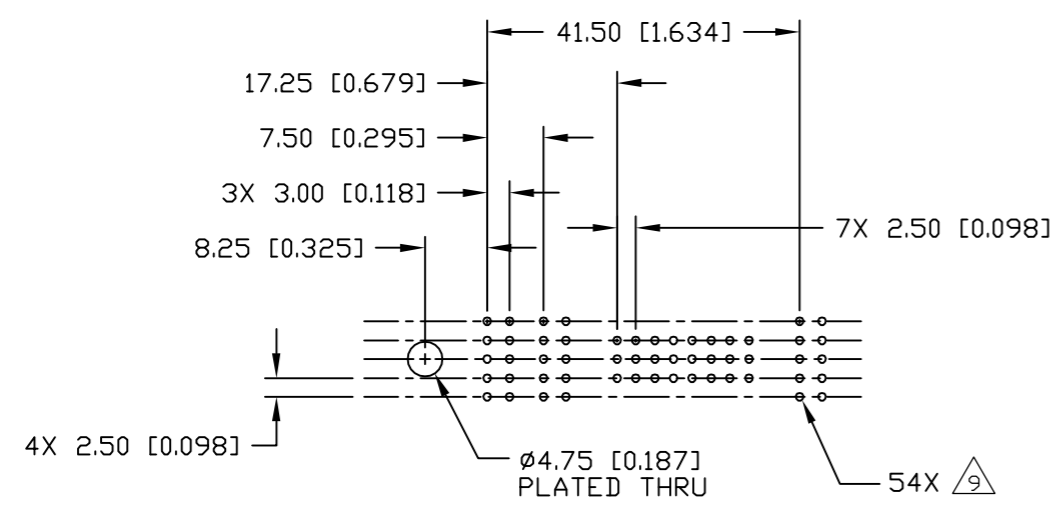
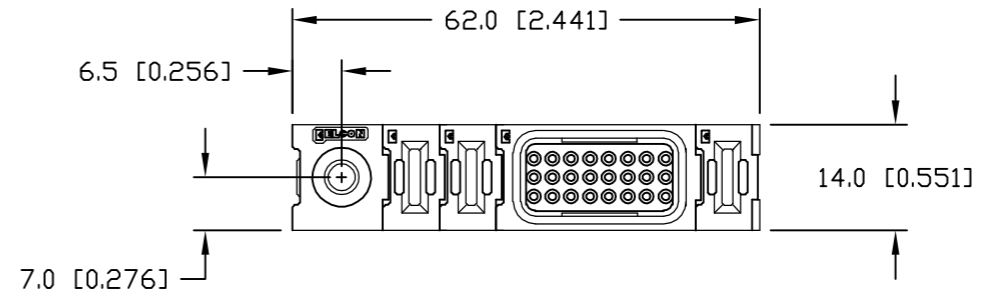
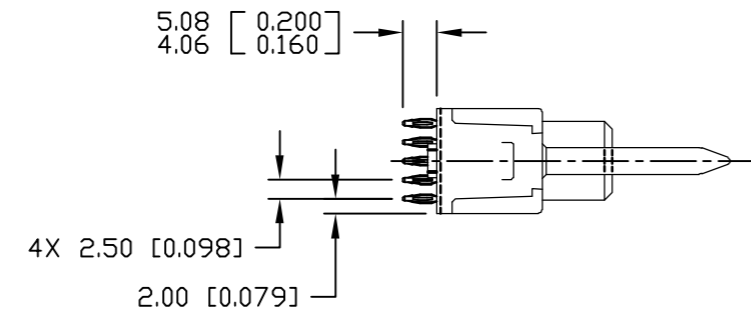
- PART NUMBER CHANGES AND OR DESIGN CHANGES AFFECTING ITEM INTERCHANGEABILITY REQUIRE PRIOR TYCO APPROVAL AND AUTHORIZATION BY REVISION TO THIS DRAWING.
- MATERIALS:
 INSULATORS: THERMOPLASTIC, GLASS REINFORCED, COLOR BLACK, UL94V-0 FLAMMABILITY RATED.
 POWER CONTACTS: PHOSPHOR BRONZE ALLOY,
 GUIDE PIN: BRASS COPPER ALLOY.
- FINISHES:
 CONTACTS: GOLD PLATE .000030" MIN. THK, OVER NICKEL .000040" MIN. THICK
 TERMINALS: TIN PLATE, MATTE FINISH
 000040" MIN. THICK
 GUIDE PIN: NICKEL PLATE
- ACTIVE GUIDE PINS ACCEPT M3 SCREWS, (USER SUPPLIED).
- ITEMS PROVIDED TO THIS SPECIFICATION TO BE PERMANENTLY IDENTIFIED PER THE FOLLOWING IDENTIFIER:



<p>THIRD ANGLE PROJECTION</p> <p>UNLESS OTHERWISE SPECIFIED DIMENSIONS ARE IN METRIC [INCHES]</p> <p>TOLERANCES</p> <p>ANGLES ± .5°</p> <p>DECIMALS</p> <p>.XX ± .25 [L010]</p> <p>.X ± .5 [L020]</p>	<p>← MM OR MM [INCH]</p> <p>INCH</p>	<p>DRAWN</p> <p>R. F. A.</p>	<p>DATE</p> <p>1/26/06</p>	<p>tyco Tyco Electronics Corporation ELCON Electronics Menlo Park, Ca 94025</p> <p>TITLE</p> <p>SOCKET CONNECTOR, FLATPAQ STRAIGHT, COMPLIANT TAILS</p>	
	<p>CHECKED</p>	<p>APPROVED</p>	<p>APPROVED</p> <p>D. CHAU</p> <p>1/26/06</p>		
	<p>DCA APPROVED</p>	<p>SIZE</p> <p>B</p>	<p>DWG NUMBER</p> <p>C = 6646614</p>		<p>REV.</p> <p>A</p>
	<p>ACAD FILE NUMBER</p> <p>C6646614A.DWG</p>	<p>DWG SCALE</p> <p>1=1</p>	<p>SH 1 OF 3</p>		

This drawing involves proprietary design rights of Tyco Electronics Corporation, and all design, manufacture, reproduction, use and sale rights regarding the same are expressly reserved. It is submitted for a specific purpose and the recipient by accepting this drawing, assumes custody and control and agrees to take reasonable precautions; (a) that this drawing will not be copied and reproduced, in whole or in part, or its contents revealed in any manner, or to any person except to meet the purpose for which it was delivered and (b) that any special features peculiar to this design will not be incorporated in other projects without the expressed written permission of Tyco Electronics Corporation.

REVISIONS			
EC	REV	DESCRIPTION	DATE
		SEE SHEET 1	



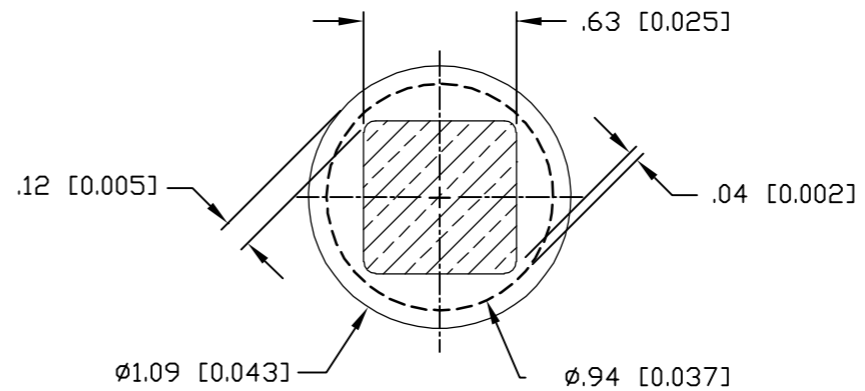
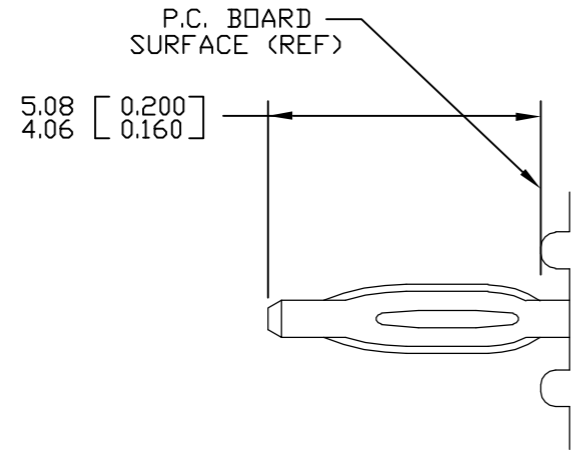
PRINTED CIRCUIT LAYOUT

← MM OR MM [INCH] INCH THIRD ANGLE PROJECTION UNLESS OTHERWISE SPECIFIED DIMENSIONS ARE IN METRIC [INCHES] TOLERANCES ANGLES ± .5° DECIMALS .XX ± .25 [0.010] .X ± .5 [0.020]	DRAWN R. F. A.	DATE 1/26/06	 Tyco Electronics Corporation Menlo Park, Ca 94025 	TITLE SOCKET CONNECTOR, FLATPAQ STRAIGHT, COMPLIANT TAILS	
	CHECKED				SIZE B
	APPROVED				
	APPROVED D. CHAU	1/26/06			
DCA APPROVED					
ACAD FILE NUMBER	C6646614A.DWG		DWG SCALE	1=1	SH 2 OF 3

This drawing involves proprietary design rights of Tyco Electronics Corporation, and all design, manufacture, reproduction, use and sale rights regarding the same are expressly reserved. It is submitted for a specific purpose and the recipient by accepting this drawing, assumes custody and control and agrees to take reasonable precautions; (a) that this drawing will not be copied and reproduced, in whole or in part, or its contents revealed in any manner, or to any person except to meet the purpose for which it was delivered and (b) that any special features peculiar to this design will not be incorporated in other projects without the expressed written permission of Tyco Electronics Corporation.

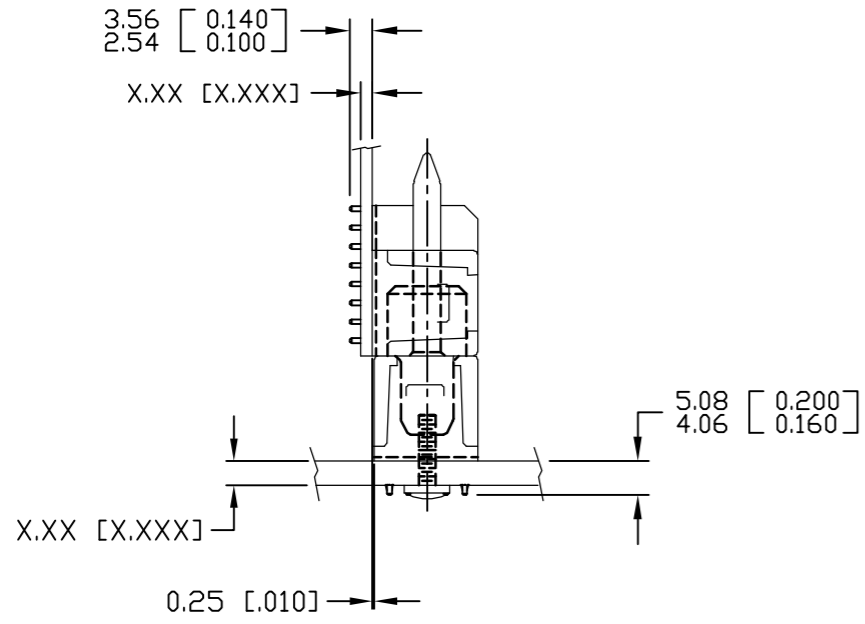
REVISIONS

EC	REV	DESCRIPTION	DATE
		SEE SHEET 1	

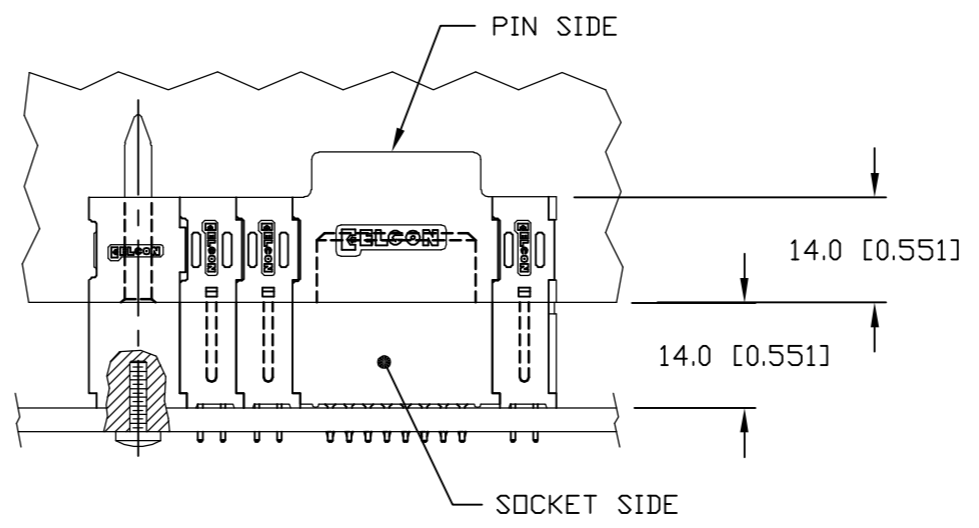


8. COMPLIANT PIN DETAIL
 INSERTION/EXTRACTION FORCES
 MAXIMUM PUSH-IN: 133.3N PER PIN [30 LBS]
 MINIMUM PUSH-OUT: 44.4N PER PIN [10 LBS]

9. SOLDER TERMINATION AREA
 RECOMMENDED PRINTED CIRCUIT HOLE
 DRILLED HOLE: $\phi 1.15 [0.0453] \pm 0.13 [0.005]$
 COPPER PLATE: .025-.050 [0.001-.002] (PER SURFACE)
 TIN PLATE: .0005 [0.00002] (PER SURFACE)



MATED CONDITION



← MM OR MM [INCH] INCH THIRD ANGLE PROJECTION UNLESS OTHERWISE SPECIFIED DIMENSIONS ARE IN METRIC [INCHES] TOLERANCES ANGLES $\pm .5^\circ$ DECIMALS .XX $\pm .25 [0.010]$.X $\pm .5 [0.020]$	DRAWN R. F. A. CHECKED	DATE 1/26/06	 Tyco Electronics Corporation Menlo Park, Ca 94025 TITLE USER INFORMATION COMPLIANT TAIL TERMINATION AND MATED CONDITION SIZE B DWG NUMBER C = 6646614 REV. A
	APPROVED D. CHAU	DATE 1/26/06	
	APPROVED DCA APPROVED		
	ACAD FILE NUMBER	C6646614A.DWG	