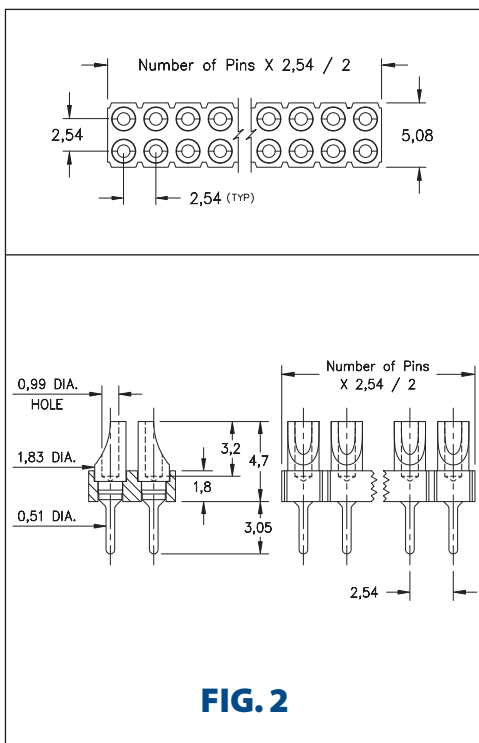
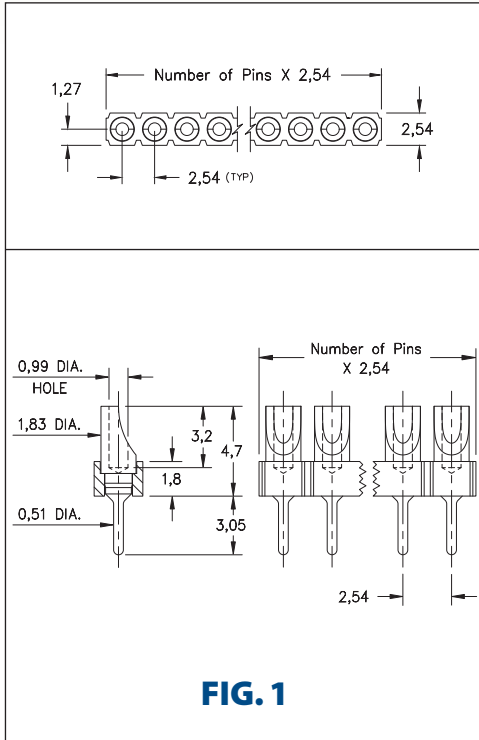
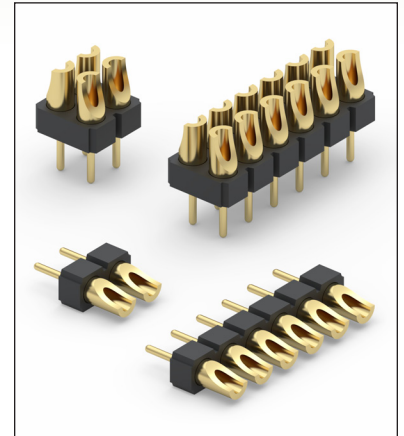


INTERCONNECTS



SERIES 380 & 480 • 2,54 GRID LOW PROFILE SOLDER CUP HEADERS SINGLE AND DOUBLE ROW STRIPS



- Series 380 & 480 solder cup headers for low profile wire termination applications
- 0,51 diameter pins are suitable for mating with standard sockets or for through-hole soldering to the P.C.B.
- Solder cups are uniformly aligned to facilitate efficient soldering
- Accepts up to 22 AWG Stranded wire
- Insulators are high temperature thermoplastic, suitable for all soldering operations



ORDERING INFORMATION

FIG. 1	Series 380...002	Single Row Solder Cup Header		
		380-10-0	-00-002000	
	Specify number of pins	10	01-64	
	RoHS-2 2011/65/EU	XX=Plating Code See Below	For Electrical, Mechanical & Environmental Data, See page 264	
	SPECIFY PLATING CODE XX=	10		
	Pin Plating	 0,25µm Au		
FIG. 2	Series 480...002	Double Row Solder Cup Header		
		480-XX-0	-00-002000	
	Specify number of pins	10	02-72	
	RoHS-2 2011/65/EU	XX=Plating Code See Below	For Electrical, Mechanical & Environmental Data, See page 264	
	SPECIFY PLATING CODE XX=	10		
	Pin Plating	 0,25µm Au		

