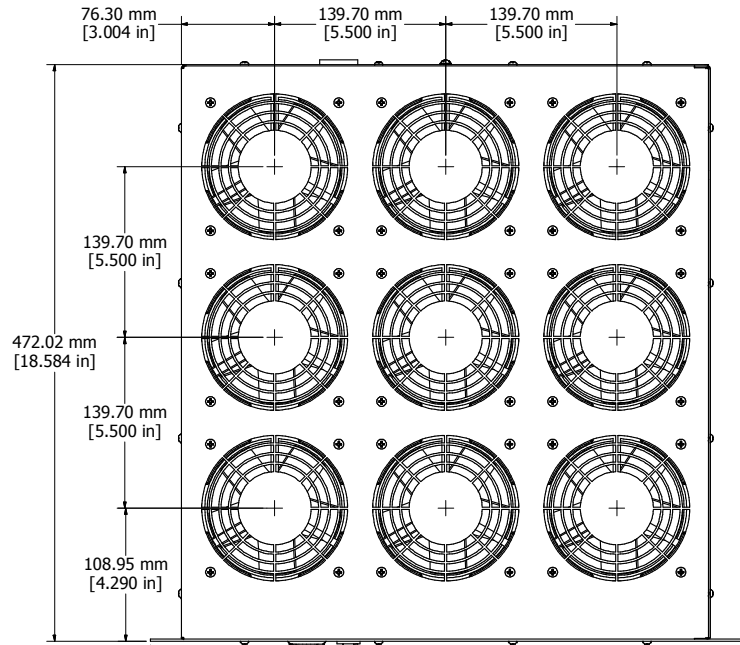
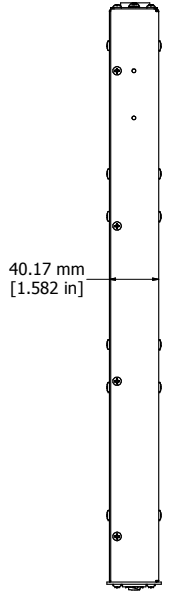


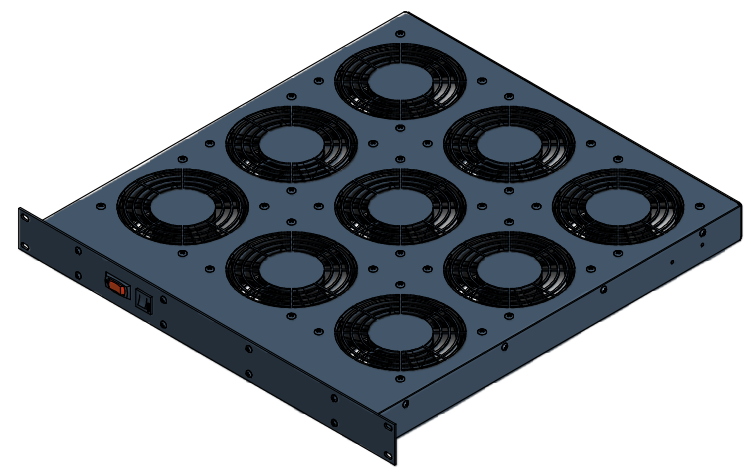
10A, 230V IEC 320 - C14 INLET RECEPTACLE
ASSEMBLY - VIEW FROM BACK



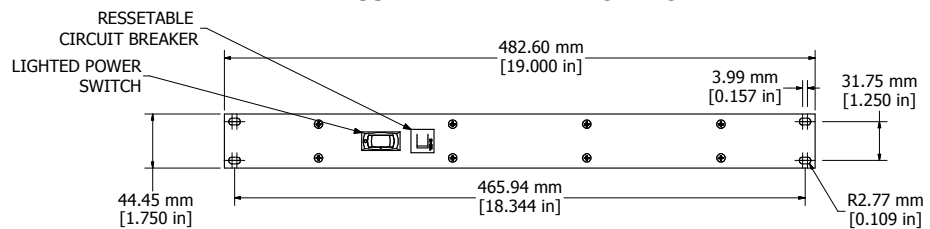
ASSEMBLY - VIEW FROM TOP



ASSEMBLY - VIEW FROM SIDE



ISOMETRIC VIEW



ASSEMBLY - VIEW FROM FRONT

FT900HA1220BK
Finish - Black Textured Powder Paint
Rated - 230 VAC, 50/60 Hz, 3 Amps
Free Flow Air Delivery - 900 CFM
ACCESSORIES INCLUDED
Mounting Instructions
Rear Mount Brackets & Hardware
Extension Brackets & Hardware

HAMMOND MANUFACTURING™
FT900HA1220BK
www.hammondmfg.com