

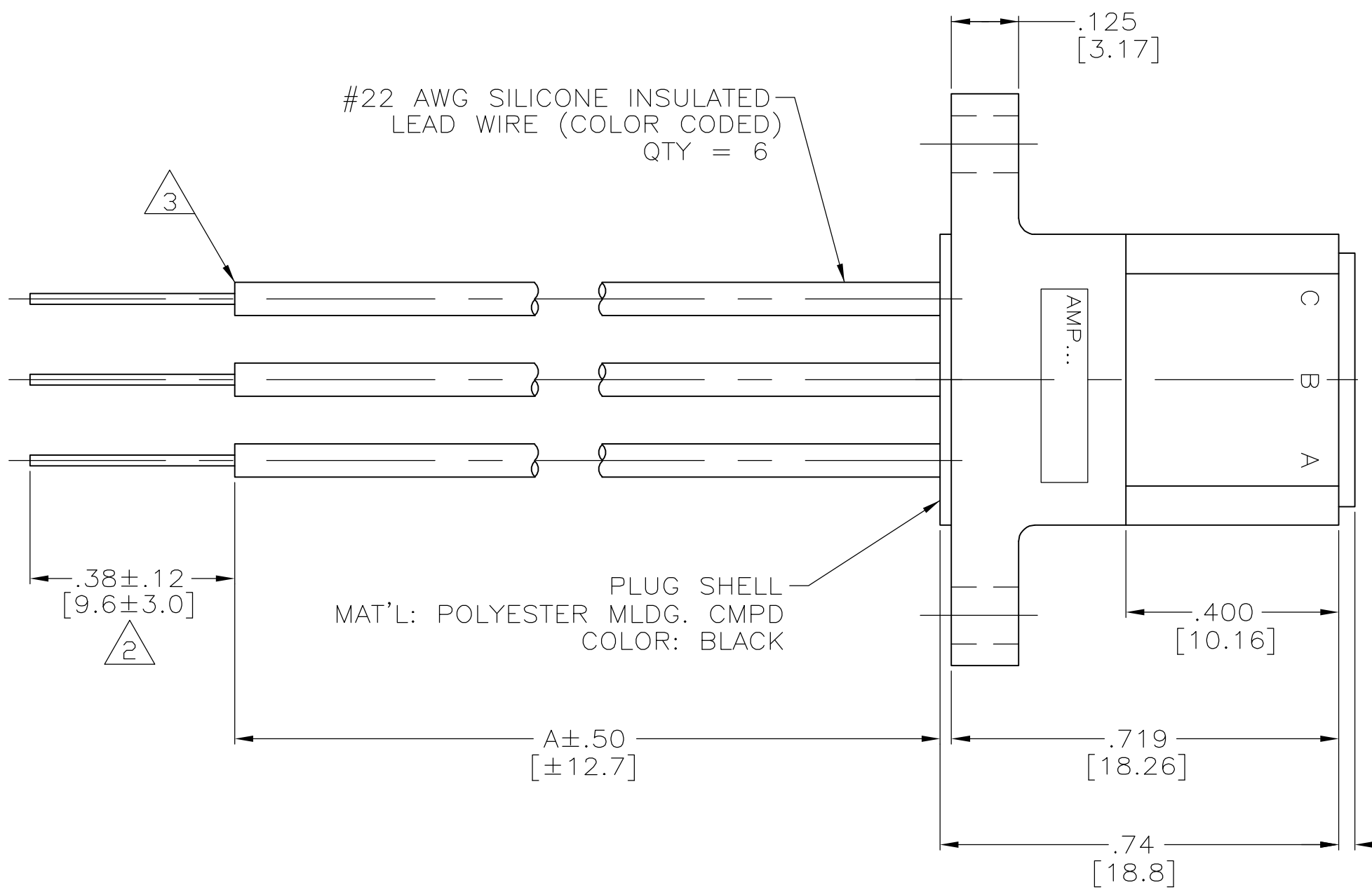
THIS DRAWING IS UNPUBLISHED. RELEASED FOR PUBLICATION - N/A .
 © COPYRIGHT N/A BY TYCO ELECTRONICS CORPORATION. ALL RIGHTS RESERVED.

LOC	DIST	REVISIONS					
DF	S0	P	LTR	DESCRIPTION	DATE	DWN	APVD
		F		REV PER ECO-05-011907	15MAY06	PY	DE

1. CAVITY I.D. & AMP INFO. MARKED PER MIL-STD-130.
2. PIGTAILS ARE SOLDER DIPPED.
3. INSULATION CUT, BUT NOT REMOVED.

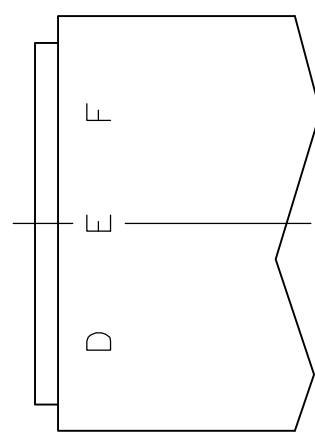
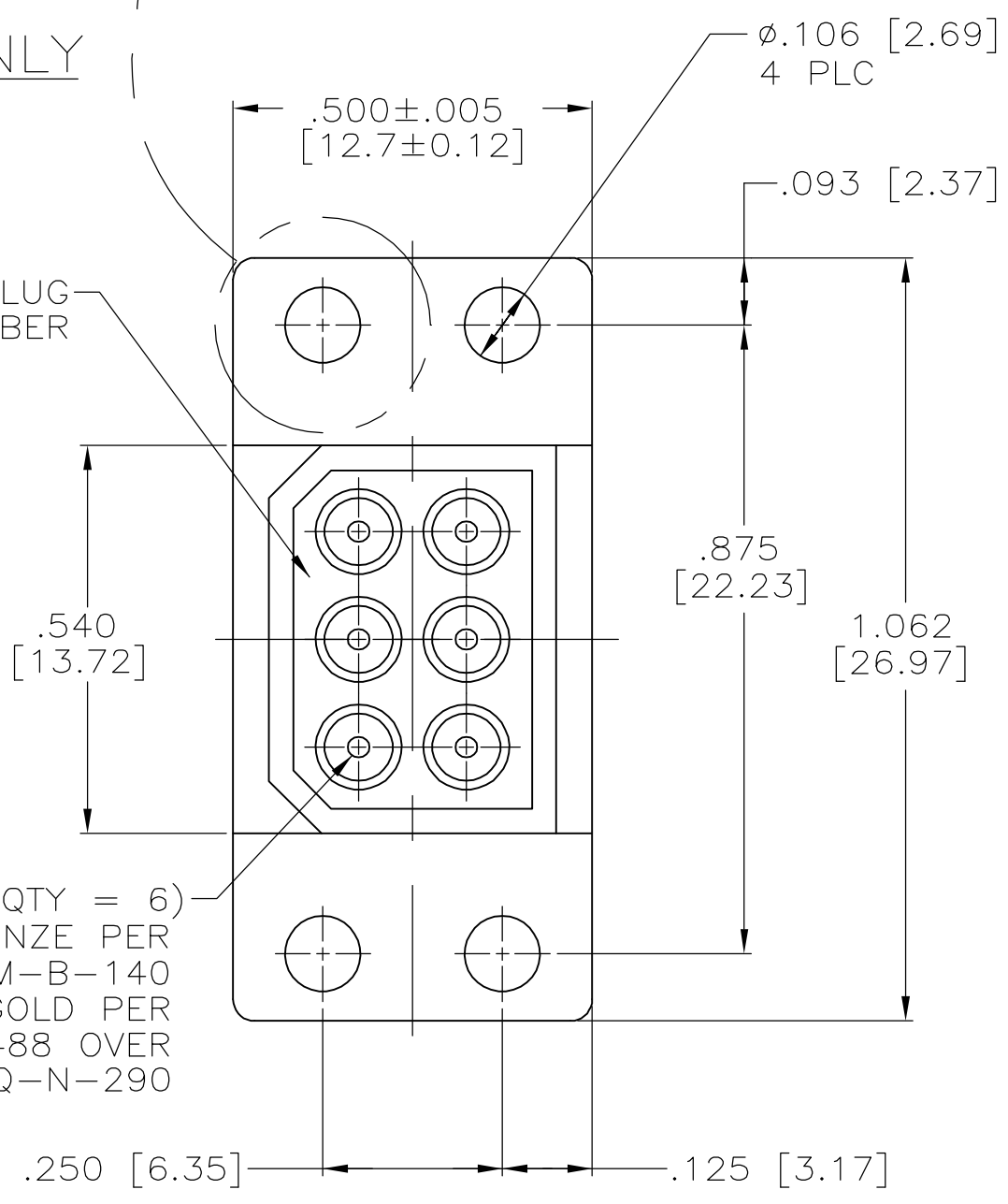
#2-56UNC-2B
4 PLC

867465-5 ONLY



MOLDED SLUG MAT'L: SILICONE RUBBER

PIN (QTY = 6) MAT'L: BRONZE PER ASTM-B-140 FINISH: GOLD PER ASTM-B-488 OVER NICKEL PER AMS-QQ-N-290



A	BROWN
B	RED
C	GREEN
D	BLUE
E	BLACK
F	WHITE

SCHEMATIC

3	36.00 [914.4]	5-867465-3
3	24.00 [609.6]	5-867465-2
3	12.00 [304.8]	5-867465-1
2	12.00 [304.8]	867465-5
2	96.00 [2438.4]	867465-4
2	36.00 [914.4]	867465-3
2	24.00 [609.6]	867465-2
2	12.00 [304.8]	867465-1
REMARKS	A DIM	PART NO.

THIS DRAWING IS A CONTROLLED DOCUMENT.		DWN C.C.THOMAS 07-JUL-93	tyco Electronics Tyco Electronics Corporation Harrisburg, Pa 17105-3608	
DIMENSIONS: INCHES [mm]		CHK D.EABY 13-OCT-93	NAME PLUG ASSY 6 POSN WITH FLYING LEADS LGH	
TOLERANCES UNLESS OTHERWISE SPECIFIED:		APVD D.EABY 13-OCT-93	SIZE A2 CAGE CODE 00779 C=867465 DRAWING NO RESTRICTED TO	
0 PLC ± -		PRODUCT SPEC	SCALE 4:1 SHEET 1 OF 1 REV F	
1 PLC ± -		APPLICATION SPEC		
2 PLC ± .03 [0.8]		WEIGHT -		
3 PLC ± .015 [0.38]		CUSTOMER DRAWING		
4 PLC ± -				
ANGLES ± -				
FINISH SEE CALLOUTS				
MATERIAL SEE CALLOUTS				