

Technical specification:

Rated voltage: IEC 61076-2-101	4pos 250 V
Current rating: IEC 61076-2-101	4 A at 40°C
Insulation resistance: IEC 60512	>=100 MΩ
Pollution degree: IEC 60664-1	3/2
Degree of protection: DIN 40050-9	IP 69K, in mated condition
Temperature range: IEC 60664-1	-30°C ... +105°C
Mating cycles: IEC 60512-9a	>=100

Materials:

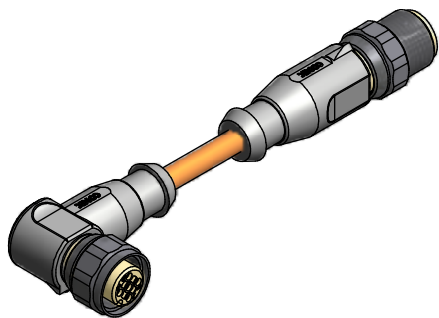
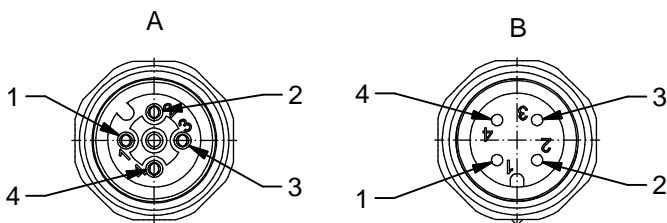
Contact:	CuZn
Contact plating:	Nickel, gold plated
Contact carrier:	PP GF, UL 94
Sealing:	FPM
Coupling nut/ screw:	1.4404 stainless steel
Moulding body:	Thermoplastic elastomere, grey

Installation specification:

Recommended torque:	0,6 Nm
---------------------	--------

Contact assignment:

- 1) brown
- 2) white
- 3) blue
- 4) black



Part no:	Description:	Length L:	Cable:
43-10924	SAL - FB - 12 - RKW4 - RS4 - 0,3 / P1	0,3m	PP, orange, 4x0,34mm ² Cable: 781-P13400
43-10925	SAL - FB - 12 - RKW4 - RS4 - 0,6 / P1	0,6m	
43-10926	SAL - FB - 12 - RKW4 - RS4 - 1,5 / P1	1,5m	
43-10927	SAL - FB - 12 - RKW4 - RS4 - 3 / P1	3m	
43-xxxxx	SAL - FB - 12 - RKW4 - RS4 - ... / P1	x	

D see data sheet cable

DO NOT ALTER CAD DRAWING BY HAND	Directive 2002/95/EC RoHS compliant	Index: b 23.02.11 VF Ä3909 technical specification changed, part no. cable in table added, data sheet modified	dim. in mm	title: Connecting cable M12x1, FB, female connector angled - male connector axial									
		tolerance of cable: L ≤ 4m: L + 40mm L > 4m: L + 1%			<table border="1" style="font-size: 8px;"> <tr> <td></td> <td>date</td> <td>name</td> </tr> <tr> <td>drawn</td> <td>14.03.07</td> <td>Burschik</td> </tr> <tr> <td>appd.</td> <td>14.03.07</td> <td>Mankopf</td> </tr> </table>		date	name	drawn	14.03.07	Burschik	appd.	14.03.07
			date		name								
		drawn	14.03.07		Burschik								
appd.	14.03.07	Mankopf											
THIS DRAWING MAY NOT BE COPIED OR REPRODUCED IN ANY WAY, AND MAY NOT BE PASSED ON TO A THIRD PARTY WITHOUT WRITTEN PERMISSION. OWNERSHIP AND COPYRIGHT OF CONEC GmbH		dwg no:	43K1A449										
		part no:	see table										