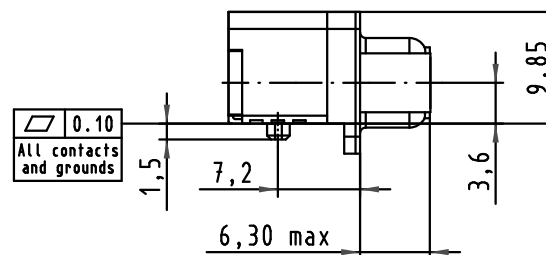
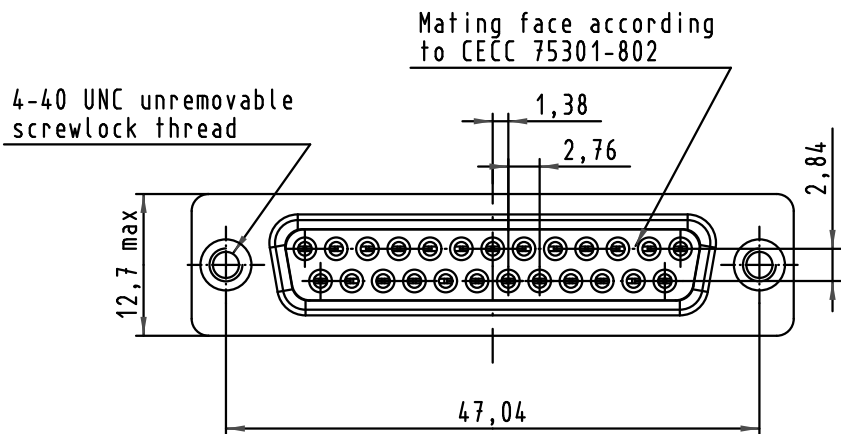


PCB Layout, component side (thickness 1,6mm min.)

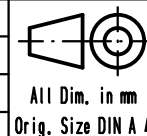


Max. Temperature: 260°C during 10 seconds

09553563620.741	1	4-40 UNC	Black Insulator	Reel Packaging (160 connectors) see page 2/2
09553566620.741	2			
09553567620.741	3			

Part number	PL	Thread	Index designation
-------------	----	--------	-------------------

					Dot.	Name
					Detail.	30Jun2010 ED
					Insp.	
					Stand.	
EC01953	30Jun2010	ED	HARTING EURL F-95972 Paris			
Mod.	Dot.	Name				



D-SUB SMT
Low Profile Female 25p
with die casted grounds
and 4-40 UNC unremovable screwlocks

TB 09 55 356 x620

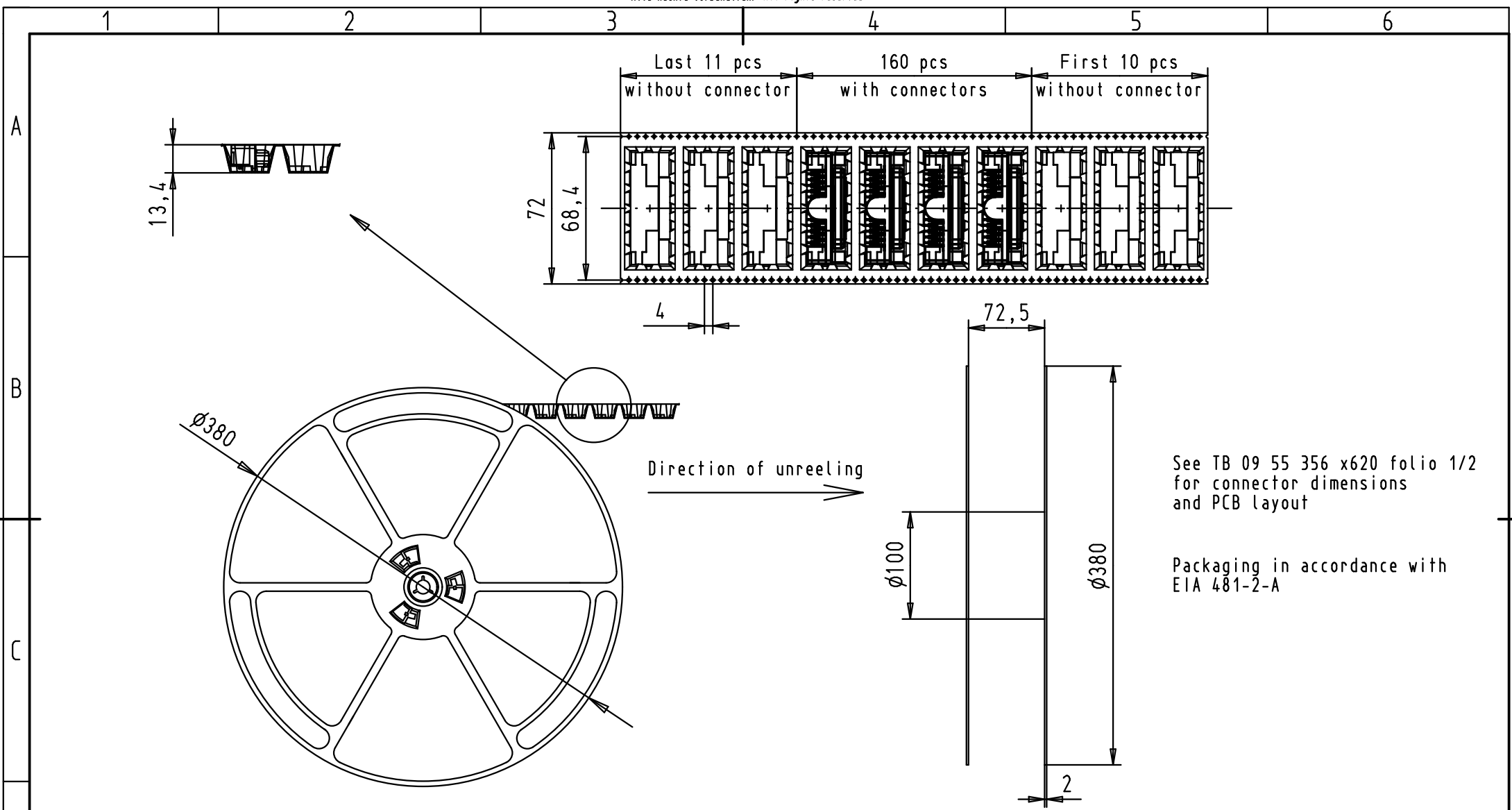
Sub.

Maßstab/
Scale

1,5:1

Blatt/ Page

1/2



See TB 09 55 356 x620 folio 1/2 for connector dimensions and PCB layout

Packaging in accordance with EIA 481-2-A

				Dot.	Name
				Detail.	30Jun2010 ED
				Insp.	
				Stand.	



D-SUB SMT
Low Profile Female 25p
with die casted grounds
and 4-40UNC unremovable screwlocks

Maßstab/
Scale

09553563620.741	1	4-40 UNC	Black Insulator	Reel Packaging (160 connectors)
09553566620.741	2			
09553567620.741	3			
Part number	PL	Thread	Index designation	

EC01953	30Jun2010	ED
Mod.	Dot.	Name

HARTING EURL
F-95972 Paris



TB 09 55 356 x620

Blatt/ Page
2 / 2