

PLEASE CHECK WWW.MOLEX.COM FOR LATEST PART INFORMATION

Part Number: [62203-0450](#)
Status: **Active**
Description: Removal Tool

Documents:
[RoHS Certificate of Compliance \(PDF\)](#)

General

Product Family	Application Tooling
Series	T3002
Comments	See Tooling Specification (PDF) Above
Function	Extraction
Geographic Area	Global
Level of Automation	Manual
More Detailed Tech Information	applicationtooling@molex.com
Product Name	N/A
Survey	www.molex.com//review/apptool_survey.html
Tool Type	Handtool
UPC	884982694729

Material Info

Reference - Drawing Numbers

Application Tooling Documents	ATS-622030450
-------------------------------	---------------

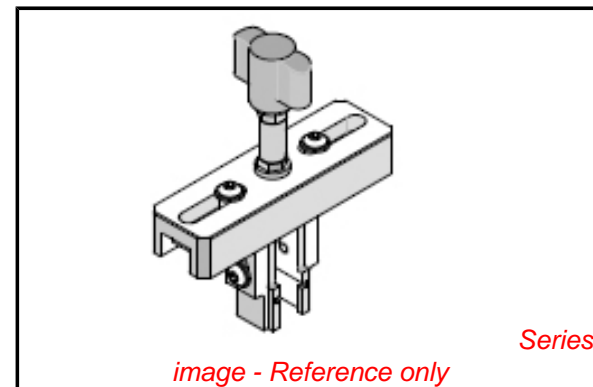


image - Reference only

EU RoHS **China RoHS**

Compliance Status

Not Reviewed

REACH SVHC

Not Reviewed

Low-Halogen Status

Not Reviewed

Need more information on product environmental compliance?

Email productcompliance@molex.com
 For a multiple part number RoHS Certificate of Compliance, [click here](#)

Please visit the [Contact Us](#) section for any non-product compliance questions.

Search Parts in this Series

[T3002Series](#)

Use With

[45280](#) 3.00mm Pitch Micro-Fit 3.0 BMI
 CPI™ Compliant Pin Header

Application Tooling | **FAQ**
Description | **Product #**

3.00mm Pitch Micro-Fit 3.0 BMI CPI™ Compliant Pin Header, Blind Mate Interface, Dual Row, Vertical, 6 Circuits, PA Polyamide Nylon 4/6, UL 94V-0, 0.38µm Gold (Au) Selective Contact Plating, Tin (Sn) Tail Plating	0452800652
3.00mm Pitch Micro-Fit 3.0 BMI CPI™ Compliant Pin Header, Blind Mate	0452800852

Interface, Dual Row,
Vertical, 8 Circuits,
PA Polyamide Nylon
4/6, UL 94V-0,
0.38µm Gold (Au)
Selective Contact
Plating, Tin (Sn) Tail
Plating
33.00mm Pitch 0452800452
Micro-Fit 3.0 BMI
CPI™ Compliant Pin
Header, Blind Mate
Interface, Dual Row,
Vertical, 4 Circuits,
PA Polyamide Nylon
4/6, UL 94V-0,
0.38µm Gold (Au)
Selective Contact
Plating, Tin (Sn) Tail
Plating
3.00mm Pitch Micro- 0452800801
Fit 3.0 BMI CPI™
Compliant Pin
Header, Blind Mate
Interface, Dual Row,
Vertical, 8 Circuits,
PA Polyamide Nylon
4/6, UL 94V-0, Tin
(Sn) Over Nickel (Ni)
Plating
3.00mm Pitch Micro- 0452801252
Fit 3.0 BMI CPI™
Compliant Pin
Header, Blind Mate
Interface, Dual Row,
Vertical, 12 Circuits,
PA Polyamide Nylon
4/6, UL 94V-0,
0.38µm Gold (Au)
Selective Contact
Plating, Tin (Sn) Tail
Plating
3.00mm Pitch Micro- 0452801253
Fit 3.0 BMI CPI™
Compliant Pin
Header, Blind Mate
Interface, Dual Row,
Vertical, 12 Circuits,
PA Polyamide Nylon
4/6, UL 94V-0,
0.76µm Gold (Au)
Selective Contact
Plating, Tin (Sn) Tail
Plating
3.00mm Pitch Micro- 0452801001
Fit 3.0 BMI CPI™
Compliant Pin
Header, Blind Mate
Interface, Dual Row,
Vertical, 10 Circuits,
PA Polyamide Nylon
4/6, UL 94V-0, Tin
(Sn) Over Nickel (Ni)
Plating

3.00mm Pitch Micro- 0452802001
Fit 3.0 BMI CPI™
Compliant Pin
Header, Blind Mate
Interface, Dual Row,
Vertical, 20 Circuits,
PA Polyamide Nylon
4/6, UL 94V-0, Tin
(Sn) Over Nickel (Ni)
Plating

3.00mm Pitch Micro- 0452800653
Fit 3.0 BMI CPI™
Compliant Pin
Header, Blind Mate
Interface, Dual Row,
Vertical, 6 Circuits,
PA Polyamide Nylon
4/6, UL 94V-0,
0.76µm Gold (Au)
Selective Contact
Plating, Tin (Sn) Tail
Plating

3.00mm Pitch Micro- 0452800401
Fit 3.0 BMI CPI™
Compliant Pin
Header, Blind Mate
Interface, Dual Row,
Vertical, 4 Circuits,
PA Polyamide Nylon
4/6, UL 94V-0, Tin
(Sn) Over Nickel (Ni)
Plating

3.00mm Pitch Micro- 0452800453
Fit 3.0 BMI CPI™
Compliant Pin
Header, Blind Mate
Interface, Dual Row,
Vertical, 4 Circuits,
PA Polyamide Nylon
4/6, UL 94V-0,
0.76µm Gold (Au)
Selective Contact
Plating, Tin (Sn) Tail
Plating

3.00mm Pitch Micro- 0452800601
Fit 3.0 BMI CPI™
Compliant Pin
Header, Blind Mate
Interface, Dual Row,
Vertical, 6 Circuits,
PA Polyamide Nylon
4/6, UL 94V-0, Tin
(Sn) Over Nickel (Ni)
Plating

3.00mm Pitch Micro- 0452800853
Fit 3.0 BMI CPI™
Compliant Pin
Header, Blind Mate
Interface, Dual Row,
Vertical, 8 Circuits,
PA Polyamide Nylon
4/6, UL 94V-0,
0.76µm Gold (Au)
Selective Contact

Plating, Tin (Sn) Tail
Plating
3.00mm Pitch Micro- 0452801052
Fit 3.0 BMI CPI™
Compliant Pin
Header, Blind Mate
Interface, Dual Row,
Vertical, 10 Circuits,
PA Polyamide Nylon
4/6, UL 94V-0,
0.38µm Gold (Au)
Selective Contact
Plating, Tin (Sn) Tail
Plating
3.00mm Pitch Micro- 0452801053
Fit 3.0 BMI CPI™
Compliant Pin
Header, Blind Mate
Interface, Dual Row,
Vertical, 10 Circuits,
PA Polyamide Nylon
4/6, UL 94V-0,
0.76µm Gold (Au)
Selective Contact
Plating, Tin (Sn) Tail
Plating
3.00mm Pitch Micro- 0452801201
Fit 3.0 BMI CPI™
Compliant Pin
Header, Blind Mate
Interface, Dual Row,
Vertical, 12 Circuits,
PA Polyamide Nylon
4/6, UL 94V-0, Tin
(Sn) Over Nickel (Ni)
Plating
3.00mm Pitch Micro- 0452801401
Fit 3.0 BMI CPI™
Compliant Pin
Header, Blind Mate
Interface, Dual Row,
Vertical, 14 Circuits,
PA Polyamide Nylon
4/6, UL 94V-0, Tin
(Sn) Over Nickel (Ni)
Plating
3.00mm Pitch Micro- 0452801452
Fit 3.0 BMI CPI™
Compliant Pin
Header, Blind Mate
Interface, Dual Row,
Vertical, 14 Circuits,
PA Polyamide Nylon
4/6, UL 94V-0,
0.38µm Gold (Au)
Selective Contact
Plating, Tin (Sn) Tail
Plating
3.00mm Pitch Micro- 0452801453
Fit 3.0 BMI CPI™
Compliant Pin
Header, Blind Mate
Interface, Dual Row,
Vertical, 14 Circuits,
PA Polyamide Nylon

4/6, UL 94V-0,
0.76µm Gold (Au)
Selective Contact
Plating, Tin (Sn) Tail
Plating
3.00mm Pitch Micro- 0452801601
Fit 3.0 BMI CPI™
Compliant Pin
Header, Blind Mate
Interface, Dual Row,
Vertical, 16 Circuits,
PA Polyamide Nylon
4/6, UL 94V-0, Tin
(Sn) Over Nickel (Ni)
Plating
3.00mm Pitch Micro- 0452801652
Fit 3.0 BMI CPI™
Compliant Pin
Header, Blind Mate
Interface, Dual Row,
Vertical, 16 Circuits,
PA Polyamide Nylon
4/6, UL 94V-0,
0.38µm Gold (Au)
Selective Contact
Plating, Tin (Sn) Tail
Plating
3.00mm Pitch Micro- 0452801653
Fit 3.0 BMI CPI™
Compliant Pin
Header, Blind Mate
Interface, Dual Row,
Vertical, 16 Circuits,
PA Polyamide Nylon
4/6, UL 94V-0,
0.76µm Gold (Au)
Selective Contact
Plating, Tin (Sn) Tail
Plating
3.00mm Pitch Micro- 0452801801
Fit 3.0 BMI CPI™
Compliant Pin
Header, Blind Mate
Interface, Dual Row,
Vertical, 18 Circuits,
PA Polyamide Nylon
4/6, UL 94V-0, Tin
(Sn) Over Nickel (Ni)
Plating
3.00mm Pitch Micro- 0452801852
Fit 3.0 BMI CPI™
Compliant Pin
Header, Blind Mate
Interface, Dual Row,
Vertical, 18 Circuits,
PA Polyamide Nylon
4/6, UL 94V-0,
0.38µm Gold (Au)
Selective Contact
Plating, Tin (Sn) Tail
Plating
3.00mm Pitch Micro- 0452801853
Fit 3.0 BMI CPI™
Compliant Pin
Header, Blind Mate

Interface, Dual Row,
Vertical, 18 Circuits,
PA Polyamide Nylon
4/6, UL 94V-0,
0.76µm Gold (Au)
Selective Contact
Plating, Tin (Sn) Tail
Plating
3.00mm Pitch Micro- 0452802052
Fit 3.0 BMI CPI™
Compliant Pin
Header, Blind Mate
Interface, Dual Row,
Vertical, 20 Circuits,
PA Polyamide Nylon
4/6, UL 94V-0,
0.38µm Gold (Au)
Selective Contact
Plating, Tin (Sn) Tail
Plating
3.00mm Pitch Micro- 0452802053
Fit 3.0 BMI CPI™
Compliant Pin
Header, Blind Mate
Interface, Dual Row,
Vertical, 20 Circuits,
PA Polyamide Nylon
4/6, UL 94V-0,
0.76µm Gold (Au)
Selective Contact
Plating, Tin (Sn) Tail
Plating
3.00mm Pitch Micro- 0452802201
Fit 3.0 BMI CPI™
Compliant Pin
Header, Blind Mate
Interface, Dual Row,
Vertical, 22 Circuits,
PA Polyamide Nylon
4/6, UL 94V-0, Tin
(Sn) Over Nickel (Ni)
Plating
3.00mm Pitch Micro- 0452802252
Fit 3.0 BMI CPI™
Compliant Pin
Header, Blind Mate
Interface, Dual Row,
Vertical, 22 Circuits,
PA Polyamide Nylon
4/6, UL 94V-0,
0.38µm Gold (Au)
Selective Contact
Plating, Tin (Sn) Tail
Plating
3.00mm Pitch Micro- 0452802253
Fit 3.0 BMI CPI™
Compliant Pin
Header, Blind Mate
Interface, Dual Row,
Vertical, 22 Circuits,
PA Polyamide Nylon
4/6, UL 94V-0,
0.76µm Gold (Au)
Selective Contact

Plating, Tin (Sn) Tail
Plating
3.00mm Pitch Micro- 0452802401
Fit 3.0 BMI CPI™
Compliant Pin
Header, Blind Mate
Interface, Dual Row,
Vertical, 24 Circuits,
PA Polyamide Nylon
4/6, UL 94V-0, Tin
(Sn) Over Nickel (Ni)
Plating
3.00mm Pitch Micro- 0452802452
Fit 3.0 BMI CPI™
Compliant Pin
Header, Blind Mate
Interface, Dual Row,
Vertical, 24 Circuits,
PA Polyamide Nylon
4/6, UL 94V-0,
0.38µm Gold (Au)
Selective Contact
Plating, Tin (Sn) Tail
Plating
3.00mm Pitch Micro- 0452802453
Fit 3.0 BMI CPI™
Compliant Pin
Header, Blind Mate
Interface, Dual Row,
Vertical, 24 Circuits,
PA Polyamide Nylon
4/6, UL 94V-0,
0.76µm Gold (Au)
Selective Contact
Plating, Tin (Sn) Tail
Plating

This document was generated on 03/08/2013

PLEASE CHECK WWW.MOLEX.COM FOR LATEST PART INFORMATION