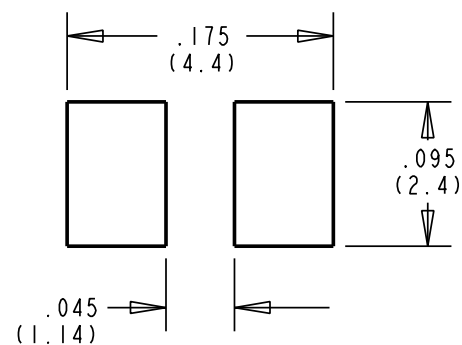
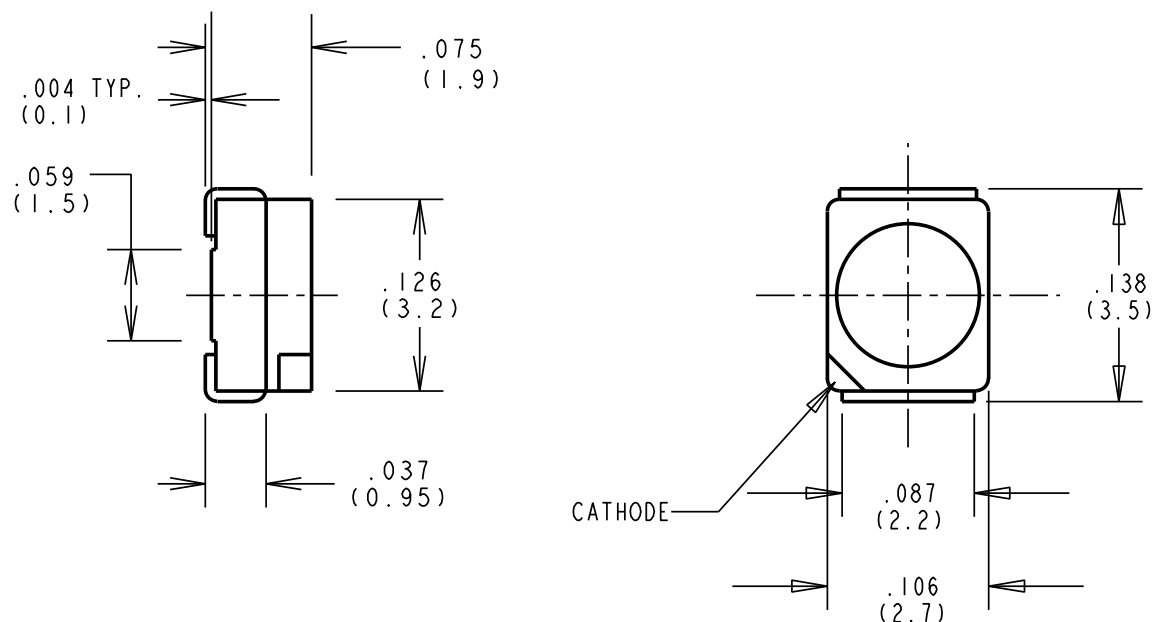
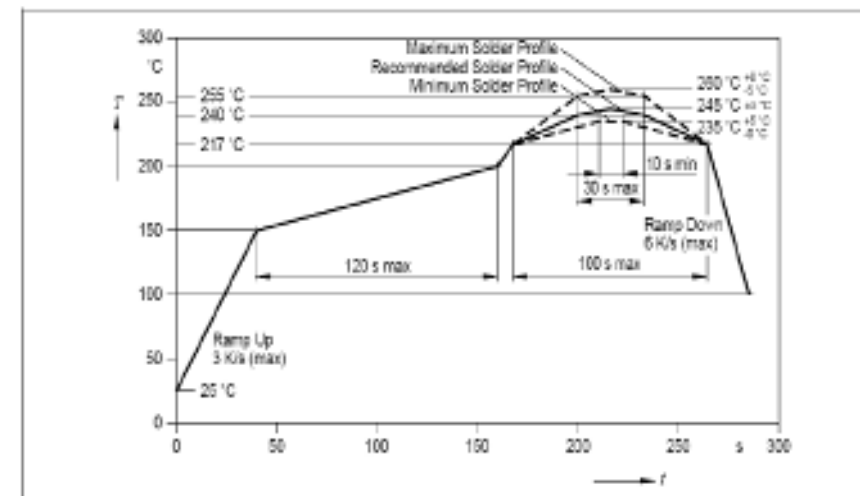


REV	ECN NO	REVISIONS	DRN	CKD	APP	DATE
A		NEW RELEASE	DC	YC	AV	1-4-00
B		ADDED REFLOW PROFILE FOR ROHS COMPLIANT PARTS AND Sn/Pb SOLDERED PARTS; ADDED ESD NOTE & LOGO; ADDED NOTE 10; UPDATED PLATING NOTES; UPDATED FORMAT	TWC			



RECOMMENDED SOLDER PAD LAYOUT



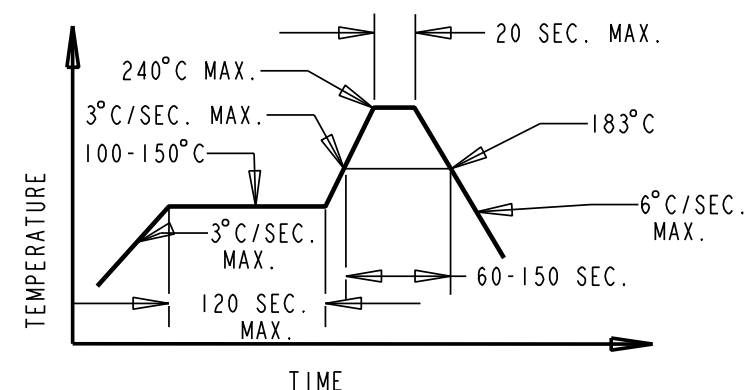
REFLOW PROFILE FOR ROHS COMPLIANT PARTS

OPERATING CHARACTERISTICS AT 25° C AMBIENT

LED CHARACTERISTICS	MIN.	TYP.	MAX.	UNITS	TEST CONDITIONS
LUMINOUS INTENSITY	6.3		16.0	mcd	$I_F = 10 \text{ mA}$
FORWARD VOLTAGE		3.5	4.2	V	$I_F = 10 \text{ mA}$
REVERSE CURRENT		0.01	10	$\mu\text{A}$	$V_R = 5 \text{ V}$
PEAK WAVELENGTH		428		nm	
2 X 1/2-INTENSITY ANGLE		120		DEGREES	



**ATTENTION:**  
OBSERVE PRECAUTIONS FOR  
HANDLING ELECTROSTATIC  
SENSITIVE DEVICES



RECOMMENDED REFLOW  
SOLDERING PROFILE  
FOR 80/20 Sn/Pb PARTS

ABSOLUTE MAXIMUM RATINGS AT 25° C AMBIENT

POWER DISSIPATION	100 mW
CONTINUOUS FORWARD CURRENT	20 mA
DERATE LINEARLY FROM 55° C	0.44 mA/°C
PEAK REVERSE VOLTAGE	5 V
SOLDERING PROFILE: IR - 235°C PEAK 15 SEC., 185°C - 90 SEC. MAX. FOR 597-3601-202, AND -207	
OPERATING AND STORAGE TEMPERATURE	-40 °C TO +100 °C

NOTES:

- EPOXY COLOR: WATER CLEAR.
- DIE: InGaN.
- LEADS: TIN PLATING (Sn) 8.0±2.0 MICROMETERS OVER (Ni) NICKEL, 0.5-1.0 MICROMETERS OVER COPPER ALLOY
- LEADS: 80/20 Sn/Pb SOLDER PLATED FOR DIALIGHT P/Ns 597-3601-202 AND -207.
- SOLDER ADHERANCE: BOTH LEADS PER MIL-STD-202E, METHOD 208C.
- SUFFIX -202 FOR 20-PCS ON A SAMPLE TAPE STRIP.
- SUFFIX -207 FOR 180 mm DIA. REEL, 8 mm WIDE TAPE, PACKAGED 2000-PCS PER REEL WITH A PITCH OF 4 mm.
- DEVICES POSITIONED ON REEL WITH CATHODE SIDE TOWARDS SPROCKET.
- DIALIGHT P/N: 597-3601-202, 597-3601-207.
- TAPE AND REEL LEDS MAY REQUIRE RE-TAPING AFTER TWELVE MONTHS.
- PRODUCT P/N WITH "F" SUFFIX ENDING IS ROHS COMPLIANT. DIALIGHT P/Ns 597-3601-202F & 597-3601-207F LEDS HAVE LEADS PLATED WITH PURE TIN (Sn). SEE NOTE 3a
- THIS ASSEMBLY CONTAINS ELECTROSTATIC DISCHARGE SENSITIVE DEVICES (ESDS). MAINTAIN ALL PRECAUTIONARY MEASURES DURING ASSEMBLY, HANDLING AND STORAGE IN ACCORDANCE WITH IPC-A-610.

THIS DRAWING AND THE CONTENTS HEREIN ARE CONFIDENTIAL AND THE SOLE PROPERTY OF DIALIGHT. REPRODUCTION OF THIS DRAWING OR CONSTRUCTION OF ANY PARTS WITHIN THIS DRAWING ARE FORBIDDEN WITHOUT THE WRITTEN CONSENT OF DIALIGHT.

SCALE: DRAWING SCALE ALL DIM'S IN: INCHES (MM)	DRAWING NUMBER C-16643	REV B
TOLERANCES: UNLESS OTHERWISE SPECIFIED FRACTIONS: ±1/64 DECIMALS (.XX): ±.01 DECIMALS (.XXX): ±.005 DECIMALS (.XXXX): ±.0005 ANGLES: ±1°	TITLE BLUE SMT LED	MATERIAL
FINISH:		
FSCM 83330	1501 ROUTE 34 SOUTH FARMINGDALE, NJ 07727	
SHEET 1 OF 1		FAMILY TABLE: