

FLAT COVER WITH LATCHES, TYPE 4X

INDUSTRY STANDARDS

UL 508A Listed; Type 3, 3R, 4, 4X, 12, 13; File No. E54315
 cUL Listed per CSA C22.2 No 94; Type 3, 3R, 4, 4X, 12, 13; File No. E54315
 Enclosure flammability per UL 508A

NEMA/EEMAC Type 3, 3R, 4, 4X, 12, 13
 CSA File No. 217184: Type 3, 3R, 4, 4X, 12, 13
 IEC 60529, IP66
 Meets NEMA Type 3RX requirements

APPLICATION

Enclosures feature a flat, overlapping cover design that ensures a more-secure seal. Available with solid and window covers. Latches provide easy access and security.

SPECIFICATIONS

- Compression-molded fiberglass construction
- Overlapping solid- and window-cover models are available
- Windows are clear polycarbonate
- Cover fastens with padlockable Type 316 stainless steel latches
- Type 304 stainless steel piano hinges
- Integral mounting brackets

- Enclosures protect equipment and operators from indirect electrical contact
- Material is halogen free

FINISH

Standard fiberglass material is RAL 7035 light-gray inside and out. Optional steel panels are painted white. Optional stainless steel, aluminum, conductive and composite panels are unpainted.

ACCESSORIES

See also Accessories.

- H2OMIT Vent Drains, Type 4X
- HOL-SEALERS Non-Metallic Hole Seals
- Panels for Junction Boxes
- Swing-Out Panel Kit
- Terminal Block Kit Assembly for Junction Boxes Overview

MODIFICATION AND CUSTOMIZATION

Hoffman excels at modifying and customizing products to your specifications. Contact your local Hoffman sales office or distributor for complete information.

BULLETIN: HJ

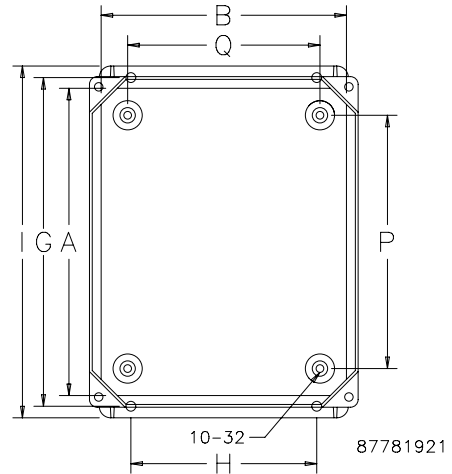
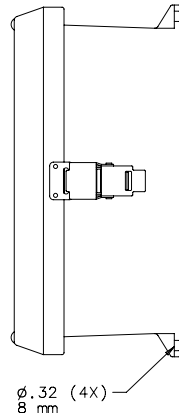
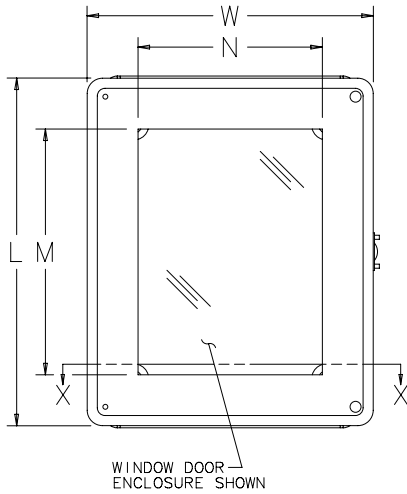
Standard Product

| Catalog Number | AxBxC in./mm | No. of Latches | Window Size | | D in./mm | F in./mm | G in./mm | H in./mm | I in./mm | J in./mm | K in./mm | L in./mm | P in./mm | Q in./mm | W in./mm | Steel Panel | Aluminum Panel | Panel Size in./mm |
|----------------|---|----------------|----------------------------|---|----------|----------|----------|----------|----------|----------|----------|----------|----------|----------|----------|-------------|----------------|----------------------------|
| | | | M x N in./mm | | | | | | | | | | | | | | | |
| HJ606HWPL1LG | 5.71 x 5.72 x 4.05 145 x 145 x 103 | 1 | — | — | 4.90 | 4.62 | 6.75 | 4.00 | 7.51 | 4.28 | 1.38 | 6.00 | 4.25 | 4.25 | 5.97 | A6P6 | A6P6AL | 4.88 x 4.88 124 x 124 |
| HJ806HWPL1LG | 7.71 x 5.72 x 4.05 196 x 145 x 103 | 1 | — | — | 4.90 | 4.62 | 8.75 | 4.00 | 9.51 | 4.28 | 1.38 | 9.31 | 6.25 | 4.25 | 7.31 | A8P6 | A8P6AL | 6.75 x 4.88 171 x 124 |
| HJ1008HWPL1LG | 9.71 x 7.21 x 4.30 247 x 196 x 109 | 1 | — | — | 5.15 | 4.88 | 10.75 | 6.00 | 11.51 | 4.28 | 1.67 | 11.25 | 8.25 | 6.24 | 9.25 | A10P8 | A10P8AL | 8.75 x 6.88 273 x 226 |
| HJ1210HWPL2LG | 11.68 x 9.69 x 4.62 297 x 246 x 117 | 2 | — | — | 5.42 | 5.20 | 12.75 | 8.00 | 13.51 | 4.66 | 1.75 | 13.23 | 10.25 | 8.25 | 11.23 | A12P10 | A12P10AL | 10.75 x 8.88 324 x 276 |
| HJ1412HWPL2LG | 13.81 x 11.81 x 5.99 351 x 300 x 152 | 2 | — | — | 6.79 | 6.44 | 14.75 | 10.00 | 15.51 | 5.63 | 1.75 | 15.29 | 10.24 | 12.26 | 13.29 | A14P12 | A14P12AL | 12.75 x 10.88 375 x 327 |
| HJ1614HWPL2LG | 15.81 x 13.81 x 5.99 402 x 351 x 152 | 2 | — | — | 6.68 | 6.44 | 16.75 | 12.00 | 17.51 | 5.63 | 1.75 | 17.29 | 14.25 | 12.25 | 15.29 | A16P14 | A16P14AL | 14.75 x 12.88 375 x 327 |
| HJ1816HWPL2LG | 17.81 x 15.81 x 8.86 452 x 402 x 225 | 2 | — | — | 9.55 | 9.32 | 18.75 | 12.00 | 19.51 | 8.56 | 1.75 | 19.29 | 16.25 | 14.25 | 17.29 | A18P16 | A18P16AL | 16.75 x 14.88 425 x 378 |
| HJB606HWPL1LG | 5.71 x 5.72 x 4.05 145 x 145 x 103 | 1 | 4.00 x 4.00 102 x 102 | — | 4.90 | 4.62 | 6.75 | 4.00 | 7.51 | 4.28 | 1.38 | 6.00 | 4.25 | 4.25 | 5.97 | A6P6 | A6P6AL | 4.88 x 4.88 124 x 124 |
| HJB806HWPL1LG | 7.71 x 5.72 x 4.05 196 x 145 x 103 | 1 | 6.00 x 4.00 152 x 102 | — | 4.90 | 4.62 | 8.75 | 4.00 | 9.51 | 4.28 | 1.38 | 9.31 | 6.25 | 4.25 | 7.31 | A8P6 | A8P6AL | 6.75 x 4.88 171 x 124 |
| HJB1008HWPL1LG | 9.71 x 7.21 x 4.30 247 x 196 x 109 | 1 | 8.00 x 6.00 203 x 152 | — | 5.15 | 4.88 | 10.75 | 6.00 | 11.51 | 4.28 | 1.67 | 11.25 | 8.25 | 6.24 | 9.25 | A10P8 | A10P8AL | 8.75 x 6.88 273 x 226 |
| HJB1210HWPL2LG | 11.68 x 9.69 x 4.62 297 x 246 x 117 | 2 | 10.00 x 8.00 254 x 203 | — | 5.42 | 5.20 | 12.75 | 8.00 | 13.51 | 4.66 | 1.75 | 13.23 | 10.25 | 8.25 | 11.23 | A12P10 | A12P10AL | 10.75 x 8.88 324 x 276 |
| HJB1412HWPL2LG | 13.81 x 11.81 x 5.99 351 x 300 x 152 | 2 | 12.00 x 10.00 305 x 254 | — | 6.79 | 6.44 | 14.75 | 10.00 | 15.51 | 5.63 | 1.75 | 15.29 | 10.24 | 12.26 | 13.29 | A14P12 | A14P12AL | 12.75 x 10.88 375 x 327 |
| HJB1614HWPL2LG | 15.81 x 13.81 x 5.99 402 x 351 x 152 | 2 | 14.00 x 12.00 356 x 305 | — | 6.68 | 6.44 | 16.75 | 12.00 | 17.51 | 5.63 | 1.75 | 17.29 | 14.25 | 12.25 | 15.29 | A16P14 | A16P14AL | 14.75 x 12.88 375 x 327 |
| HJB1816HWPL2LG | 17.81 x 15.81 x 8.86 452 x 402 x 225 | 2 | 16.00 x 14.00 406 x 356 | — | 9.55 | 9.32 | 18.75 | 12.00 | 19.51 | 8.56 | 1.75 | 19.29 | 16.25 | 14.25 | 17.29 | A18P16 | A18P16AL | 16.75 x 14.88 425 x 378 |

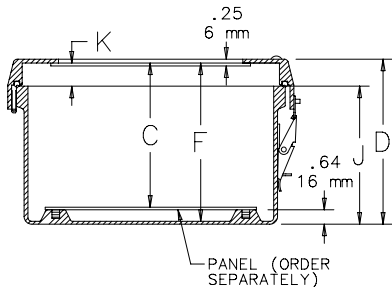
A x B x C are internal dimensions.

Purchase panels separately. Optional stainless steel, composite and aluminum panels are available for most sizes.

Flat Cover Window Enclosures



Top View with Door/Cover Removed



SECTION X-X