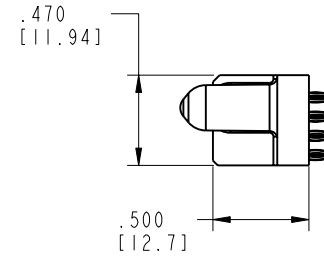
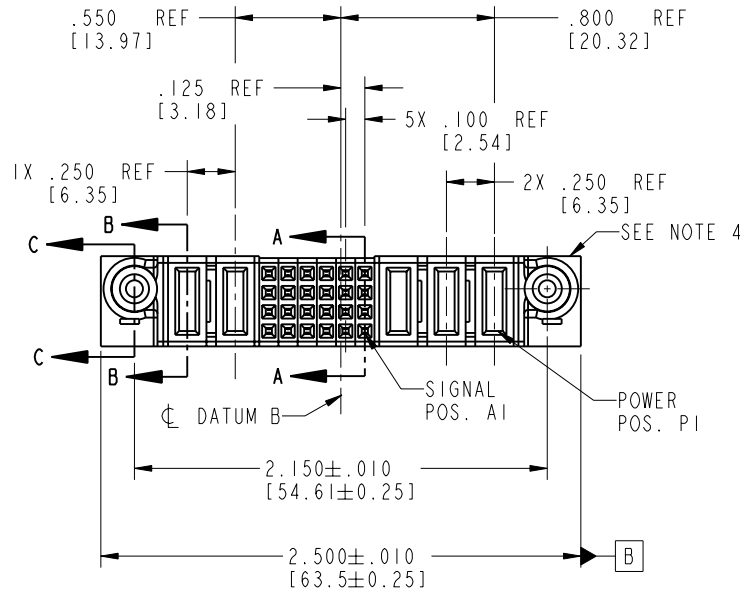


Tous droits strictement réservés. Reproduction ou communication o des liens interdite sous quelque forme que ce soit sans autorisation écrite du propriétaire. Propriété de c FCI. Droits de reproduction FCI.

FCI

All rights strictly reserved. Reproduction or issue to third parties in any form whenever is not permitted without written authority from the proprietor. Property of FCI. Copyright FCI.

PRODUCT NO.	ROWS	POWER		SIGNAL						POWER				
		E2	P5	P4	6	5	4	3	2	1	P3	P2	P1	E1
51750-072-- NOTE ③	D C B A		PF	PF	F	F	F	F	F	F	PC	PC	PC	



CODE	DIM "M" MATING LENGTH	CONTACT TYPE
PF	.092 [2.34]	POWER
PC	.042 [1.07]	POWER
F	N/A [N/A]	SIGNAL

mat'l code				SEE NOTE 2		tolerances unless otherwise specified		CUSTOMER		FCI www.fciconnect.com	
ltr	ecn no.	dr	date	linear	.XX±.01/0.X±0.3	projection		COPY		title	
A	DG06-0023	SW	01/17/05	angles	.XXX±.005/0.XX±0.13			3P + 24S + 2P		VERTICAL PF RECEPT	
				dr	.XXX±.0020/0.XXX±0.051	INCH/MM		product family		code	
				enrg	0°±2°	scale		PwrBlade		213	
				chr		1:1		size		sheet	
				appd				A		I of 4	
sheet index		revision sheet		A	A	A	A				
				1	2	3	4				

cage code 22526

Pro/E

PDM: Rev:A

STATUS: Released

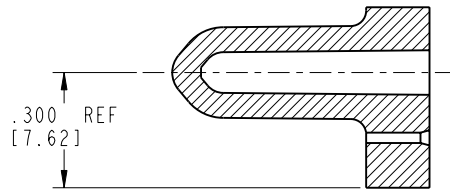
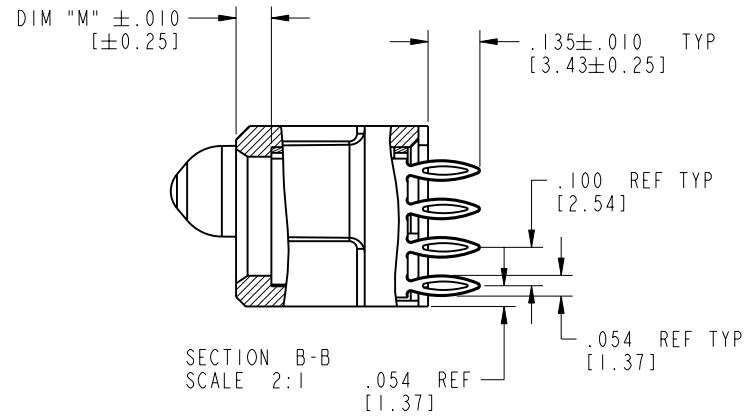
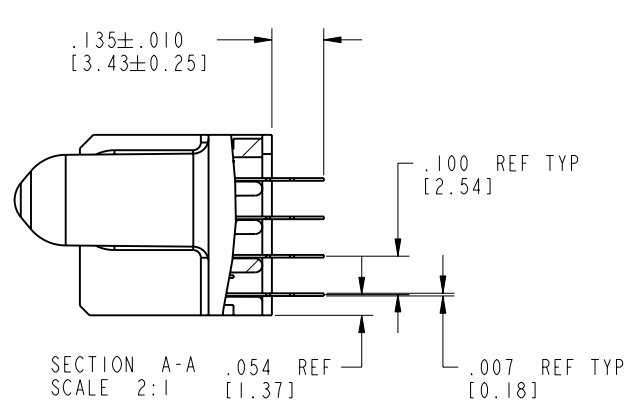
Printed: Dec 20, 2010

Tous droits strictement réservés. Reproduction ou communication o des liers interdite sous quelque forme que ce soit sans autorisation écrite du propriétaire. Propriete de c FCI. Droits de reproduction FCI.


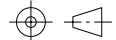
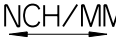
All rights strictly reserved. Reproduction or issue to third parties in any form, whatever is not permitted without written authority from the proprietor. Property of FCI. Copyright FCI.

PRODUCT NUMBER

51750-072--
NOTE(3)



SECTION C-C
SCALE 2:1

mat'l code		SEE NOTE 2		tolerances unless otherwise specified		CUSTOMER		 FCI www.fciconnect.com	
ltr	ecn no.	dr	date	linear	.XX±.01/0.X±0.3	COPY			
A					.XXX±.005/0.XX±0.13	projection		3P + 24S + 2P	
				angles	.XXX±.0020/0.XXX±0.051			VERTICAL PF RECEPT	
				dr	STEVEN WANG 01/17/05	INCH/MM		product family	
				enr	STEVEN WANG 01/17/05			PwrBlade	
				chr	BEER FU 01/17/05	scale		code	
				appd	JOSEPH HSIA 01/17/05	1:1		213	
sheet index	revision sheet							size	
								dwg no	
								A 51750-072	
								sheet	
								2 of 4	

cage code 22526

Pro/E

PDM: Rev:A

STATUS: Released

Printed: Dec 20, 2010

Tous droits strictement réservés. Reproduction ou communication o des liers interdite sous quelque forme que ce soit sans autorisation écrite du propriétaire. Propriété de c FCI. Droits de reproduction FCI.

FCI

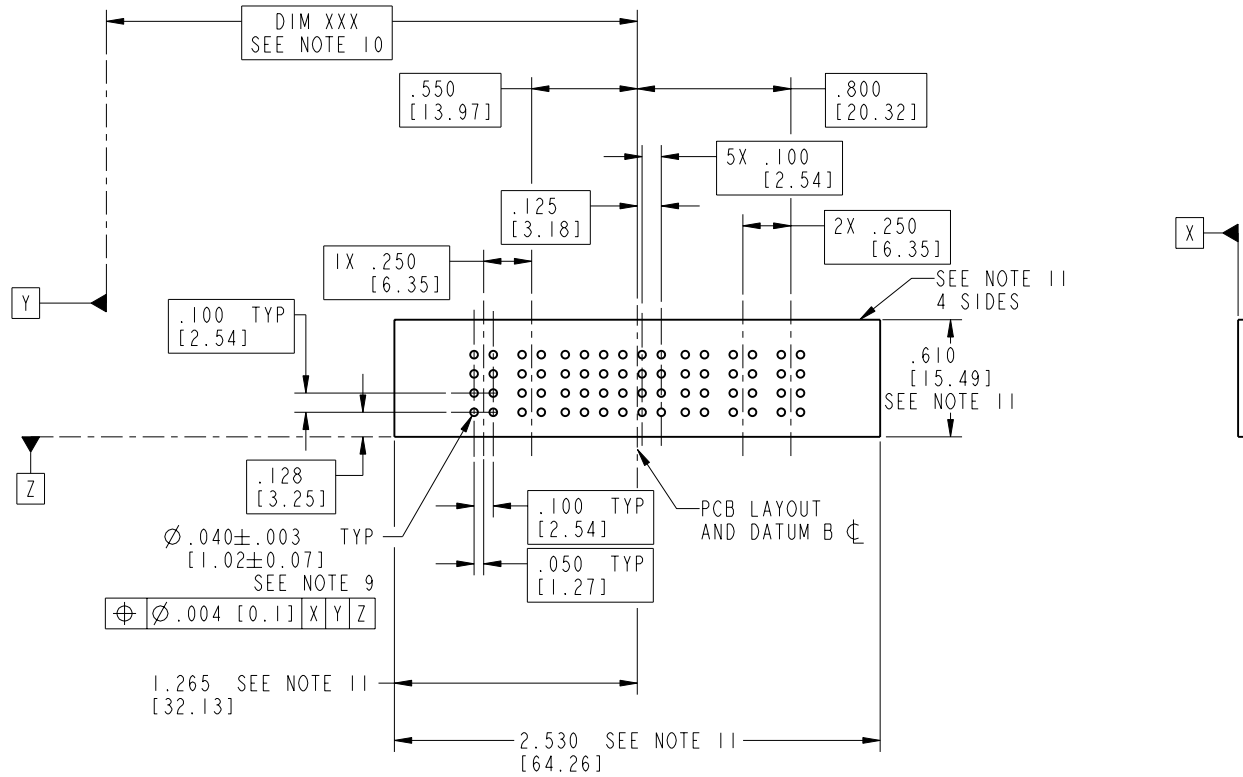
All rights strictly reserved. Reproduction or issue to third parties in any form, whatever is not permitted without written authority from the proprietor. Property of FCI. Copyright FCI.

PRODUCT NUMBER
51750-072---
NOTE ③

1 | 2

3 |

4



mat'l code		SEE NOTE 2		tolerances unless otherwise specified		CUSTOMER		FCI www.fciconnect.com	
lfr	ecn no.	dr	date	linear	.XX±.01/0.X±0.3	projection	COPY	title	3P + 24S + 2P
A				angles	.XXX±.005/0.XX±0.13			VERTICAL PF RECEPT	
				dr	.XXX±.0020/0.XXX±0.051	INCH/MM	product family	PwrBlade	code
				enrg	0° ± 2°	scale	size	dwg no	213
				chr	STEVEN WANG 01/17/05	1:1	A	51750-072	sheet
				appd	STEVEN WANG 01/17/05				3 of 4
					BEER FU 01/17/05				
					JOSEPH HSIA 01/17/05				
sheet index	revision sheet								

1 | 2

Pro/E

3 |

coge code 22526

4

PDM: Rev:A

STATUS: Released

Printed: Dec 20, 2010

Tous droits strictement réservés. Reproduction ou communication o des liers interdite sous quelque forme que ce soit sans autorisation écrite du propriétaire. Propriete de c FCI. Droits de reproduction FCI.

All rights strictly reserved. Reproduction or issue to third parties in any form, whomever is not permitted without written authority from the proprietor. Property of FCI. Copyright FCI.

PRODUCT NUMBER

51750-072--
NOTE ③

NOTES:

1. DIMENSIONS AND TOLERANCES ARE IN ACCORDANCE WITH ASME Y14.5M, 1994 UNLESS OTHERWISE SPECIFIED.

CONNECTOR NOTES:


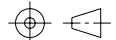
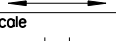
- ② HOUSING MATERIAL: UL 94 V-0 GLASS FILLED
HIGH-TEMP THERMOPLASTIC
POWER CONTACT MATERIAL: COPPER ALLOY
SIGNAL PIN MATERIAL: COPPER ALLOY
- 3. PLATING SPEC.
51750-072,51750-072LF,51750-072GLF PLATING SPEC. WAS SHOWN IN THE PRINT OF 10064183.

- ④ MANUFACTURER'S NAME, P/N, AND DATE CODE TO APPEAR ON THIS SURFACE.
- 5. PRODUCT SPECIFICATION GS-12-149.
APPLICATION SPECIFICATION BUS-20-067.
- 6. PACKAGED IN TRAYS.

PCB NOTES:

- 7. ALL HOLE DIAMETERS ARE FINISHED HOLE SIZE.

- ⑧ MOUNTING HOLES, WHERE APPLICABLE, ARE UNPLATED.
- ⑨ $\varnothing .0453 \pm .0010$ [1.151 ± 0.025] DRILLED HOLES PLATED WITH .0003 [0.008] MIN SnPb OVER .001 [0.03] TO .003 [0.08] Cu PLATING TO ACHIEVE $\varnothing .040 \pm .003$ [1.02 ± .07] HOLE.
- ⑩ "DIM XXX" TO BE DETERMINED BY THE CUSTOMER.
- ⑪ CONNECTOR KEEP-OUT ZONE.

mat'l code		SEE NOTE 2		tolerances unless otherwise specified		CUSTOMER		 FCI www.fciconnect.com	
ltr	ecn no.	dr	date	linear	.XX±.01/0.X±0.3	COPY			
A				linear	.XXX±.005/0.XX±0.13	projection		title	
				angles	.XXX±.0020/0.XXX±0.051			3P + 24S + 2P VERTICAL PF RECEPT	
				dr	STEVEN WANG 01/17/05	INCH/MM		product family	
				enr	STEVEN WANG 01/17/05			PwrBlade	
				chr	BEER FU 01/17/05	scale		code	
				appd	JOSEPH HSIA 01/17/05	1:1		213	
sheet index		revision sheet				A		size	
								dwg no	
								51750-072	
								sheet	
								4 of 4	

cage code 22526

Pro/E

PDM: Rev:A

STATUS: Released

Printed: Dec 20, 2010