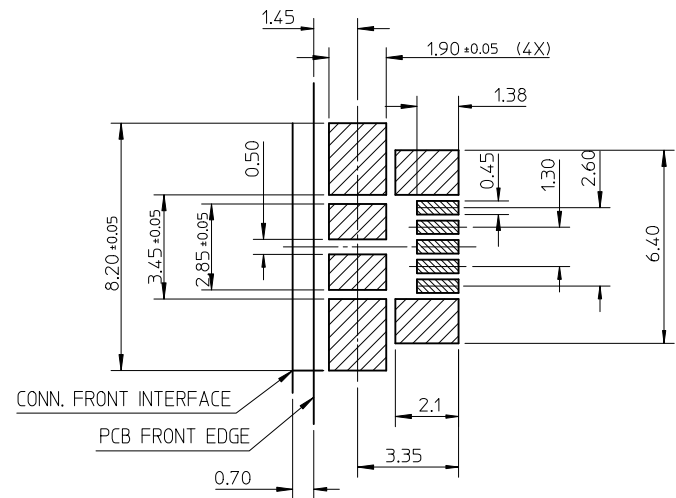
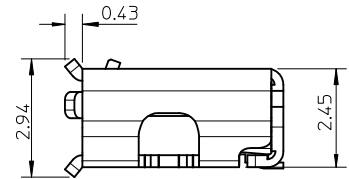
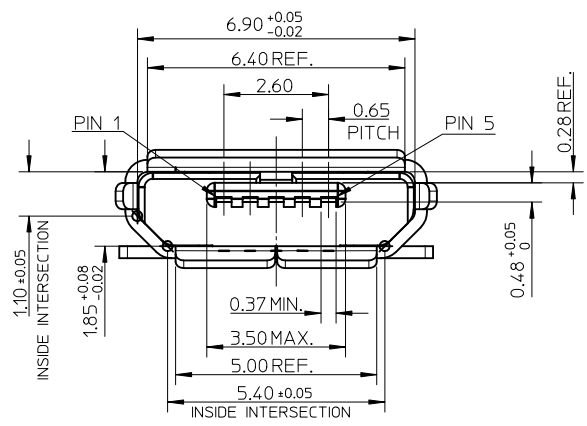
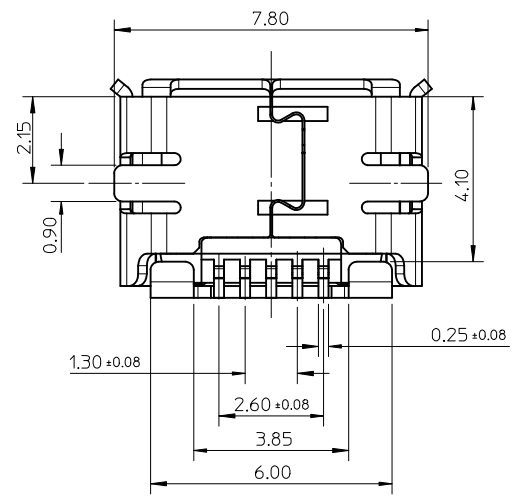


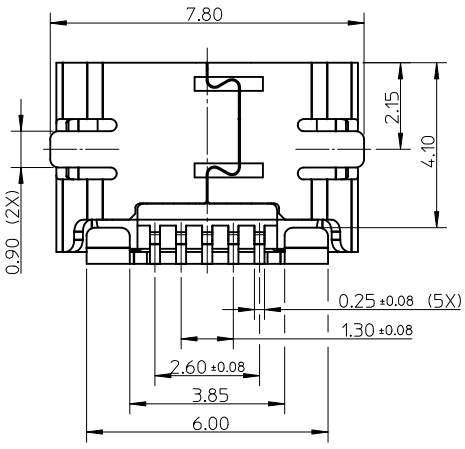
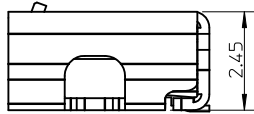
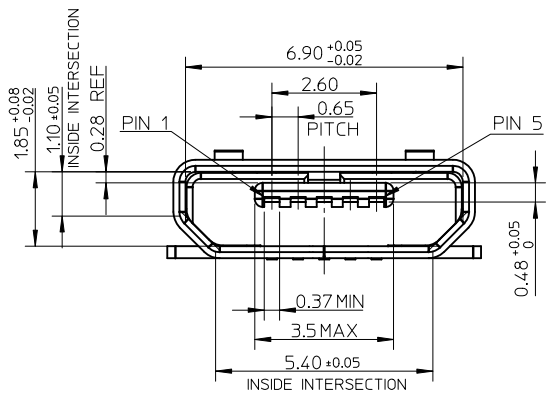
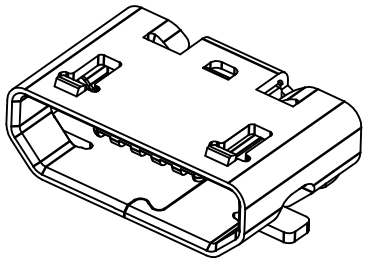
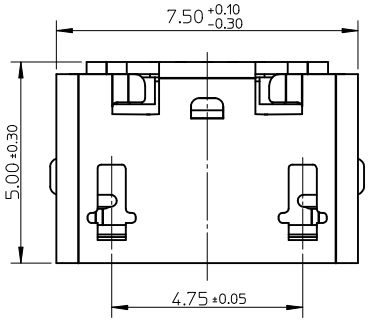
- NOTES:
- MATERIAL:
 - HOUSING: LCP, BLACK, UL94V-0;
 - TERMINAL: COPPER ALLOY, THICKNESS: 0.15mm;
 - SHELL: STAINLESS STEEL, THICKNESS: 0.30mm.
 - PLATING:
 - TERMINAL:
 - CONTACT AREA: GOLD FLASH OVER MINIMUM 0.75MICRON Pd/Ni;
 - SOLDER TAIL AREA: GOLD FLASH;
 - UNDER PLATING: NICKEL 2.0MICRON MINIMUM.
 - SHELL:
 - MATTE TIN 3.8MICRON MINIMUM;
 - UNDER PLATING: NICKEL 1.27MICRON MINIMUM.
 - TAIL & NAIL COPLANARITY 0.08mm MAXIMUM.
 - PRODUCT SPECIFICATION: PS-47346-001.
 - PACKAGE SPECIFICATION: PK-47346-001.
 - COMPLIANT TO RoHS DIRECTIVE 2002/95/EC AND ELV 2000/53/EC.



RECOMMENDED P.C.B. PATTERN LAYOUT



ADD PART NUMBER EC NO: SH2012-0250 DRWN: XQZHANG 2012/03/13 CH'KD: XQZHANG 2012/03/30 APPR: AYIN 2012/04/10	REV B	DESCRIPTION MICRO USB B REC. BOTTOM MOUNT ASS'Y	QUALITY SYMBOLS F ₀ = 0 F ₀ = 0 F ₀ = 0	GENERAL TOLERANCES (UNLESS SPECIFIED)		DIMENSION STYLE MM ONLY		SCALE 8:1	DESIGN UNITS METRIC	THIRD ANGLE PROJECTION		
				mm	INCH	DRAWN BY	DATE	TITLE				
				4 PLACES ± ---	± ---	XJSONG	2006/12/11	MICRO USB B REC. BOTTOM MOUNT ASS'Y				
				3 PLACES ± ---	± ---	CHECKED BY	DATE	molex				
2 PLACES ± 0.25	± ---	IWANG	2006/12/11	MATERIAL NO.		DOCUMENT NO.			SHEET NO.			
1 PLACE ± 0.25	± ---	APPROVED BY	DATE	47346-0001		SD-47346-001			1 OF 2			
0 PLACE ±	±	JNCHEN	2006/12/11	THIS DRAWING CONTAINS INFORMATION THAT IS PROPRIETARY TO MOLEX INCORPORATED AND SHOULD NOT BE USED WITHOUT WRITTEN PERMISSION								
ANGULAR ± 3 ° DRAFT WHERE APPLICABLE MUST REMAIN WITHIN DIMENSIONS												



SEE SHEET 1 EC NO: SH2012-0250 DRWN: XQZHANG 2012/03/13 CHKD: XQZHANG 2012/03/30 APPR: AYTN 2012/04/10	REV	DESCRIPTION	QUALITY SYMBOLS	GENERAL TOLERANCES (UNLESS SPECIFIED)	DIMENSION STYLE	SCALE	DESIGN UNITS	THIRD ANGLE PROJECTION	
				mm INCH	MM ONLY	8:1	METRIC		
			$\nabla_{\sqrt{3}}=0$	4 PLACES ± --- ± ---	DRAWN BY DATE	TITLE			
			$\nabla_{\sqrt{2}}=0$	3 PLACES ± --- ± ---	CHECKED BY DATE	MICRO USB B REC. BOTTOM MOUNT ASS'Y FLANGELESS TYPE			
			$\nabla_{\sqrt{2}}=0$	2 PLACES ± 0.25 ± ---	APPROVED BY DATE				
			$\nabla_{\sqrt{2}}=0$	1 PLACE ± 0.25 ± ---	JNCHEN 2006/12/11				
				0 PLACE ± ±	MATERIAL NO. DOCUMENT NO.	SHEET NO.			
				ANGULAR ± 3°	47346-1001	2 OF 2			
				DRAFT WHERE APPLICABLE MUST REMAIN WITHIN DIMENSIONS	THIS DRAWING CONTAINS INFORMATION THAT IS PROPRIETARY TO MOLEX INCORPORATED AND SHOULD NOT BE USED WITHOUT WRITTEN PERMISSION				