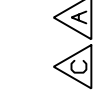
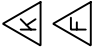
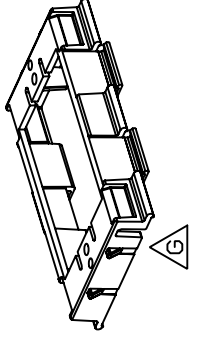
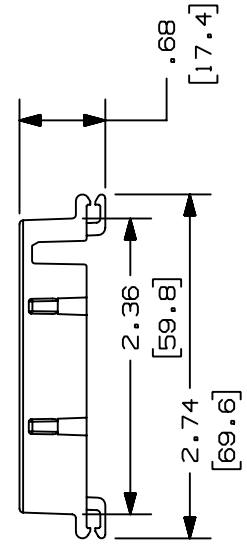
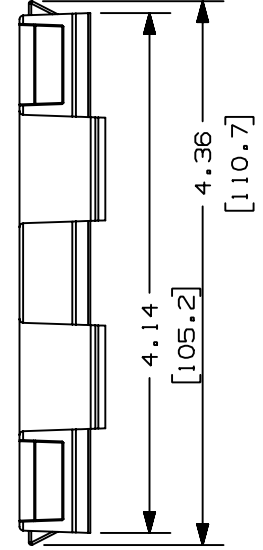
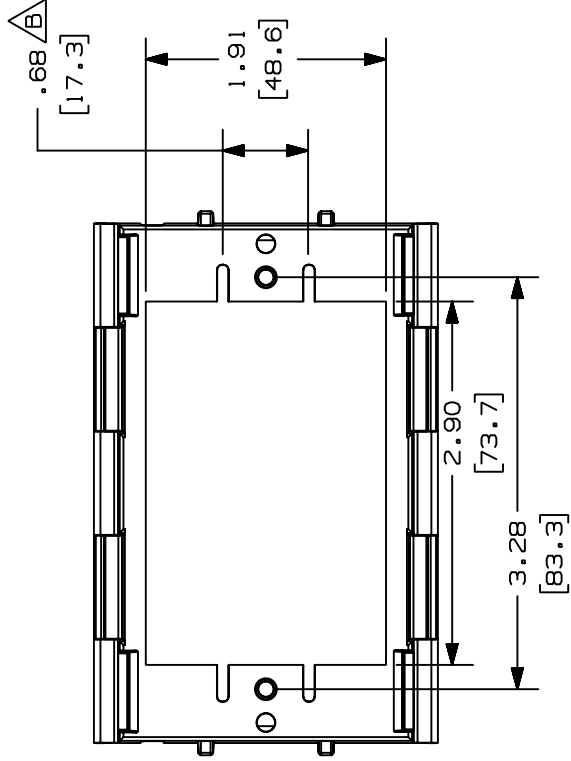


THIS COPY IS PROVIDED ON A RESTRICTED BASIS AND IS NOT TO BE USED IN ANY WAY DETRIMENTAL TO THE INTERESTS OF PANDUIT CORP.

PANDUIT P/N	WEIGHT
T70DB	.05 LB / EACH (24.679 / EACH)



- NOTES:
- SEE CURRENT CATALOG FOR ADDITIONAL PART SUFFIXES TO INDICATE COLOR AND OR PACKAGE QUANTITY.
 - USED TO MOUNT NEMA STANDARD ELECTRICAL RECEPTACLES AND BRAZILIAN POWER RECEPTACLES IN 70mm RACEWAYS.
 - NOMINAL WALL THICKNESS OF THE T70DB IS .100(2.5).
 - DIMENSIONS IN PARENTHESIS ARE IN METRIC.
 - ACCEPTS PANDUIT SNAP-ON STYLE FACEPLATES.



CAD FILENAME/LAYERS D35541CF_DC_T70DB_04B.PRT

PANDUIT		CORP. TINLEY PARK, ILLINOIS	
70mm HANGING DEVICE BRACKET (T70DB)		CUSTOMER DRAWING	
UNLESS OTHERWISE SPECIFIED, DIMENSIONAL TOLERANCES ARE: (.X) ± .XXX (.010(.3)) (.XX) ± .03(.8) ANGLES ±		UNLESS OTHERWISE SPECIFIED, ALL DIMENSIONS ARE GIVEN IN INCHES, THIRD ANGLE PROJECTION.	
SCALE	NONE		
DRAWN BY	MATT'L:		
DATE	PVC		
CHECKED BY	CEP		
DWG NO.	35541-32		
SIZE	A		

REV	DATE	BY	CHK	DESCRIPTION	ECN	CHK	CUST	SUP
5	04-08-01	REWE	BKR	K. REVISED WEIGHT AND UNITS J. REVISED NOTE #2: 70mm WAS T-70 AND TWIN-70	35541-32	HIW	HIW	HIW
4	03-05-01	REWE	BKR	H. TWIN-70 WAS T702 G. REVISED PART GEOMETRY; REVISED SLOT	35541-32	HIW	HIW	HIW
-	-----	---	---	F. 5.08 LB (2652g) WAS 4.62 LB (2411g)	35541-32	---	---	---
3	12-20-98	M50	HIW	E. PVC WAS ABS/POLYCARBONATE D. REVISED DRAWING TITLE: T-70 WAS T70	35541-32	HIW	HIW	HIW
2	05-11-98	DW	HIW	C. REVISED WEIGHT AND ADDED NOTE 5 B. DIMENSIONS REVISED TO SHOW NEW FEATURES	35541-32	HIW	HIW	HIW
1	02-17-97	DW	CEF	A. ADDED WEIGHT	35541-32	CEF	CEF	CEF
R	09-20-96	DW	CEF	RELEASED TO PRODUCTION	35541-32	CEF	CEF	CEF