

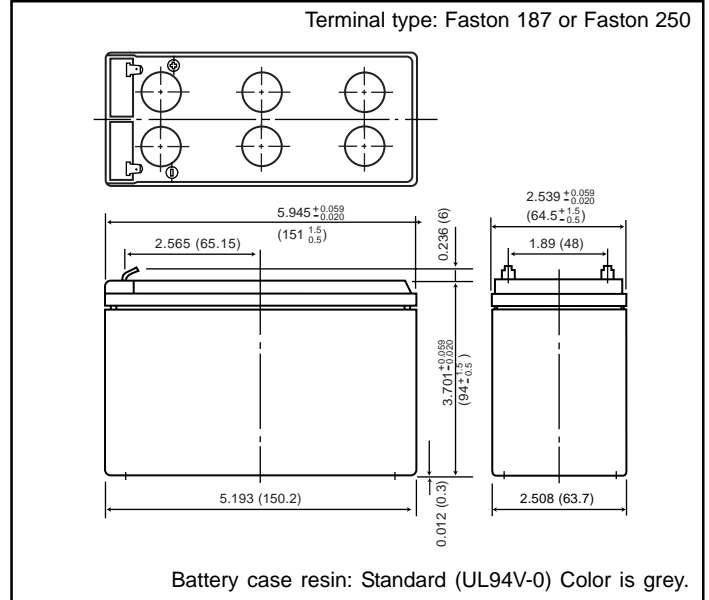
# VALVE-REGULATED LEAD ACID BATTERIES: INDIVIDUAL DATA SHEET

## LC-P127R2P



For standby power supplies. Expected trickle life: Approx. 6 years at 25°C, Approx. 10 years at 20°C.

### Dimensions (mm)



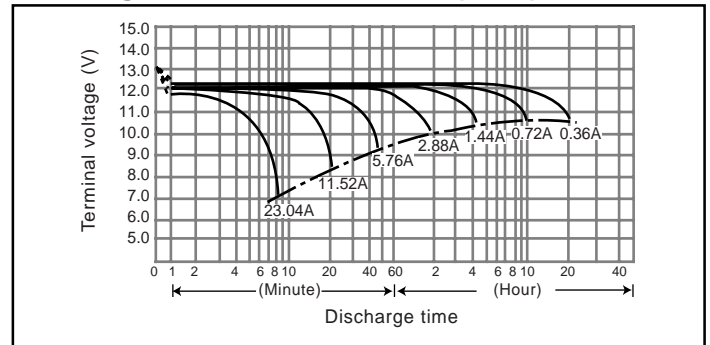
### Specifications

|                                      |                      |                         |
|--------------------------------------|----------------------|-------------------------|
| <b>Nominal Voltage</b>               |                      | 12V                     |
| <b>Rated capacity (20 hour rate)</b> |                      | 7.2Ah                   |
| <b>Dimensions</b>                    | <b>Length</b>        | 5.945 inches (151.0 mm) |
|                                      | <b>Width</b>         | 2.539 inches (64.5 mm)  |
|                                      | <b>Height</b>        | 3.702 inches (94.0 mm)  |
|                                      | <b>Total Height*</b> | 3.937 inches (100.0 mm) |
| <b>Approx. mass</b>                  |                      | 5.516 lbs. (2.50 kg)    |
| <b>Standard Terminals and Resin</b>  | UL94V-0 Faston 250   | LC-P127R2P1             |
| <b>Optional Terminals and Resin</b>  | UL94V-0 Faston 187   | ◆ LC-P127R2P            |

\* The total height with #250 terminal is 101.5mm.

◆ Please contact Panasonic for availability on optional items. Optional items may be subject to minimum order quantities.

### Discharge characteristics 77°F (25°C) (Note)



### Characteristics

|   |   |  |                                    |
|---|---|--|------------------------------------|
| Capacity (note)<br>77°F (25°C)                    | 20 hour rate (360mA)                              | 7.2Ah                                      |                                    |
|   | 10 hour rate (680mA)                              | 6.8Ah                                      |                                    |
| Internal Resistance                               | 5 hour rate (1260mA)                              | 6.3Ah                                      |                                    |
|   | 1 hour rate (4900mA)                              | 4.9Ah                                      |                                    |
|   | 1.5 hour rate discharge<br>Cut-off voltage 10.5 V | 3.5A                                       |                                    |
| Temperature dependency of capacity (20 hour rate) | Fully charged battery<br>77°F (25°C)              | Approx. 40mΩ                               |                                    |
|   | 104°F (40°C)                                      | 102%                                       |                                    |
|   | 77°F (25°C)                                       | 100%                                       |                                    |
|   | 32°F (0°C)  | 85%  |                                    |
| Self discharge<br>77°F (25°C)                     | 5°F (-15°C)                                       | 65%  |                                    |
|   | Residual capacity after standing 3 months         | 91%  |                                    |
|   | Residual capacity after standing 6 months         | 82%  |                                    |
| Charge Method (Constant Voltage)                  | Trickle use                                       | Residual capacity after standing 12 months | 64%                                |
|   |   | Initial current                            | 1.08 A or smaller                  |
|   |   | Control voltage                            | 13.6V to 13.8V (per 12V cell 25°C) |

(Note) The above characteristics data are average values obtained within three charge/discharge. Cycles not the minimum values.

(Note) For cycle use of the battery, please contact us in advance.

### Duration of discharge vs. Discharge current (Note)

