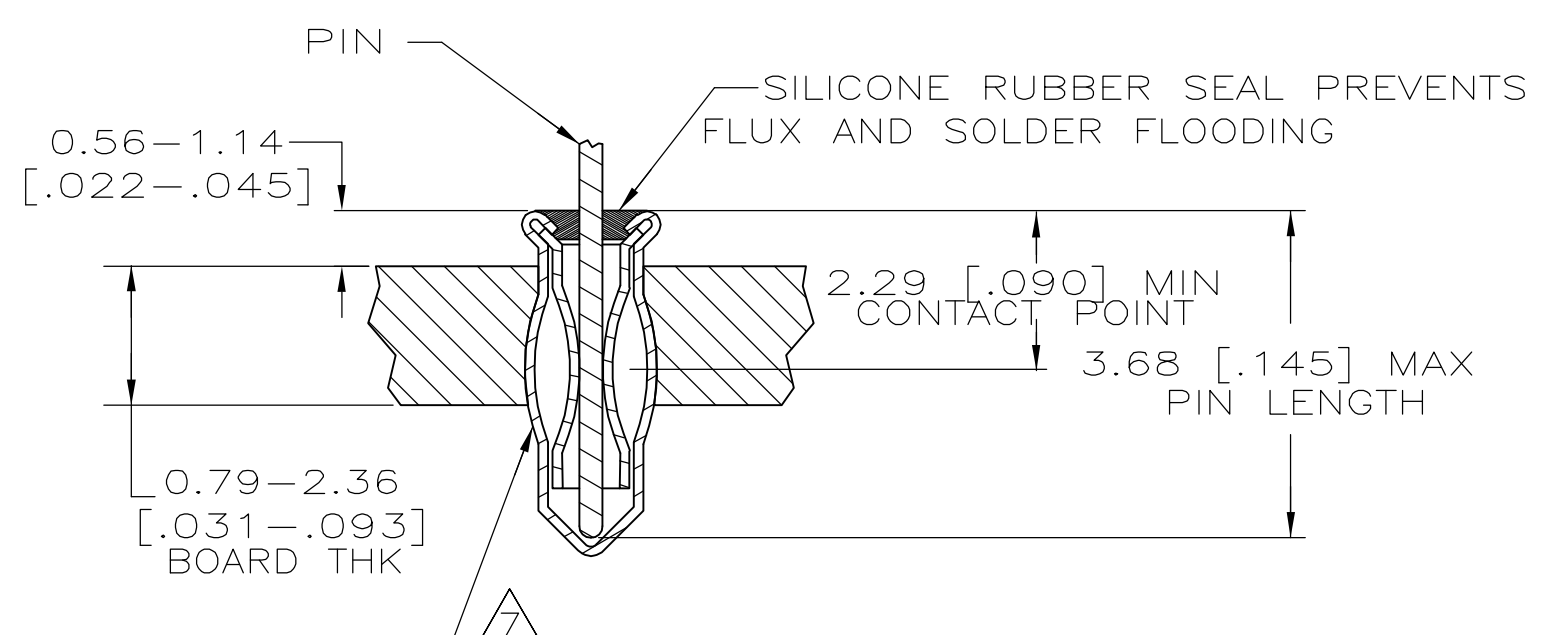
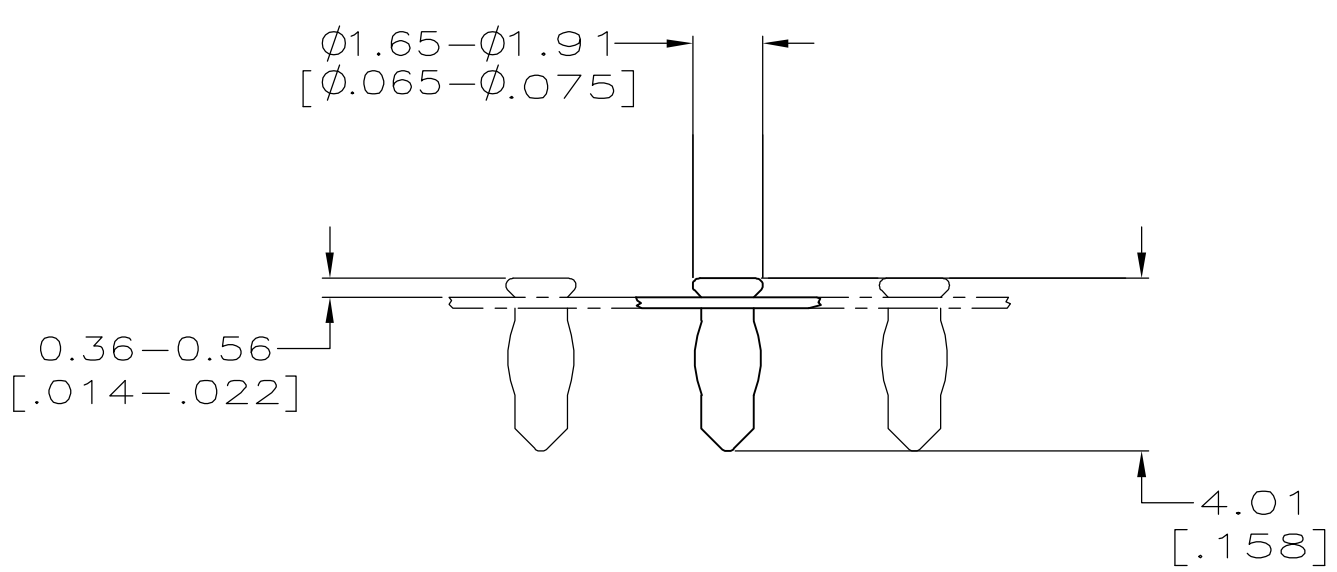
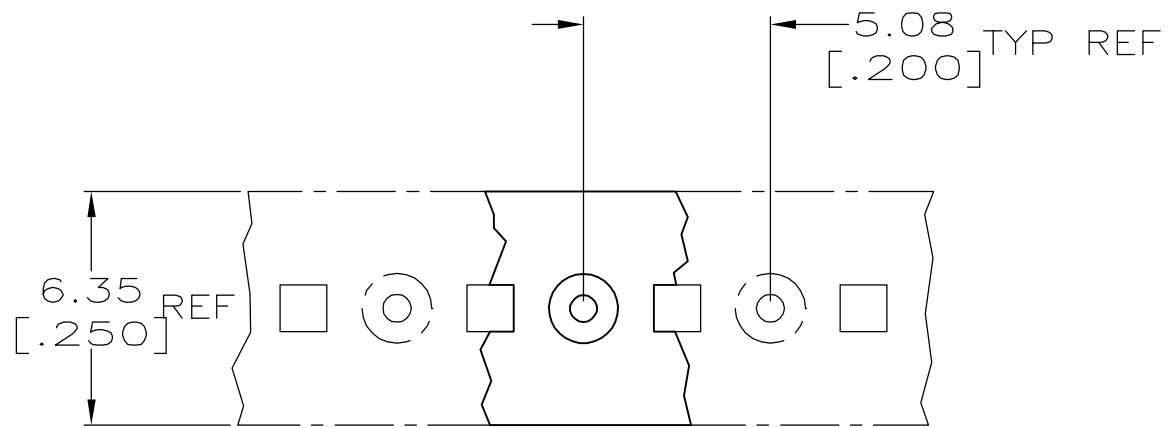


| LOC | DIST | P | F | ZONE | LTR | REVISIONS | DATE | APPD |
|-----|------|---|---|------|-----|-----------------------|---------|------|
| AG | 53 | | | | f1 | REV PER ECO-06-018763 | 07FEB07 | JGH |



- 1 MATERIAL:
 EYELET - COPPER (QQ-C-576)
 SPRING - BERYLLIUM COPPER (QQ-C-533)
 SEALANT - SILICONE RUBBER
- 2 TIN PLATE (MIL-T-10727)0.00381 [.000150] MIN THK.
- 3 TIN PLATE(MIL-T-10727)0.00254 [.000100] MIN THK.
- 4 GOLD PL(MIL-G-45204)0.00076 [.000030] MIN THK ON CONTACT AREA.
- 5 PACKAGED 50,000 PER REEL
- 6 TO INSURE 1/2 OZ MIN RETENTION DO NOT EXCEED 0.10 [.004] DIFFERENCE IN PIN DIA WHEN CHANGING TO A SMALLER DIA PIN
- 7 PRODUCT IS OVALIZED FOR RETENTION IN THE P.C. BOARD. THE RECOMMENDED HOLE DIAMETER IS Ø1.32 [Ø.052] MINIMUM, +0.08 [.003] MAX. PRIOR TO SOLDERING.
- 8 PACKAGED 10,000 PER REEL

| | | | | | | |
|----------|--------------------------|------------------------------|--------|-------|---|------------|
| OBSOLETE | 2.29-3.68 [.090-.145] | Ø0.36-Ø0.56 [Ø.014-Ø.022] | GOLD 4 | TIN 2 | 8 | 1-645953-5 |
| | 2.29-3.68 [.090-.145] | Ø0.51-Ø0.66 [Ø.020-Ø.026] | GOLD 4 | TIN 2 | 8 | 1-645953-2 |
| OBSOLETE | 2.29-3.68 [.090-.145] | Ø0.51-Ø0.66 [Ø.020-Ø.026] | TIN 3 | TIN 2 | 8 | 1-645953-1 |
| OBSOLETE | 2.29-3.68 [.090-.145] | Ø0.36-Ø0.56 [Ø.014-Ø.022] | GOLD 4 | TIN 2 | 5 | 645953-5 |
| OBSOLETE | 2.29-3.68 [.090-.145] | Ø0.51-Ø0.66 [Ø.020-Ø.026] | GOLD 4 | TIN 2 | 5 | 645953-2 |
| OBSOLETE | 2.29-3.68 [.090-.145] | Ø0.51-Ø0.66 [Ø.020-Ø.026] | TIN 3 | TIN 2 | 5 | 645953-1 |

| | LENGTH | DIA | SPRING | EYELET | PART NO |
|--------------------------------------------------------------------------------|--------------------------|-------|-----------|------------|---------|
| DO NOT SCALE PRINT. UNLESS SPECIFIED DIMENSIONS IN mm [INCHES] TOLERANCES ON : | DR 12-20-82 M.BOWERS | | | | |
| 2 PLC DEC ± - | CHK 6-10-85 P.MUTZABAUGH | | | | |
| 3 PLC DEC ± 0.20[.008] | APPD 6-10-85 G.D.MILLER | | | | |
| ANGLES ± - | APPD 6-10-85 ER.RALSTON | | | | |
| MATERIAL | PRODUCT SPEC | | | | |
| FINISH | APPLICATION SPEC | SIZE | CAGE CODE | DRAWING NO | |
| SEE TABLE | 114-26004 | C | 00779 | C= 645953 | |
| | WEIGHT - | SCALE | NTS | SHEET | 1 OF 1 |

THIS DRAWING IS A CONTROLLED DOCUMENT FOR AMP INCORPORATED. IT IS SUBJECT TO CHANGE AND THE CONTROLLING ENGINEERING ORGANIZATION SHOULD BE CONTACTED FOR THE LATEST REVISION.