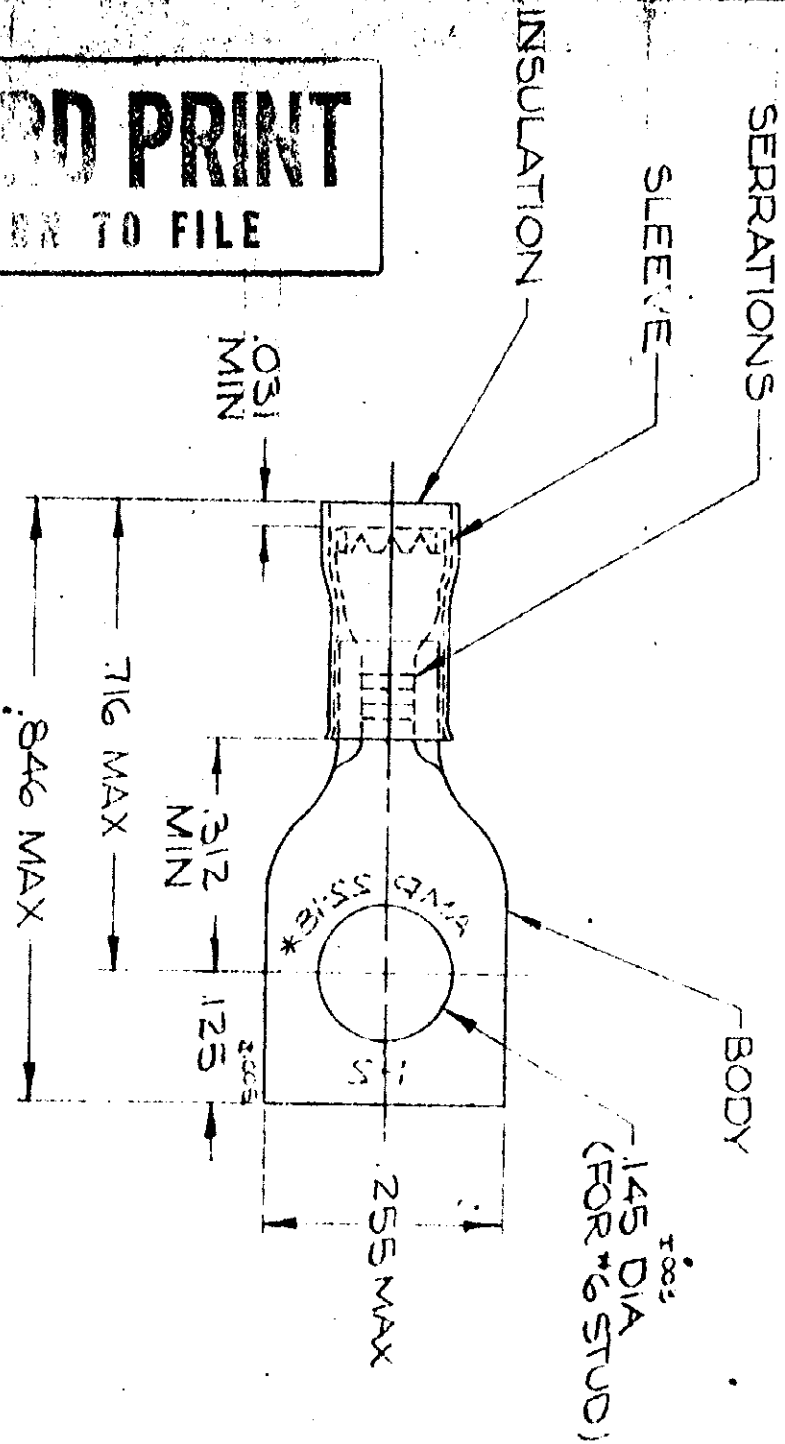


DRAWING MADE IN AMERICAN PROJECTION

LOC 6
PRINT 0131
141
2

© 1958 BY AMP INCORPORATED. ALL RIGHTS RESERVED. AMP PRODUCTS COVERED BY PATENTS AND/OR PATENTS PENDING.

REVISIONS		DATE	APPROVED
LTR	DESCRIPTION		
C	REDRAWN REV ADDED TYPE NO 3630	5-11-71	ECY



RECORD PRINT
RETURN TO FILE

TONGUE MATERIAL THK = .031
FOR .080 TO .125 WIRE INSULATION DIA
MARKING: 22-18 FOR MILITARY
COMMERCIAL RANGE 22-16

1	320629 ON TAPE	2320629-1	INSULATION: NYLON, (MIL-IT-20693) NET COLOR RED
1	WIRE TERMINAL	320629	BODY & SLEEVE: COPPER (QQ-C-576) TIN PL (MIL-T-10727)
QTY DESCRIPTION		PART NO.	MATERIAL & FINISH
DIMENSIONS OTHERWISE SPECIFIED IN INCHES TOLERANCES ON: DECIMALS .008 ANGLES ± 30°			
CONTRACT NO. 4		DR. 3-9-71	AMP INCORPORATED HARRISBURG, PENNSYLVANIA
CHK. 3-11-71		APPD. 3-15-71	NAME: WIRE TERMINAL P.L.D.G. - RECTANGULAR TONGUE WIRE SIZE: 22-16
REL. 3-15-71		DSGN. 3-15-71	SIZE: A
OTHER APPD.		SCALE: NTS	CODE IDENT NO. 00779
SEE TABLE		NUMBER	320629
		SHEET	1 OF 1