

4

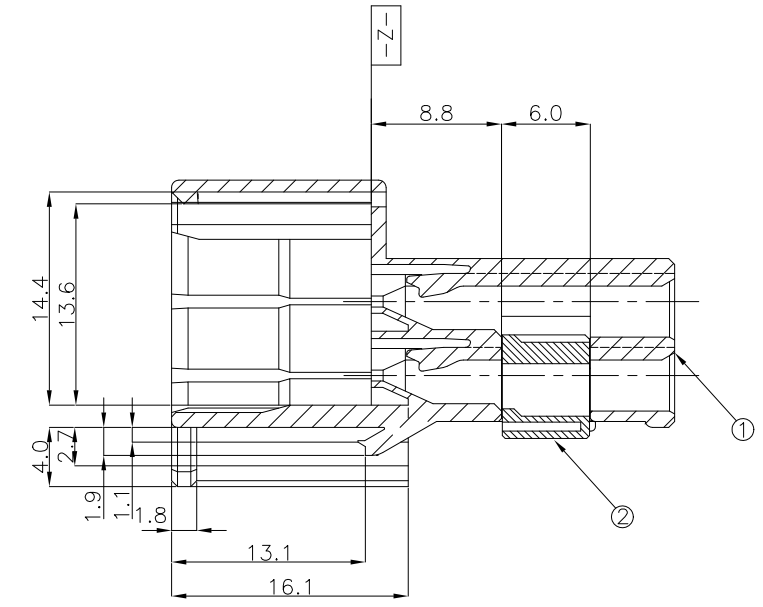
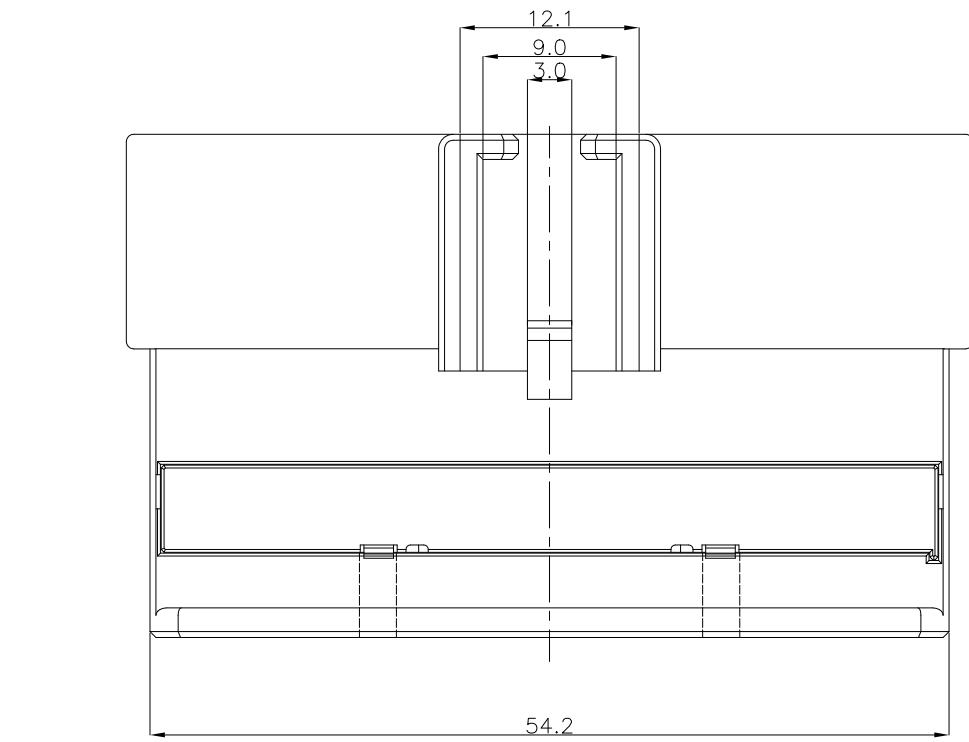
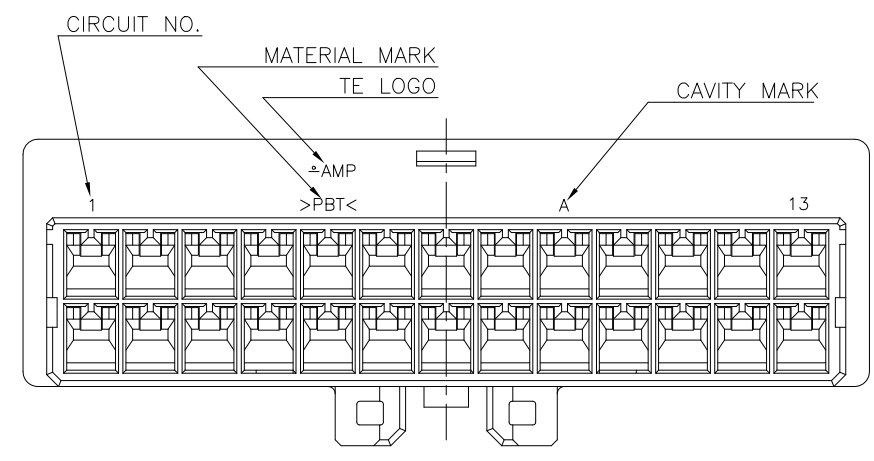
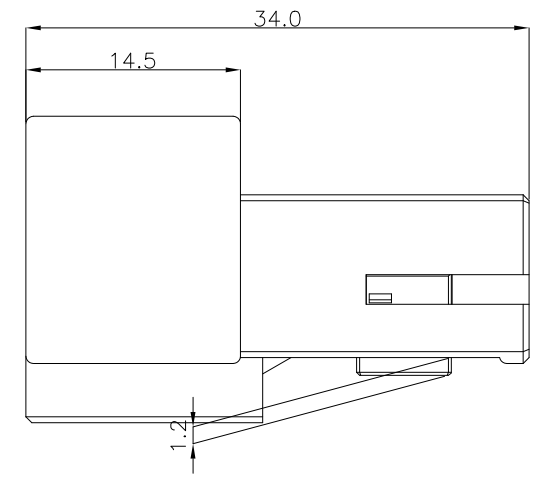
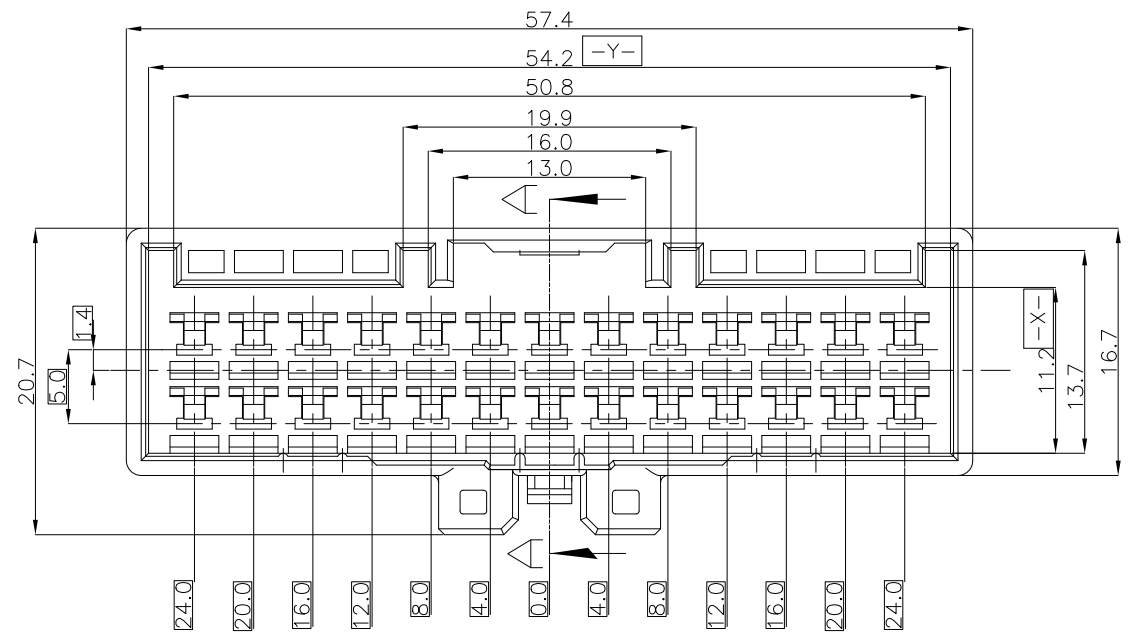
3

2

1

THIS DRAWING IS UNPUBLISHED. RELEASED FOR PUBLICATION  
COPYRIGHT BY TYCO ELECTRONICS CORPORATION, ALL RIGHTS RESERVED.

LOC	DIST	REVISIONS					
		P	LTR	DESCRIPTION	DATE	DWN	APVD
DS	-		A	REVISED (ECR-05-016520)	29.NOV.'05	IS	JK
			A1	REVISED (ECR-09-005035)	24.MAR.'09	KT	HG



NOTES.  
 1. THE MATING HSG. P/N ; 936098  
 2. APPLIED CONTACT P/N ; 090 II TAB. - 368086, 368087, 368088, 1897752

-주기-  
 1. 상대 하우징 P/N. ; 936098  
 2. 적용단자 P/N. ; 090 II TAB. - 368086, 368087, 368088, 1897752

ASSY P/N
0-936133-8
0-936133-7
0-936133-6
0-936133-5
0-936133-4
0-936133-3
0-936133-2
0-936133-1

NO	COLOR	MATERIAL	DESCRIPTION	P/N	QTY
1	BLUE	PBT	CAP	0-936134-8	1
	GREEN	PBT	CAP	0-936134-7	1
	RED	PBT	CAP	0-936134-6	1
	YELLOW	PBT	CAP	0-936134-5	1
	BROWN	PBT	CAP	0-936134-4	1
	D/GRAY	PBT	CAP	0-936134-3	1
	BLACK	PBT	CAP	0-936134-2	1
	NATURAL	PBT	CAP	0-936134-1	1
2	NATURAL	PBT	DBL	0-936100-1	1 1 1 1 1 1 1 1 1

SECTION A-A

THIS DRAWING IS A CONTROLLED DOCUMENT FOR TYCO ELECTRONICS CORPORATION IT IS SUBJECT TO CHANGE AND THE CONTROLLING ENGINEERING ORGANIZATION SHOULD BE CONTACTED FOR THE LATEST REVISION.

DIMENSIONS: MM	TOLERANCES UNLESS OTHERWISE SPECIFIED: 0 <XX<10 ± 0.2 10<XX<30 ± 0.25 30<XX ± 0.3 ANGLES ± 3°
MATERIAL	FINISH
SEE TABLE	

DWN KT JUNG  
 CHK JW JUNG  
 APVD HG CHD  
 PRODUCT SPEC -  
 APPLICATION SPEC -  
 WEIGHT -

**Tyco Electronics** AMP KOREA, Kyungsan, Korea  
 NAME: 090III 26P CAP ASS'Y  
 SIZE: A3 CAGE CODE: 00779 DRAWING NO: C-936133 RESTRICTED TO: -  
 CUSTOMER DRAWING SCALE: 2/1 SHEET: 1 OF 1 REV: A1