

NOTES

1. MATERIAL

HOUSING	LIQUID CRYSTAL POLYMER GLASS FILLED,UL94V-0(BEIGE)		4. FITTING NAIL FOR PREVENTION OF PEELING OF P.C.B. PATTERN.
ACTUATOR	PPS GLASS FILLED, UL94V-0(BLACK)		5. R0.3 MUST NOT BE OVERLAPPED TO PATTERN OF FPC/FFC.
TERMINAL	PHOSPHOR BRONZE		6. N: CIRCUIT.
FITTING NAIL	PHOSPHOR BRONZE		7. ELV AND RoHS COMPLIANT
2. PLATING

TERMINAL	CONTACT AREA : SEPARATED GOLD PLATING (0.05 MICROMETER MINIMUM) SOLDER TAIL AREA : SEPARATED GOLD PLATING UNDERPLATE : NICKEL OVERALL (1.0 MICROMETER MINIMUM)
FITTING NAIL	TIN PLATING (1.0 MICROMETER MIN.) UNDER PLATING : NICKEL PLATING (1.0 MICROMETER MIN.)
3. IN THE PACKAGE, ACTUATOR OF PART 104060-**10 SHOULD BE CLOSED.

40.55	43.1	39.5	44.7	104060-8010	104060-8017	80
30.55	33.1	29.5	34.7	104060-6010	104060-6017	60
D	C	B	A	MATERIAL NO.	EMBOSSED PACKAGE	CIRCUIT

CONNECTOR SERIES No. 104060-***10

REVISED EC NO: KOR2016-0118 DRWN:YRK/IM 2016/05/27 CHKD:SK/IM 2016/05/30 APPR:YSK/IM02 2016/05/31	DESCRIPTION REV	QUALITY SYMBOLS	$\nabla=0$ $\square=0$	GENERAL TOLERANCES (UNLESS SPECIFIED)	DIMENSION STYLE	SCALE	DESIGN UNITS	THIRD ANGLE PROJECTION		
				mm INCH	MM ONLY	1:1	METRIC			
				4 PLACES ± --- ± ---	DRAWN BY	DATE	TITLE 0.5 FFC E/O DUAL CONTACT HOUSING ASS'Y			
				3 PLACES ± --- ± ---	YR.KIM	2009/06/26				
		2 PLACES ± --- ± ---	CHECKED BY	DATE	MOLEX INCORPORATED 					
		1 PLACE ± 0.3 ± ---	YS00.KIM	2009/06/26						
		ANGULAR ± 1 °	APPROVED BY	DATE	SEE TABLE		SD-104060-001			
			YS00.KIM	2009/06/26	MATERIAL NO.		DOCUMENT NO.			
			DRAFT WHERE APPLICABLE MUST REMAIN WITHIN DIMENSIONS		SIZE		SHEET NO.			
					A3		1 OF 3			

10 9 8 7 6 5 4 3 2 1

F

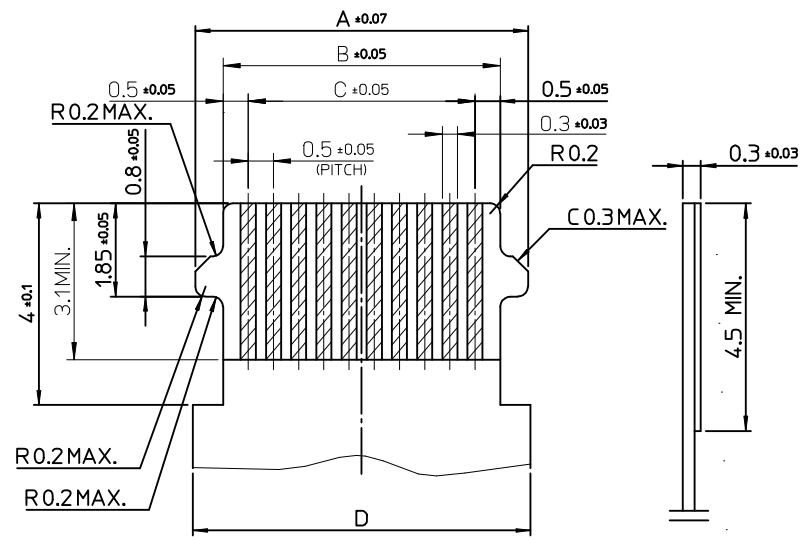
E

D

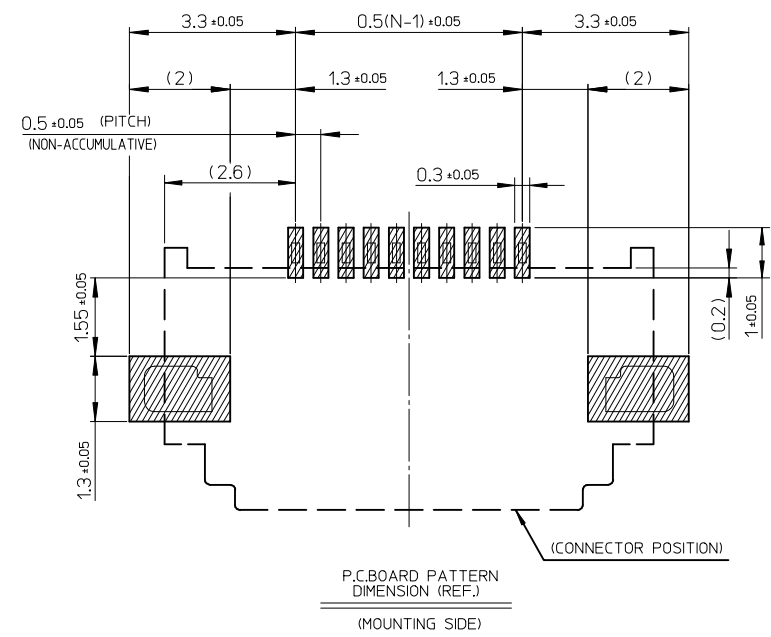
C

B

A



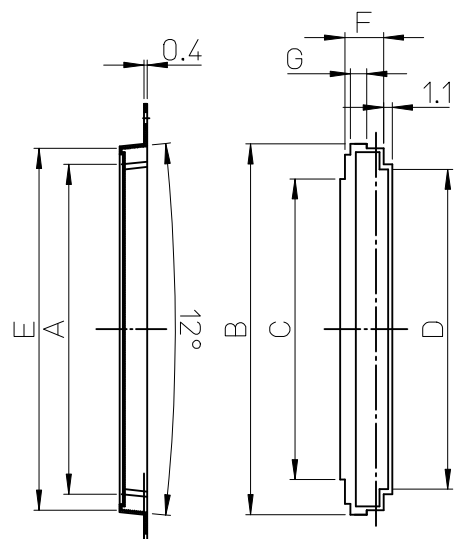
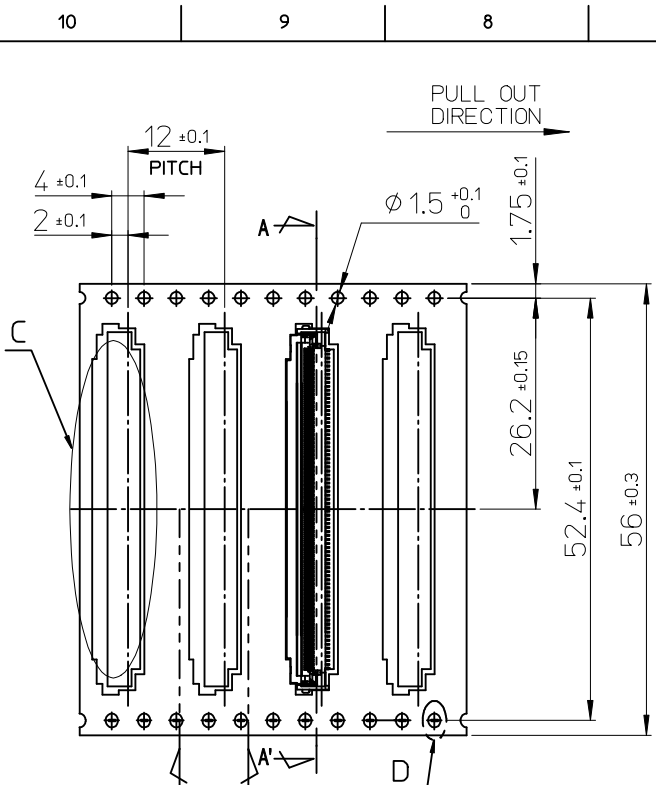
APPLICABLE FPC/FFC
RECOMMENDED DIMENSION



42.3	39.5	40.5	42.2	80
32.3	29.5	30.5	32.2	60
D	C	B	A	CIRCUIT

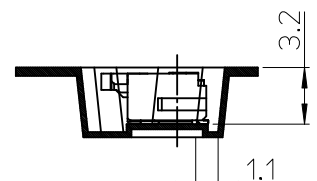
REVISED EC NO: KOR2016-0118 DRWN:YRKIM 2016/05/27 CHKD:KSKIM 2016/05/30 APPR:YSKIM02 2016/05/31	QUALITY SYMBOLS	GENERAL TOLERANCES (UNLESS SPECIFIED)	DIMENSION STYLE	SCALE	DESIGN UNITS	THIRD ANGLE PROJECTION	
	$\nabla = 0$ $\text{C} = 0$	mm INCH	MM ONLY	1:1	METRIC		
		4 PLACES \pm --- \pm ---	DRAWN BY DATE	TITLE			
		3 PLACES \pm --- \pm ---	YR.KIM 2009/06/26	0.5 FFC E/O DUAL CONTACT HOUSING ASS'Y			
	2 PLACES \pm --- \pm ---	CHECKED BY DATE	MOLEX INCORPORATED				
	1 PLACE ± 0.3 \pm ---	YS00.KIM 2009/06/26	DOCUMENT NO.				
	ANGULAR $\pm 1^\circ$	APPROVED BY DATE	SD-104060-001				
		YS00.KIM 2009/06/26	SHEET NO.				
		MATERIAL NO.	2 OF 3				
		SEE TABLE	THIS DRAWING CONTAINS INFORMATION THAT IS PROPRIETARY TO MOLEX INCORPORATED AND SHOULD NOT BE USED WITHOUT WRITTEN PERMISSION				
		DRAFT WHERE APPLICABLE MUST REMAIN WITHIN DIMENSIONS					

9 8 7 6 5 4 3 2 1

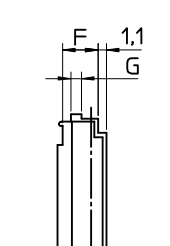


SECTION A-A'

DETAIL C



SECTION B-B'
(SCALE 2/1)

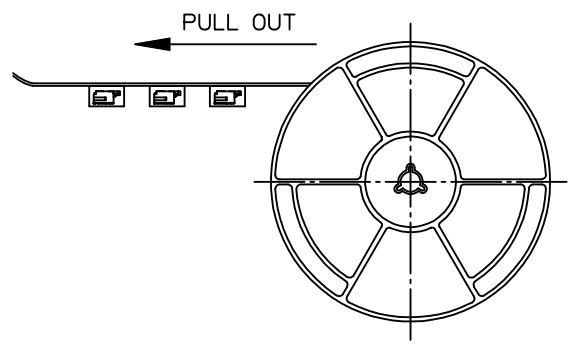


DETAIL D
(SCALE 2/1)

NOTES

1. NUMBER OF CONNECTORS : 2,400PCS/REEL
2. LEAD TAPE LENGTH
3. FOR DIMENSIONS OF PRODUCT, REFER TO SD-104060-001.
4. MATERIAL
 CARRIER TAPE : POLYETHYLENE TEREPHTHALATE
 TOP TAPE : POLYETHYLENE TEREPHTHALATE , POLYETHYLENE
 REEL : POLYSTYRENE<RECYCLE MATERIAL CONTAINED>
5. ELV AND RoHS COMPLIANT
6. PEELING OFF FORCE OF COVER TAPE : 0.1N~0.59N(10.2GF~60GF)
 (PEELING DIRECTION AS SHOW IN FOLLOW FIG.)
 PEELING OFF SPEED : 300mm/Min.(Ref.)

104060-6099



35902-0021	104060-8099	2.0	4.8	44.9	39.7	37.3	46	44.9	104060-8017	80
35902-0021	104060-6099	1.4	4.7	34.65	29.7	27.7	35.8	30.9	104060-6017	60
COVER TAPE	EMBOSS TAPE	G	F	E	D	C	B	A	MATERIAL NO.	CIRCUIT

REVISED EC NO: KOR2016-0118 DRWN:YRKIM 2016/05/27 CHKD:KSKIM 2016/05/30 APPR:YSKIM02 2016/05/31	QUALITY SYMBOLS ▽=0 ◻=0	GENERAL TOLERANCES (UNLESS SPECIFIED)		DIMENSION STYLE MM ONLY		SCALE 10:1	DESIGN UNITS METRIC	THIRD ANGLE PROJECTION			
		mm	INCH	DRAWN BY	DATE	TITLE					
		4 PLACES ± ---	± ---	YR.KIM	2009/06/26	0.5 FFC E/O DUAL CONTACT HOUSING ASS'Y					
		3 PLACES ± ---	± ---	CHECKED BY	DATE	MOLEX INCORPORATED					
2 PLACES ± ---	± ---	APPROVED BY	DATE	DOCUMENT NO.							
1 PLACE ± 0.3	± ---	YS00.KIM	2009/06/26	SD-104060-001							
ANGULAR ± 1 °		MATERIAL NO.		SHEET NO.							
DRAFT WHERE APPLICABLE MUST REMAIN WITHIN DIMENSIONS		SEE TABLE		3 OF 3							
SIZE A3		THIS DRAWING CONTAINS INFORMATION THAT IS PROPRIETARY TO MOLEX INCORPORATED AND SHOULD NOT BE USED WITHOUT WRITTEN PERMISSION									