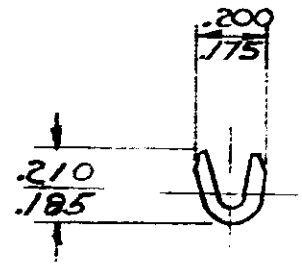
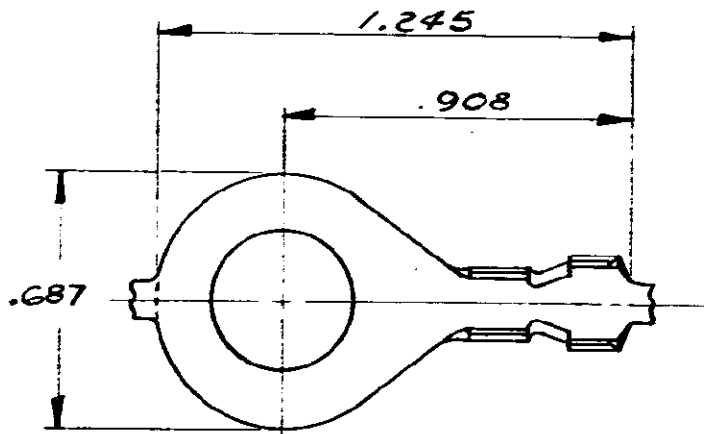
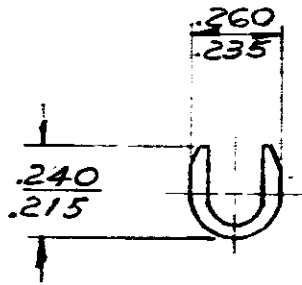
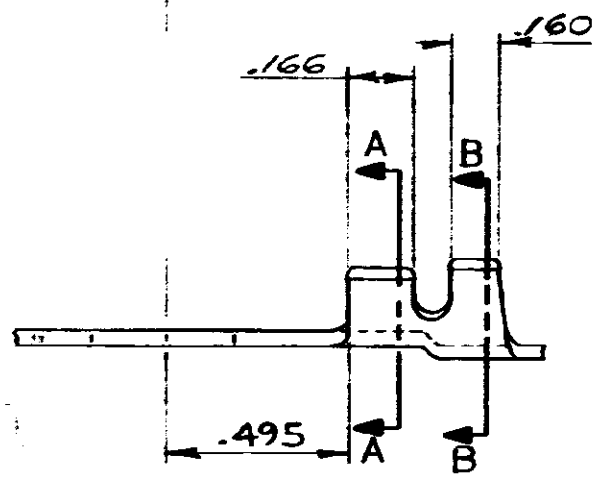


S  
NUMBER  
61336



SECT. - A-A



SECT. - B-B

CONTINUOUS STRIP, ON REELS

WIRE SIZE A.W.G.	INSULATION RANGE	STUD #	HOLE DIA. ±.005	MATERIAL AND FINISH	TERMINAL NUMBER
16-14	.120-180	3/8	.390	.040-BRASS-TIN	61336-1

Unpublished copy not to be reproduced nor published without written permission of AMP Incorporated

DIMENSIONS IN INCHES. DO NOT SCALE PRINT.

©1967 BY AMP INCORPORATED. ALL RIGHTS RESERVED. AMP PRODUCTS COVERED BY PATENTS AND/OR PATENTS PENDING.

**CUSTOMER COPY  
REFERENCE ONLY**

MATERIAL AND FINISH  
  
WIRE — RANGE — INSULATION

**AMP** AMP INCORPORATED  
HARRISBURG, PENNSA.

CLASS — 11 —  
TYPE — 11 —

TOLERANCE EXCEPT AS NOTED ±.015 ± 1° SCALE 2-1 LOC AF, A NO 61336 REV B

NAME RING

PRINTED 50	REVISION RECORD	DR	CHK	DATE
	DR C.M.P. E. FINK 11-6-67	DE	C. MEYERS	11-9-67
	CHK C. MEYERS 11-9-67	APP	APF	11-13-67