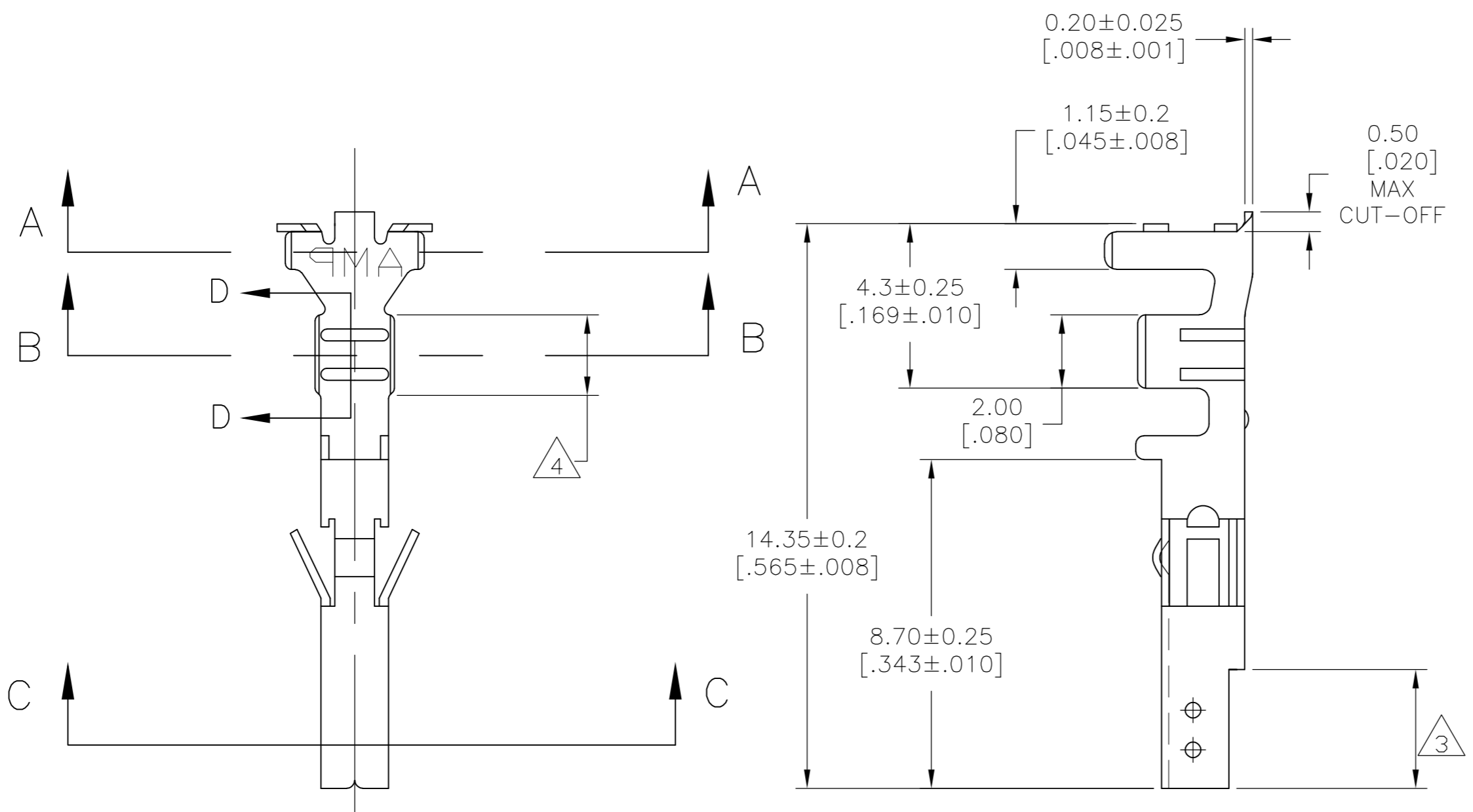
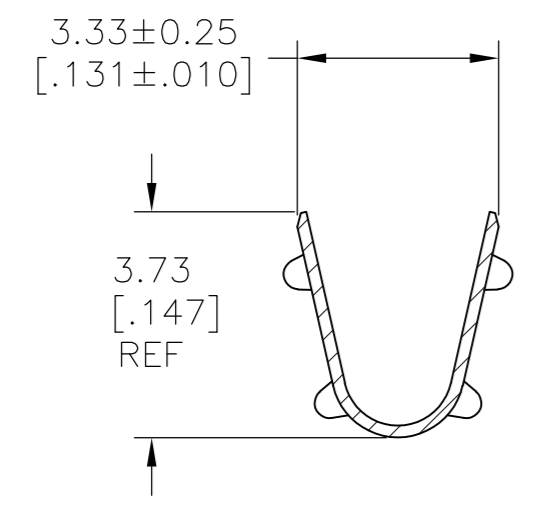


THIS DRAWING IS UNPUBLISHED. RELEASED FOR PUBLICATION
 © COPYRIGHT - By - ALL RIGHTS RESERVED.

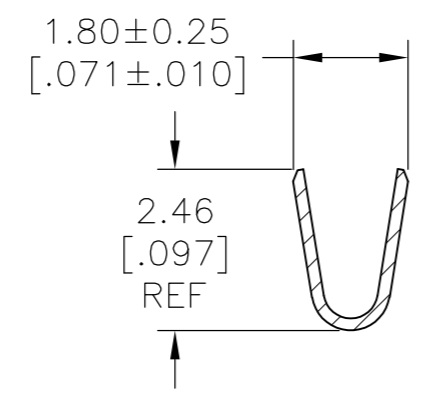
LOC		DIST		REVISIONS			
P	LTR	DESCRIPTION		DATE	DWN	APVD	
-	-	A		RELEASED PER ECO-14-006097	24APR14	JR	KR



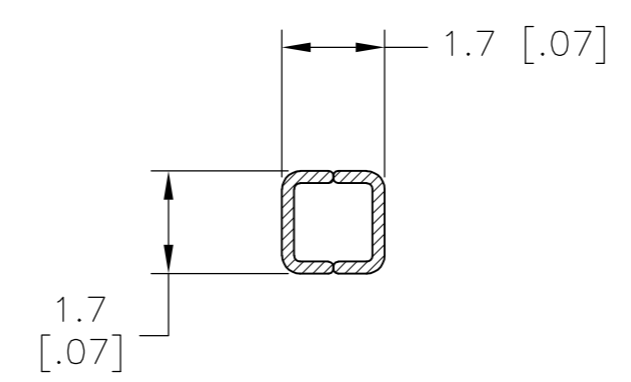
- 1 WIRE RANGE 0.3-0.82mm² [22-18 AWG]
- 2 INSULATION RANGE 1.50-3.10 [.060-.122]
- 3 FINISH: 0.76um MIN GOLD OVER 1.27um MIN NICKEL REQUIRED ON INNER SURFACE, PERMITTED ON OUTER SURFACE.
- 4 FINISH: 2.54um MIN PRE-TIN ON ALL SURFACES IN THIS AREA.
- 5 FINISH: 2.54um MIN PRE-TIN ALL OVER
- 6 PRELIMINARY - NOT FOR PRODUCTION



SECTION A-A



SECTION B-B



SECTION C-C

GOLD 3 4	PHOS BRONZE	6	2238021-4
PRE-TIN 5	PHOS BRONZE	6	2238021-3
GOLD 3 4	BRASS	6	2238021-2
PRE-TIN 5	BRASS		2238021-1
FINISH	MATERIAL		PART NO.

THIS DRAWING IS A CONTROLLED DOCUMENT.		DWN JR RUTH 25FEB14	TE Connectivity	
DIMENSIONS: mm [INCHES]		CHK K RANDOLPH 25FEB14		
TOLERANCES UNLESS OTHERWISE SPECIFIED:		APVD K RANDOLPH 25FEB14	NAME	
0 PLC ± -		PRODUCT SPEC	SOCKET TERMINAL, VAL-U-LOK, LOOSE PIECE	
1 PLC ± -		APPLICATION SPEC	SIZE	RESTRICTED TO
2 PLC ± 0.10 [.004]			CAGE CODE	DRAWING NO
3 PLC ± -			A2	00779
4 PLC ± -			SCALE	SHEET
ANGLES ± -			8:1	1 of 1
MATERIAL SEE TABLE	FINISH SEE TABLE	WEIGHT -	REV A	
CUSTOMER DRAWING		SCALE 8:1 SHEET 1 of 1 REV A		