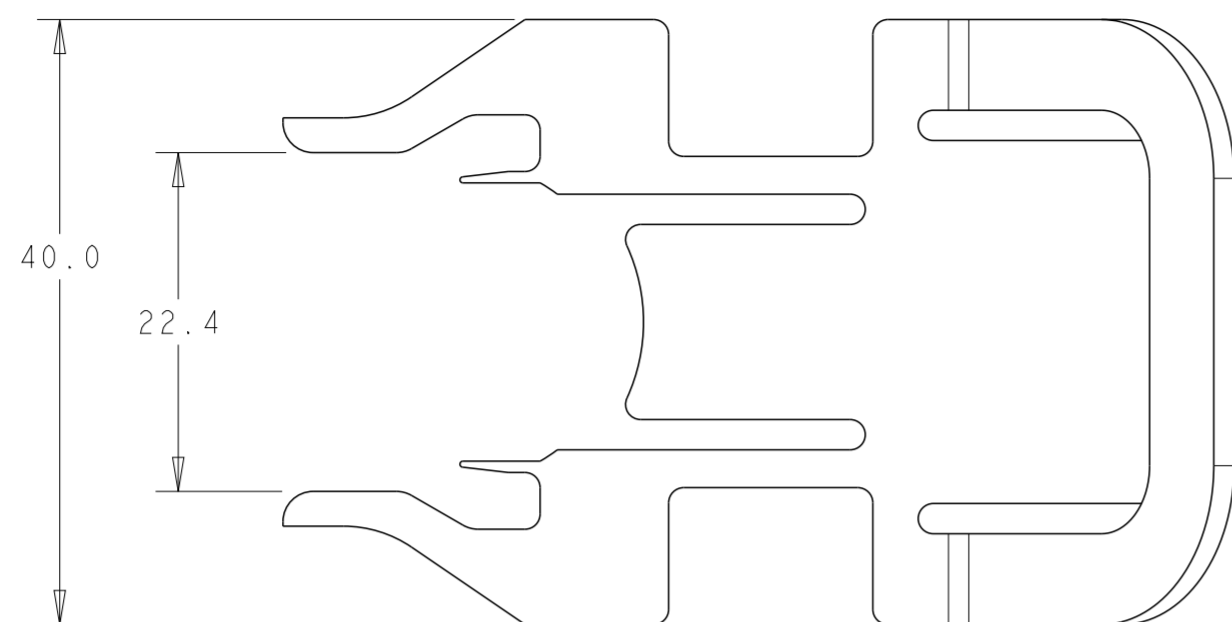
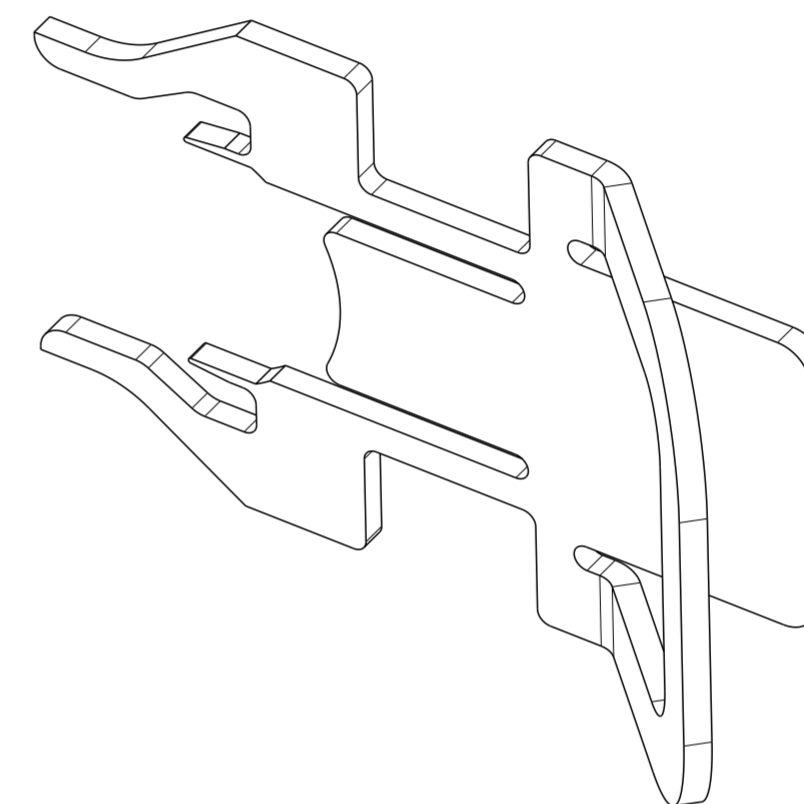


THIS DRAWING IS UNPUBLISHED. RELEASED FOR PUBLICATION 20
 © COPYRIGHT 20 BY - ALL RIGHTS RESERVED.

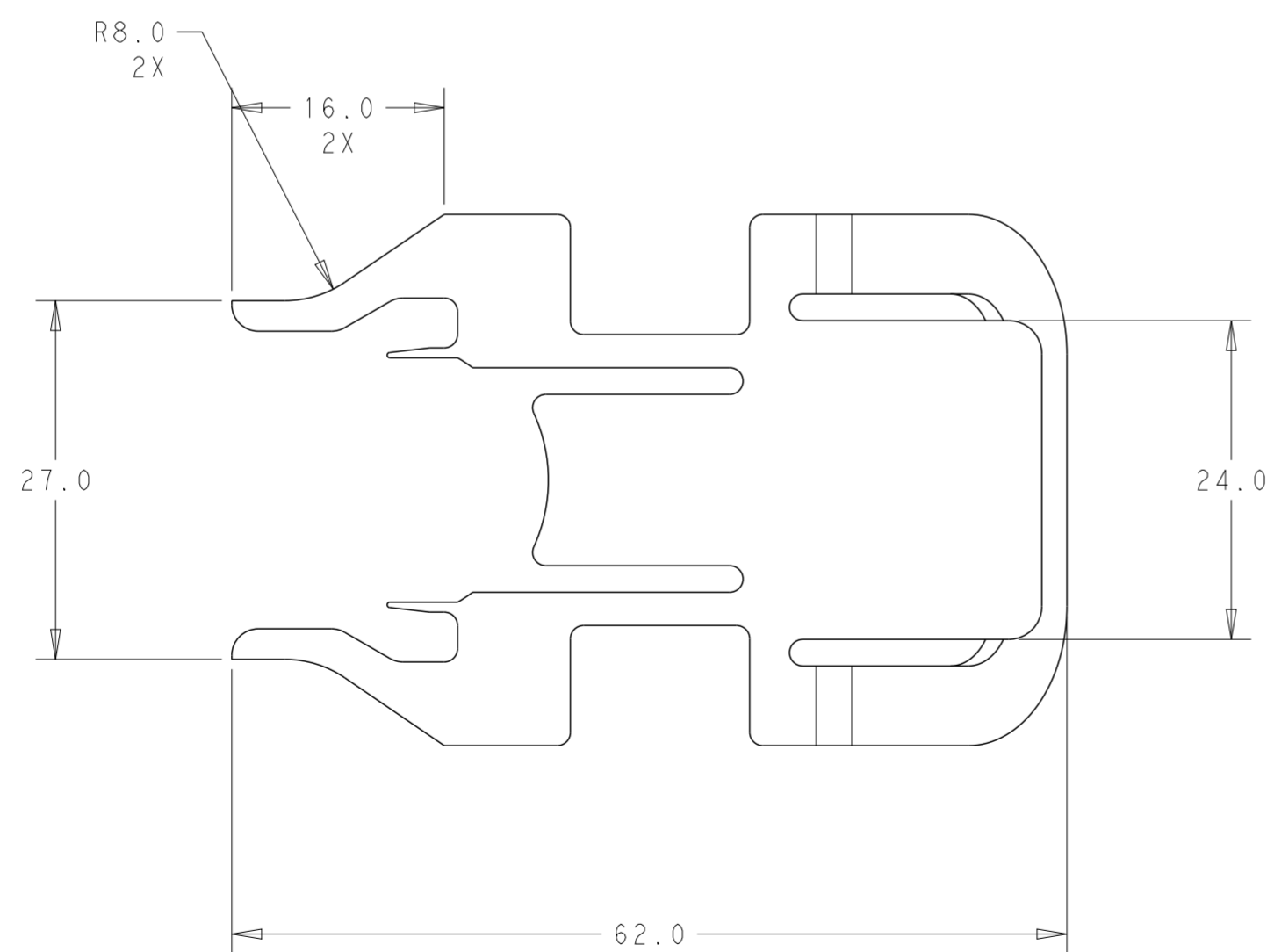
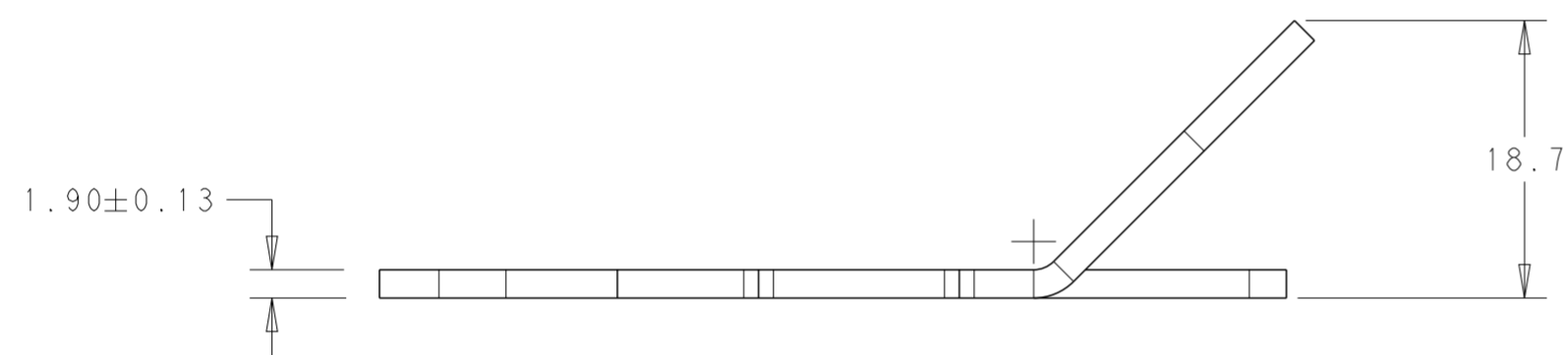
REVISIONS					
P	LTR	DESCRIPTION	DATE	DWN	APVD
A		REVISED AS PER ECR-15-009112	19JUN2015	RS	JL
B		REVISED AS PER ECR-15-014807	16NOV2015	RS	JL



NOTE:
 1 MATERIAL: STAINLESS STEEL



SCALE 2:1



2213523-1
 PART NO.

THIS DRAWING IS A CONTROLLED DOCUMENT.		DWN RAVI.S 24FEB2015	TE Connectivity		
DIMENSIONS: mm		CHK L.JUSTIN 24FEB2015			
TOLERANCES UNLESS OTHERWISE SPECIFIED:		APVD L.JUSTIN 24FEB2015	NAME NECTOR M 5/6/7 POSITION DE-LATCH TOOL		
0 PLC ± 1 PLC ±0.15 2 PLC ±0.10 3 PLC ± 4 PLC ± ANGLES ±3° FINISH -		PRODUCT SPEC 108-133014	RESTRICTED TO		
MATERIAL 1		APPLICATION SPEC 114-32111	SIZE A2	CAGE CODE -	DRAWING NO G-2213523
		WEIGHT -	Customer Drawing		
		SCALE 1:1		SHEET 1 OF 1	REV B