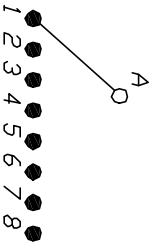
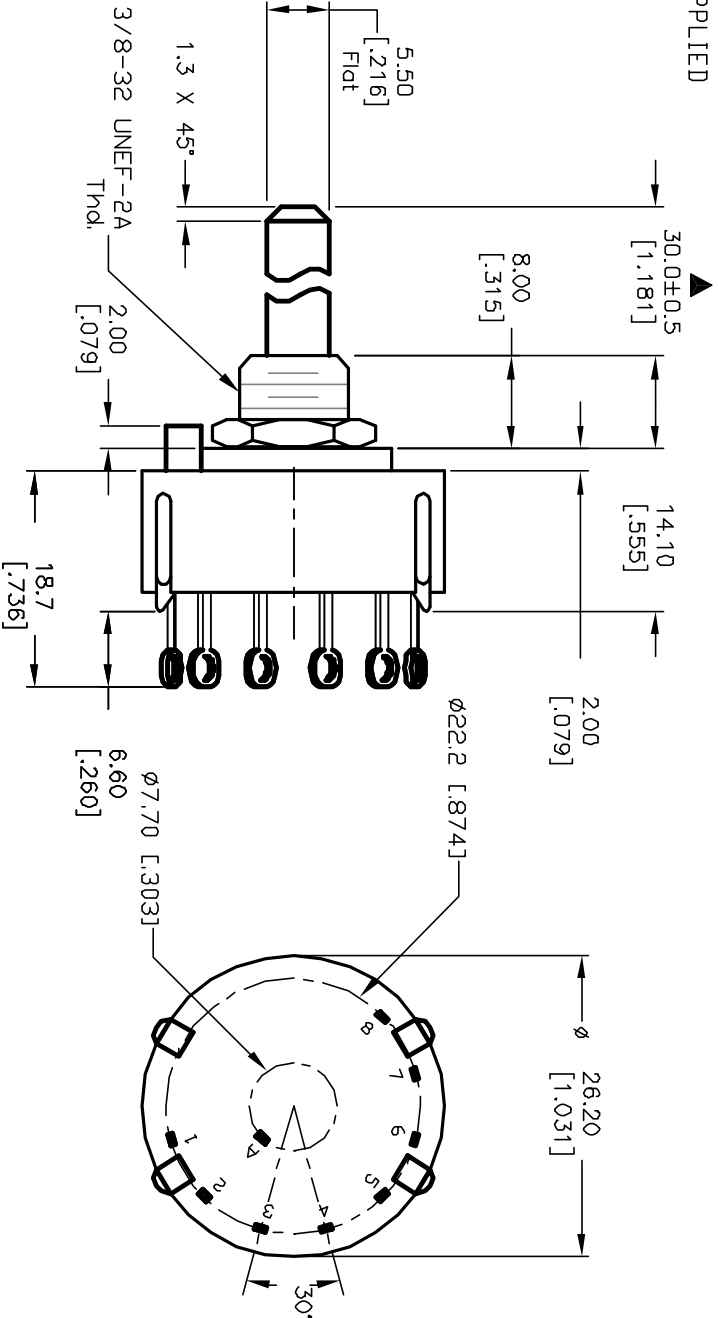
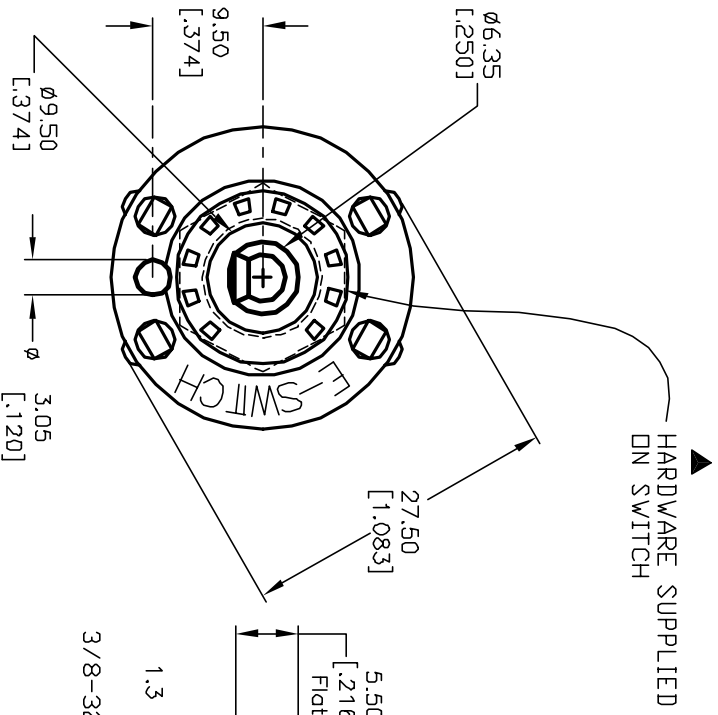
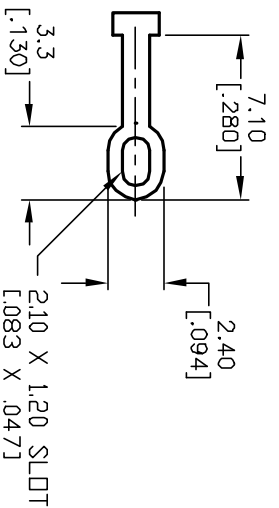


NOTES:

1. ALL DIMENSION IN MM [INCH]
2. GENERAL TOLERANCE: X.X=±0.4  
X.XX=±0.25
3. TERM. NOS. FOR REF. ONLY
4. CONTACT RATING SWITCHING: 150mA, 250V AC/DC  
350mA, 110V AC/DC
5. OPERATING FORCE: 425±100 CM/STANDARD
6. OPERATING TEMP: -30° to 85°C
7. CIRCUIT SP: 8 POSITIONS, 30° INDEX.
8. DIELECTRIC STRENGTH: 1000V RMS min.@Sea Level
9. DESIGNATE MAJOR DIMENSIONS
10. TIMING: BBM (Non-Shorting) Break Before Make.
11. HARDWARE SUPPLIED ON SWITCH- SEE BELOW  
STOP RING, LOCKWASHER, & HEXNUT



CONTACT CONFIGURATION  
(SEE NOTE 10)



# E-SWITCH®

B	12821	REV	DESC	PER NEW CATALOG	2/28/03	CJB	TITLE	KC-18-A-(30.0mm) 01-N-L-S		
A	11512	REV	DESC	FOR PRODUCTION	5/30/01	CJB	SCALE	DATE	DR	DWG
REV.	ECN No.	DESCRIPTION		DATE	CHKD		1.5:1	5/30/01	CJB	G530160
THE INFORMATION CONTAINED IN THIS DOCUMENT IS PROPRIETARY TO E-SWITCH AND IS NOT TO BE COPIED OR TRANSFERRED							REV	B		