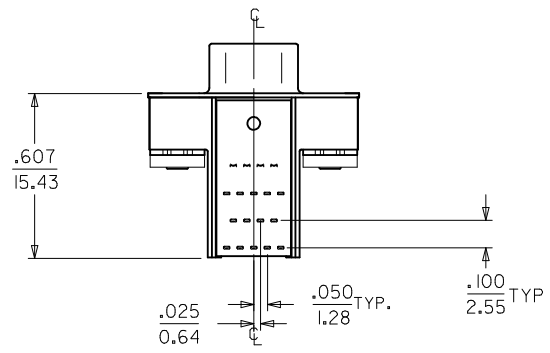
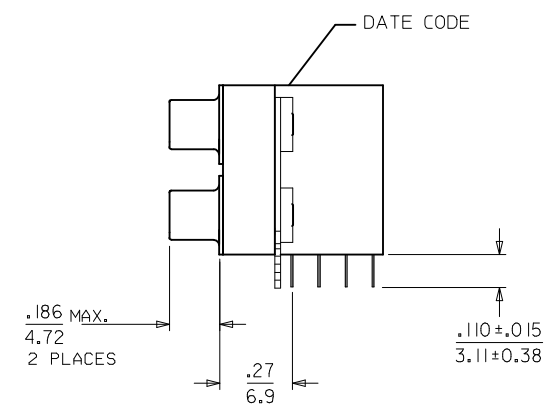
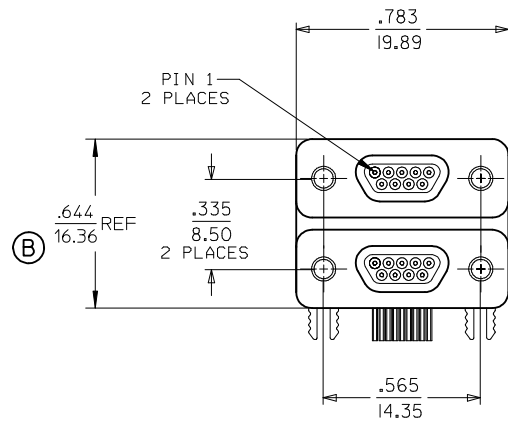


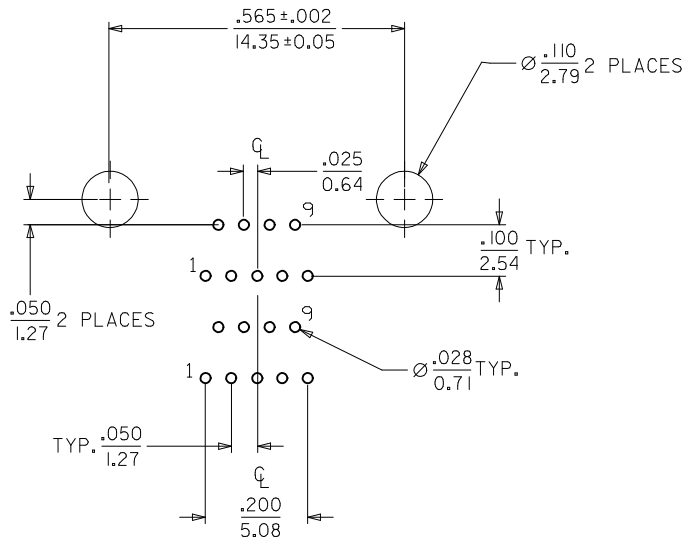
MATERIAL NO.	ENGINEERING NO.
836199200	83619-9200



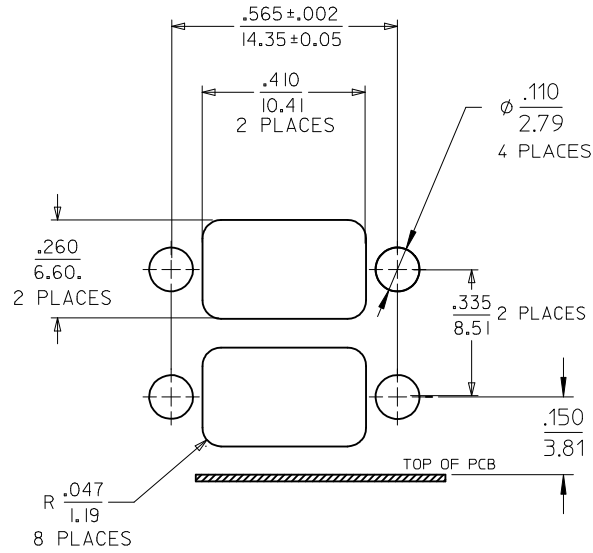
SALES DRAWING

- NOTES: UNLESS OTHERWISE SPECIFIED:
1. MARKING: DATE CODE
 2. REFER TO PS-83421-9000 FOR PRODUCT SPECIFICATION
 3. SEE SHEET 2 OF 2 FOR PCB AND PANEL CUT-OUT DIMENSIONS

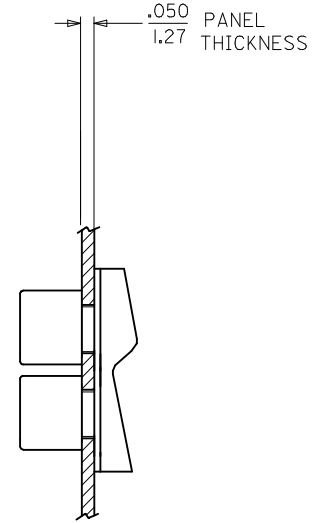
REVISE DIM EC NO: WNA2010-0136 DRW: WJURPERT 2009/08/26 CHKD: BRUPERT 2009/08/26 APPR: JFMURPHY 2009/09/22	QUALITY SYMBOLS	GENERAL TOLERANCES (UNLESS SPECIFIED)	DIMENSION STYLE	SCALE	DESIGN UNITS	THIRD ANGLE PROJECTION
	▽=0 ▽=0	mm INCH 4 PLACES ± --- ± --- 3 PLACES ± --- ± .005 2 PLACES ± 0.13 ± .01 1 PLACE ± 0.25 ± --- ANGULAR ± 1/2°	IN/MM	NONE	INCH	DRAWN BY: JLOMASTR DATE: 04/09/20 CHECKED BY: RDEROSS DATE: 04/09/27 APPROVED BY: JFMURPHY DATE: 2009/08/26
	DRAFT WHERE APPLICABLE MUST REMAIN WITHIN DIMENSIONS	SEE CHART	TITLE: COMMERCIAL MICRO-D DUAL STACK JACKPOST NOT INSTALLED SIZE 9/18 MOLEX INCORPORATED		DOCUMENT NO. SD-83619-009	SHEET NO. 1 OF 2
	THIS DRAWING CONTAINS INFORMATION THAT IS PROPRIETARY TO MOLEX INCORPORATED AND SHOULD NOT BE USED WITHOUT WRITTEN PERMISSION					



**RECOMMENDED
P.C.B. LAY-OUT
SOLDER SIDE**



**RECOMMENDED
PANEL CUT-OUT**



UPDATE DOC EC NO: WNA2010-0136 DRAWN: BRUPERT 2009/08/26 CHKD: BRUPERT 2009/08/26 APPR: JFURPHY 2009/09/22	DESCRIPTION B	QUALITY SYMBOLS	GENERAL TOLERANCES (UNLESS SPECIFIED)	DIMENSION STYLE	SCALE	DESIGN UNITS	THIRD ANGLE PROJECTION
		▽=0 ▽=0	mm INCH 4 PLACES ± --- ± --- 3 PLACES ± --- ± .005 2 PLACES ± 0.13 ± .01 1 PLACE ± 0.25 ± --- ANGULAR ± 1/2°	IN/MM DRAWN BY DATE JLOMASTR 04/09/20 CHECKED BY DATE RDEROSS 04/09/27 APPROVED BY DATE JFMURPHY 2009/08/26	1:1	INCH	COMMERCIAL MICRO-D DUAL STACK JACKPOST NOT INSTALLED SIZE 9/18
		DRAFT WHERE APPLICABLE MUST REMAIN WITHIN DIMENSIONS	MATERIAL NO. 836199200	DOCUMENT NO. SD-83619-009	SHEET NO. 2 OF 2		
		THIS DRAWING CONTAINS INFORMATION THAT IS PROPRIETARY TO MOLEX INCORPORATED AND SHOULD NOT BE USED WITHOUT WRITTEN PERMISSION					