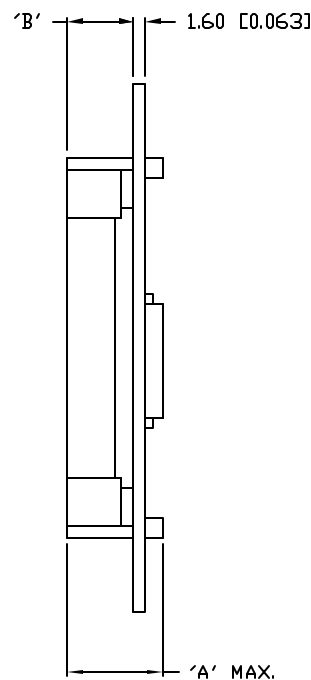
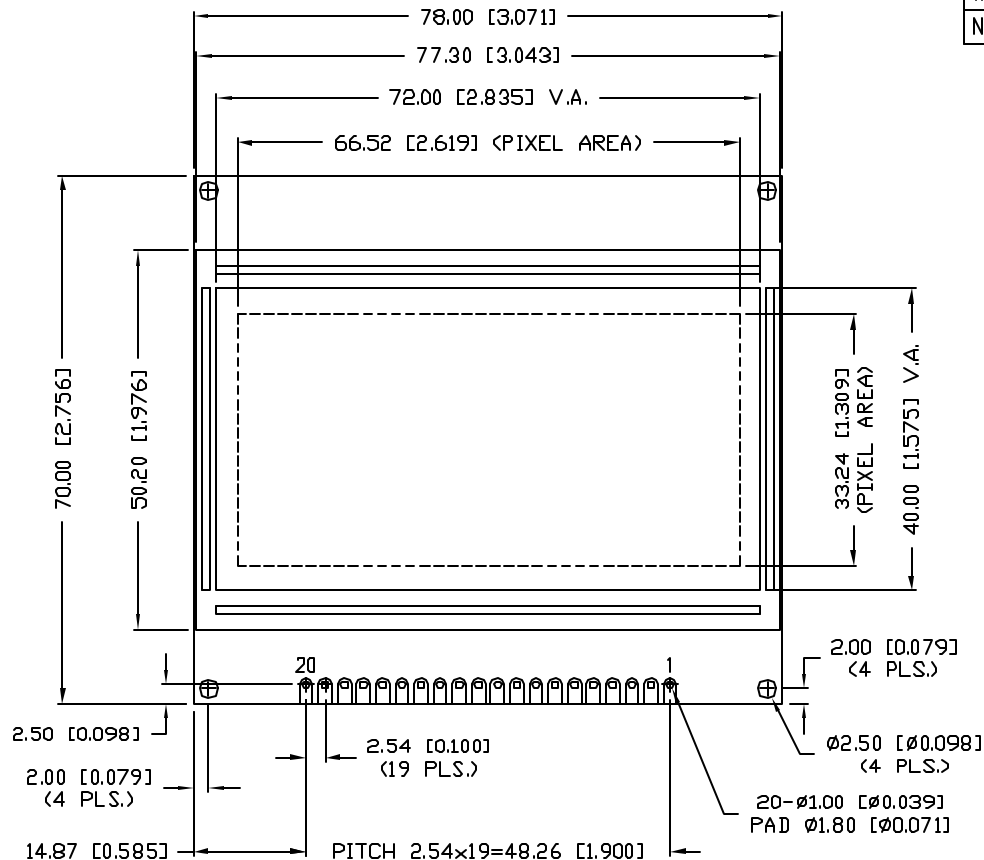


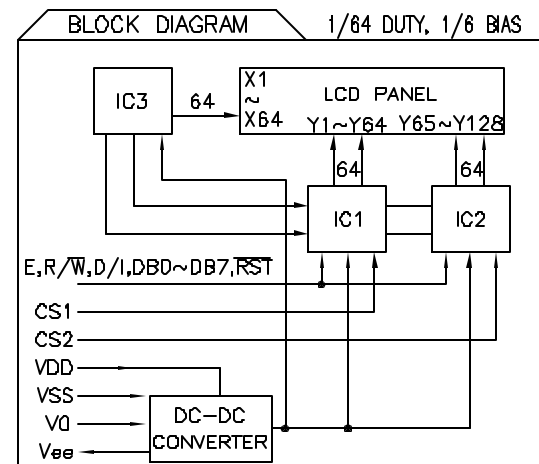
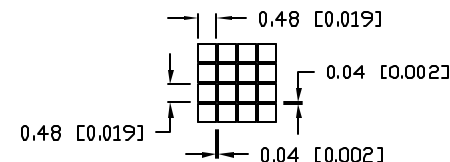
P/N PREFIX/SUFFIX TABLE			
LGM-X	DXX	DESCRIPTION	
STANDARD	S	SR	STN, REFLECTIVE
HIGH TEMP.	H	SF	STN, TRANSFLECTIVE(W/ BACKLIGHT)

REV.	E.C.N. NUMBER AND REVISION COMMENTS	DATE

TYPE	DIM.	A	B
WITH BACKLIGHT		12.7	8.7
NO BACKLIGHT		8.8	4.8



PIXEL DETAIL



CAUTION: STATIC SENSITIVE DEVICE
FOLLOW PROPER E.S.D. HANDLING PROCEDURES
WHEN WORKING WITH THIS PART.

*UNLESS OTHERWISE SPECIFIED TOLERANCE IS ±0.25mm (±0.010")

REV.	PART NUMBER
	LCM-X12864GXX/C

CONFIDENTIAL INFORMATION
THE INFORMATION CONTAINED IN THIS DOCUMENT IS THE PROPERTY OF LUMEX INC. EXCEPT AS SPECIFICALLY AUTHORIZED IN WRITING BY LUMEX INC., THE HOLDER OF THIS DOCUMENT SHALL KEEP ALL INFORMATION CONTAINED HEREIN CONFIDENTIAL AND SHALL PROTECT SAME IN WHOLE OR IN PART FROM DISCLOSURE AND DISSEMINATION TO ALL THIRD PARTIES.



290 E. HELLEN ROAD
PALATINE, ILLINOIS 60067
PHONE: 1-847-359-2790
WEB: HTTP://WWW.LUMEX.COM

128 x 64 DOT MATRIX GRAPHIC MODULE, 1/64 DUTY,
1/6 BIAS, WITH NEGATIVE CHARGE PUMP.

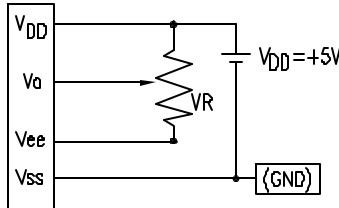
RELIABILITY NOTE
OUR MANY YEARS OF EXPERIENCE DATA ACCUMULATION INDICATE THAT SOLDER HEAT IS A MAJOR CAUSE OF EARLY AND FUTURE FAILURE. PLEASE PAY ATTENTION TO YOUR SOLDERING PROCESS.

DRAWN BY:	CHECKED BY:	APPROVED BY:	DATE:
SA/BC			9-1-98
			PAGE: 1 OF 2
			SCALE: N/A

PIN CONFIGURATION

PIN NO.	SYMBOL	LEVEL	FUNCTION	
1	V _{SS}	-	POWER SUPPLY	GND (0V)
2	V _{DD}	-		5V
3	V ₀	-		FOR LCD DRIVE
4	D/I	H/L	REGISTER SELECT SIGNAL H: DATA INPUT L: INSTRUCTION INPUT	
5	R/W	H/L	H: DATA READ (MODULE-->MPU) L: DATA WRITE (MODULE<--MPU)	
6	E	H,H->L	ENABLE	
7~14	DB0~DB7	H/L	DATA BUS	
15	CS1	H/L	CHIP SELECTION SIGNAL FOR IC1	
16	CS2	H/L	CHIP SELECTION SIGNAL FOR IC2	
17	RST	-	RESET SIGNAL (ACTIVE "LOW")	
18	V _{EE}	-	OUTPUT VOLTAGE FOR LCD DRIVING	
19	A	-	ANODE	LED BACKLIGHT
20	K	-	CATHODE	LED BACKLIGHT

V_{DD}-V₀: LCD DRIVING VOLTAGE
VR: 10KΩ-20KΩ



READ/WRITE TIMING FOR MPU INTERFACE

PARAMETER	SYMBOL	MIN	MAX	UNIT
ADDRESS HOLD TIME	t _{AH}	10	-	ns
ADDRESS SETUP TIME	t _{AS}	140	-	ns
E CYCLE TIME	t _{CYC}	1000	-	ns
E HIGH LEVEL WIDTH	t _{WEH}	450	-	ns
E LOW LEVEL WIDTH	t _{WEL}	450	-	ns
DATA SETUP TIME	t _{DSW}	200	-	ns
DATA HOLD TIME (READ)	t _{DHR}	20	-	ns
DATA DELAY TIME	t _{DDR}	-	320	ns
DATA HOLD TIME (WRITE)	t _{DHW}	10	-	ns
E RISE TIME	t _R	-	25	ns
E FALL TIME	t _F	-	25	ns

ELECTRICAL CHARACTERISTICS

V_{DD}=4.75V to 5.25V, T_A=25°C

ITEM	SYMBOL	CONDITION	STANDARD VALUE			UNIT	
			MIN.	TYP.	MAX.		
SUPPLY VOLTAGE FOR LOGIC	V _{DD} -V _{SS}	-	4.75	5.0	5.25	V	
SUPPLY CURRENT FOR LOGIC	I _{DD}	V _{DD} =5V	-	8.0	-	mA	
INPUT VOLTAGE	HIGH	V _{IH}	-	0.7*V _{DD}	-	V _{DD}	
	LOW	V _{IL}	-	0	-	0.3*V _{DD}	
*LED BACKLIGHT	VOLTAGE	V _f	I _f =300mA	-	4.2	4.5	V
	CURRENT	I _f	-	-	300	-	mA
	POWER CONSUMPTION	PD	-	-	1260	-	mW
	LUMINOUS	L	I _f =300mA	60	90	-	cd/m ²
	COLOR	-	-	-	-	-	nm

*ONLY APPLIES TO MODULES WITH BACKLIGHT

ABSOLUTE MAXIMUM RATINGS

ITEM	SYMBOL	TEST CONDITION	STANDARD VALUE		UNIT
			MIN	MAX	
SUPPLY VOLTAGE FOR LOGIC	V _{DD} -V _{SS}	T _a =25°C	-	7.0	V
SUPPLY VOLTAGE FOR LCD DRIVE	V _{DD} -V ₀	-	10.8@40°C	12.4@0°C	V
INPUT VOLTAGE	V _I	T _a =25°C	V _{SS}	V _{DD}	V
OPERATING TEMPERATURE	T _{opr}	LCM-S	0	50	°C
		LCM-H	-20	70	°C
STORAGE TEMPERATURE	T _{stg}	LCM-S	-20	70	°C
		LCM-H	-30	85	°C

*UNLESS OTHERWISE SPECIFIED TOLERANCE IS ±0.25mm (±0.010")

REV. 1	PART NUMBER	LCM-X12864GXX/C
--------	-------------	------------------------

CONFIDENTIAL INFORMATION
THE INFORMATION CONTAINED IN THIS DOCUMENT IS THE PROPERTY OF LUMEX INC. EXCEPT AS SPECIFICALLY AUTHORIZED IN WRITING BY LUMEX INC., THE HOLDER OF THIS DOCUMENT SHALL KEEP ALL INFORMATION CONTAINED HEREIN CONFIDENTIAL AND SHALL PROTECT SAME IN WHOLE OR IN PART FROM DISCLOSURE AND DISSEMINATION TO ALL THIRD PARTIES.



290 E. HELLEN ROAD
PALATINE, ILLINOIS 60067
PHONE: 1-847-359-2790
WEB: HTTP://WWW.LUMEX.COM

128 x 64 DOT MATRIX GRAPHIC MODULE, 1/64 DUTY,
1/6 BIAS, WITH NEGATIVE CHARGE PUMP.

RELIABILITY NOTE
OUR MANY YEARS OF EXPERIENCE DATA ACCUMULATION INDICATE THAT SOLDER HEAT IS A MAJOR CAUSE OF EARLY AND FUTURE FAILURE. PLEASE PAY ATTENTION TO YOUR SOLDERING PROCESS.

DRAWN BY: SA/BC	CHECKED BY:	APPROVED BY:	DATE: 9-1-98
			PAGE: 2 OF 2
			SCALE: N/A