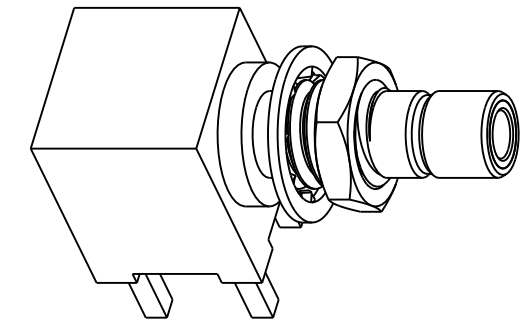


- NOTES:
- MATERIALS AND FINISHES:
 BODY - BRASS, GOLD PLATING
 CUBE BODY - BRASS, TIN PLATING
 CONTACT - BRASS, GOLD PLATING
 INSULATOR - PTFE
 - MECHANICAL:
 A. DURABILITY: 500 CYCLES MIN.
 B. TEMPERATURE RANGE: -65° C TO +165° C
 - PACKAGING:
 A. QUANTITY: SINGLE PACK
 B. MARKING: BAG TO BE MARKED
 "AMPHENOLRF 903-413J-51A, AND DATE CODE"

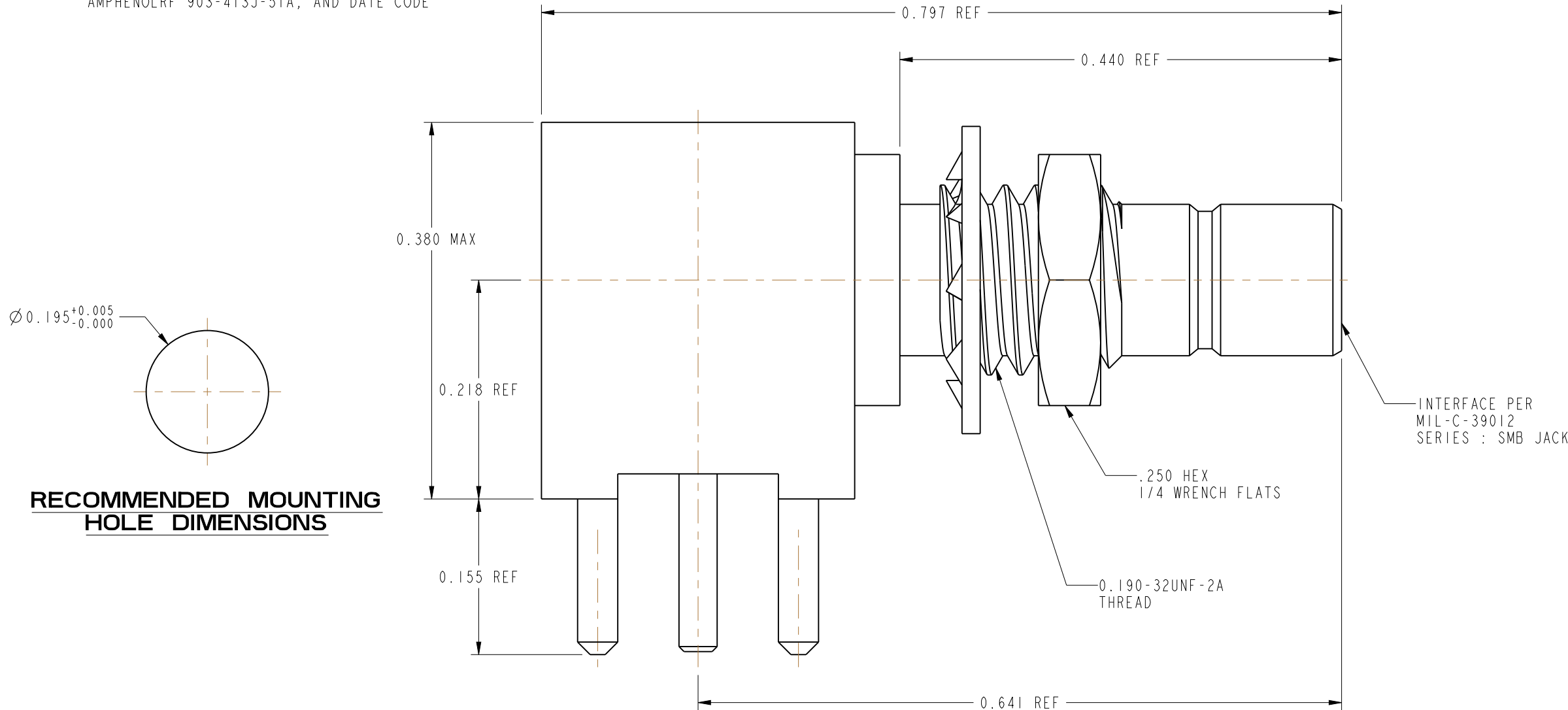
THIRD ANGLE PROJ.

REVISIONS

REV	DESCRIPTION	DATE	ECO	APPR
--	RELEASED TO MFG.	-----	-----	-----
F	REDRAW IN PRO E, ADDED COD	1/14/13	48616	RAK



SCALE 3.000



CUSTOMER OUTLINE DRAWING
 ALL OTHER SHEETS ARE FOR INTERNAL USE ONLY

UNLESS OTHERWISE SPECIFIED, DIMENSIONS ARE IN INCHES AND TOLERANCES ARE: 2 PLACE DECIMAL 3 PLACE DECIMAL ANGLES ±.015 (0,381 mm) ±.005 (0,127 mm) ± 1°	MATERIAL	DRAWN ABHAYA KISHORE DATE 13-Jun-11	TITLE SMB RT ANGLE BULKHEAD JACK PC MOUNT		Amphenol RF www.amphenolrf.com
	NOTICE - These drawings, specifications, or other data (1) are, and remain the property of Amphenol corp. (2) must be returned upon request; and (3) are confidential and not to be disclosed to any person other than those to whom they are given by Amphenol Corp., the furnishing of these drawings, specifications, or other data by Amphenol Corp., or to any other person to anyone for any purpose is not to be regarded by implication or otherwise in any manner licensing, granting rights to permitting such holder or any other person to manufacture, use or sell any product, process or design, patented or otherwise, that may in any way be related to or disclosed by said drawings, specifications, or other data.	ENGINEER ABHAYA KISHORE DATE 13-Jun-11	APPROVED K. CAPOZZI DATE 1/14/13	SCALE: 8.0:1.0 SHEET 2 OF 2	
	REFERENCE EAR # 111-961560 1 615X-1049-200 CONFIGURATION LEVEL:	CAD FILE H:\PETE\SMB\903\ASSY\413J51A0	DWG SIZE B	REV F	