

IEC Appliance Outlet D, Screw-on Mounting, Front Side, Solder Terminal



**Description**

- Panel Mount :  
Screw-on mounting , Front Side
- Connector , Pin temperature 70 °C Protection class II
- Solder terminal

**Approvals**

- VDE Certificate Number: 40034348
- UL File Number: E96454

**Weblinks**

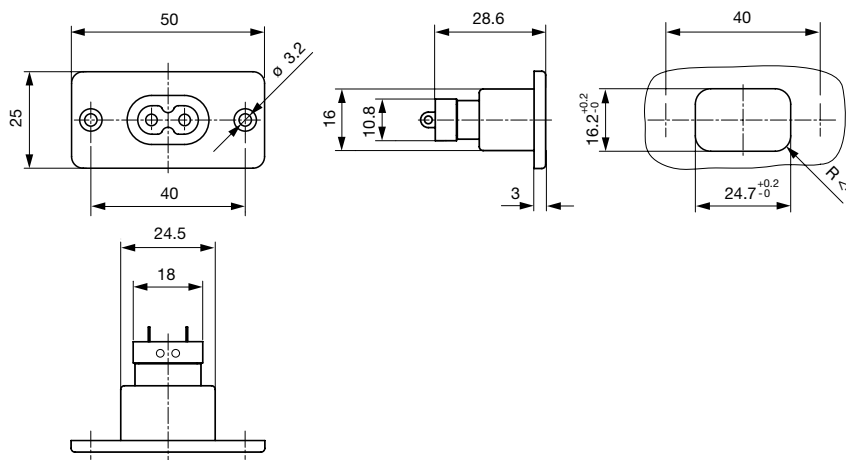
[pdf datasheet](#), [html-datasheet](#), [General Product Information](#), [RoHS](#), [CHINA-RoHS](#), [REACH](#), [Distributor-Stock-Check](#), [Accessories](#), [Detailed request for product](#)

**Technical Data**

Ratings IEC	2.5 A / 250 VAC; 50 Hz	appliance inlet/-outlet	D acc. to IEC 60320-1 UL 498, CSA C22.2 no. 42 (for cold conditions) pin-temperature 70 °C, 2.5 A, Protection Class II
Ratings UL/CSA	4 A / 250 VAC; 60 Hz		
Dielectric Strength	> 4 kVAC between L-N > 2 kVAC between L/N-PE (1 min/50 Hz)		
Allowable Operation Temperature	-25 °C to 70 °C		
IP-Protection	from front side IP 20 acc. to IEC 60529		
Insulation cover	Suitable for appliances with protection class II acc. to IEC 61140		
Material: Housing	PA6, black or grey, UL 94V-0		

Detailed information on product approvals, code requirements, usage instructions and detailed test conditions can be looked up in [General Product Information](#)

**Dimensions**



Length of the terminal please find at the order code configuration table

**Config. Code**


5088 - H - A B C 0 - D - E O

The characters are placeholders for the correspondingly keys of selections from the key tables.

5088 - H - A B C 0 - D - E O = Type

Type	Configuration key
protection class II	B

5088 - H - A B C 0 - D - E O = Terminals

Terminal L	Configuration key
solder terminal 	1

5088 - H - A B C 0 - D - E O = Terminals

Terminal N	Configuration key
solder terminal	1

Symbols similar as in table A

5088 - H - A B C 0 - D - E O = Terminals

Terminal Ground	Configuration key
without terminal	0

Symbols similar as in table A

5088 - H - A B C 0 - D - E O = Color

Color	Configuration key
Black	A
Grey	B

5088 - H - A B C 0 - D - E O = Style

Style	Configuration key
flange with countersunk holes	1
flange with through holes	2

5088 - H - A B C 0 - D - E O = Features

Features	Configuration key

**All Variants**

Terminals L / N	Color	Style	Config. Code	Order Number
solder terminal	Black	flange with countersunk holes	5088-X-1100-A-1	6180.0007 <span style="color: green;">■</span>

The listed variants should be available from stock. Other versions on request [www.schurter.com/contact](http://www.schurter.com/contact)

■ Most Popular.

Availability for all products can be searched real-time: <http://www.schurter.com/en/Stock-Check/Stock-Check-SCHURTER>

**Packaging unit** 50 Pcs

**Accessories**

Description



Front Cover  
Front Cover