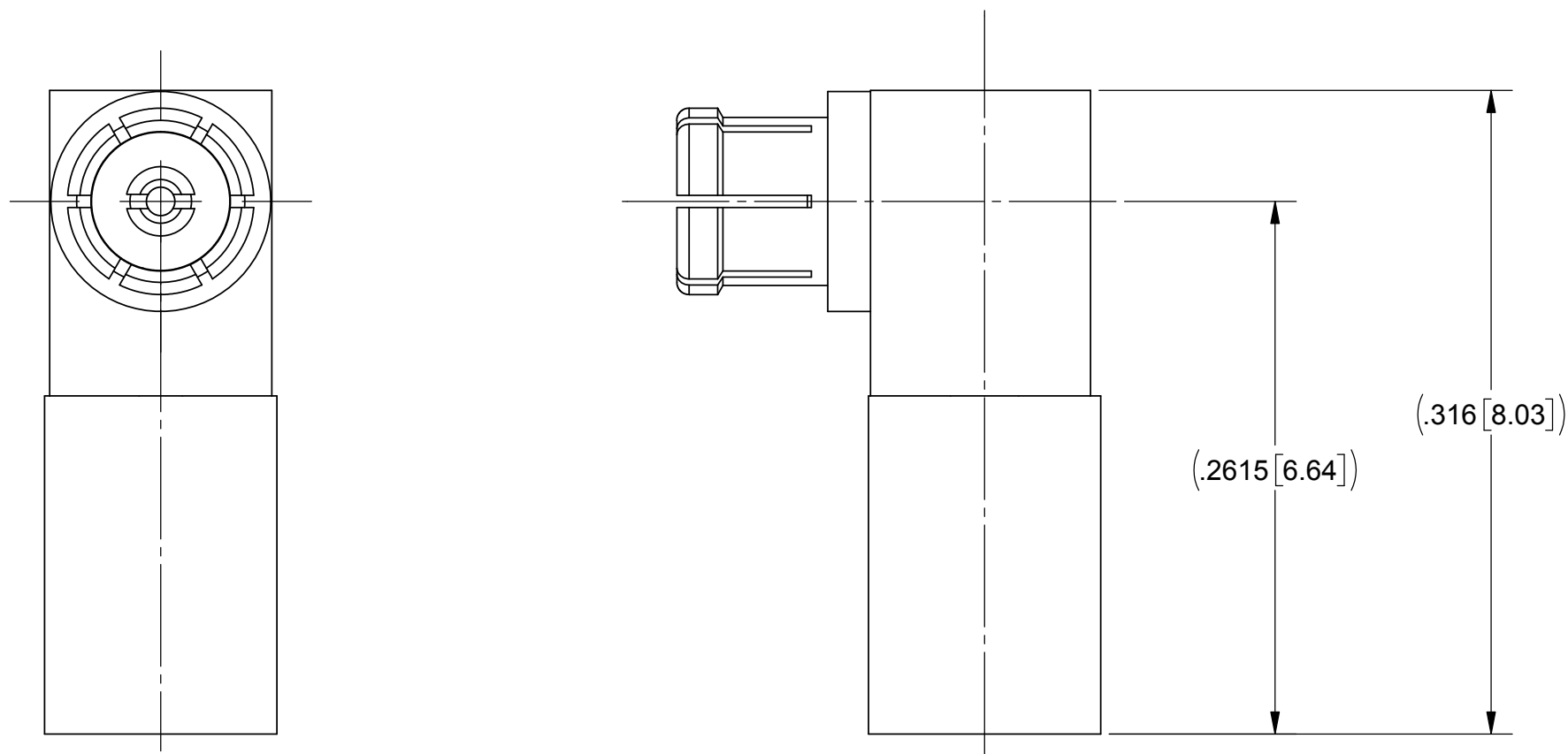


# PRODUCT DATA DRAWING

| REVISION HISTORY |             |       |          |
|------------------|-------------|-------|----------|
| REV              | DESCRIPTION | DATE  | APPROVED |
| -                | DCN 40734   | 08/14 | FSG      |
|                  |             |       |          |
|                  |             |       |          |



**MATERIAL:**

BODY,  
FERRULE &  
SWEPT CONTACT: BERYLLIUM COPPER PER ASTM B196,  
ALLOY No. UNS C17300, TD04

SOLDER ON  
CONTACT: BRASS PER ASTM B16, ALLOY UNS No. C36000

INSULATORS: PTFE PER ASTM D1710, TYPE I, GRADE 1, CLASS B

**FINISH:**

BODY,  
FERRULE &  
CONTACTS: GOLD PER ASTM B488, TYPE II,  
CODE C, CLASS 1.27, OVER NICKEL  
PER AMS-QQ-N-290, CLASS 1, .00005" MIN.

**PERFORMANCE:**

IMPEDANCE: 50 OHMS  
FREQ. RANGE: DC TO 40.0 GHz.  
VSWR: 1.25:1 DC TO 40.0 GHz.

|   |   |   |  |
|---|---|---|--|
| MATERIAL: SEE NOTES   | DIMENSIONS ARE IN INCHES TOLERANCES:<br>FRACTIONAL: $\pm 1/64$ ANGULAR: X° $\pm 1'0''$<br>X°X' $\pm 15''$ | UNLESS OTHERWISE SPECIFIED<br>1) ALL DIMENSIONS ARE IN INCHES (MILLIMETERS)<br>2) ALL DIMENSIONS ARE AFTER PLATING.<br>3) BREAK CORNERS & EDGES .005 R. MAX.<br>4) CHAM. 1ST & LAST THREADS.<br>5) SURFACE ROUGHNESS 63-MIL-STD-10.<br>6) DIA.'S ON COMMON CENTERS TO BE CONCENTRIC WITHIN .005 T.I.R.<br>7) REMOVE ALL BURRS | <br>Amphenol<br>2400 Centrepark West Drive, Suite 100<br>West Palm Beach, FL 33409 |
| FINISH: SEE NOTES   | DECIMAL: X $\pm .030$<br>.XX $\pm .010$<br>.XXX $\pm .005$  |   |  |
| SURFACE AREA: N/A   | INTERPRET DIMENSIONS AND TOLERANCES PER ASME Y14.5M - 1994  | DRAWN: DAL 05/25/10   | TITLE: SMPM FEMALE SWEPT R/A FOR .086 CABLE  |
| PROPRIETARY<br>THE INFORMATION CONTAINED IN THIS DRAWING IS THE SOLE PROPERTY OF SV MICROWAVE, INC. ANY REPRODUCTION IN PART OR AS A WHOLE WITHOUT THE WRITTEN PERMISSION OF SV MICROWAVE, INC IS PROHIBITED. | THIRD ANGLE PROJECTION  | CHECKED:  | SIZE B CAGE CODE 95077 DWG. NO. 3222-40005   |
|   |   | APPROVED:   | SCALE: 12:1 SHEET 1 OF 1   |