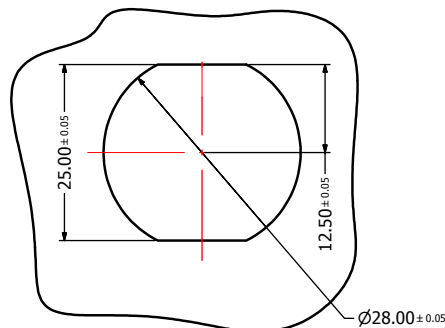
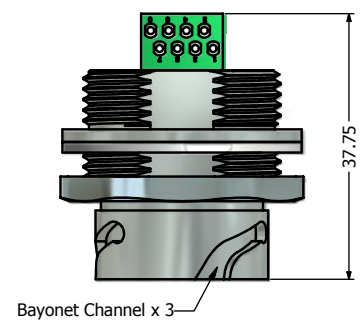


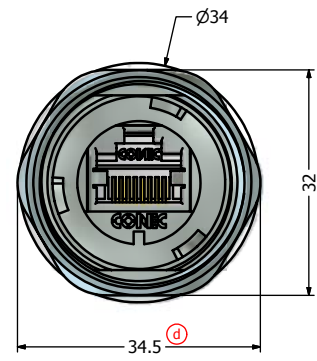
Recommended Single-D (d)
Panel Cutout



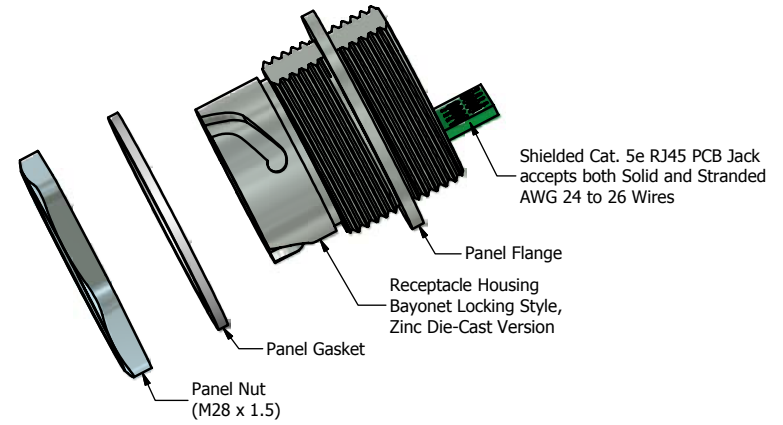
Recommended Double-D (c)
Panel Cutout



Bayonet Channel x 3



(d)



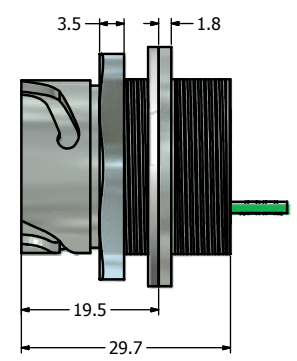
Shielded Cat. 5e RJ45 PCB Jack accepts both Solid and Stranded AWG 24 to 26 Wires

Panel Flange

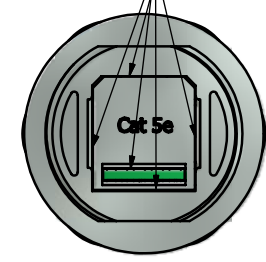
Receptacle Housing Bayonet Locking Style, Zinc Die-Cast Version

Panel Gasket

Panel Nut (M28 x 1.5)



Sealed with Sealing Compound, provides IP67 even when uncovered (For potted version only)



Notes:

- Electrical Specifications:
 - Meets EIA/TIA-568-B.2 Cat.5e Specification
 - Contact Resistance: 20mOhm max.
 - Insulation Resistance: 500MOhm min. @ 100 VDC
 - Current Rating: 1.2A max. at 25° C
 - Working Voltage: 100 VDC
 - DWV: 1000 VDC/60s Contact to Contact, 1500 VDC/60s Contact to Metal Shell
 - Operating Temperature: -40° C to +85° C
- Material and Finish:
 - Receptacle Housing: Zinc Die-cast, Finish: Nickel Plated
 - Panel Nut: Brass, Finish: Nickel Plated
 - Panel Gasket: Silicon, Color: White
 - RJ45 PCB Jack Metal Shell: Copper Alloy, Nickel Plated
 - RJ45 PCB Jack Plastic Housing: Glass filled PBT UL94 V-0, Color: Black
 - RJ45 PCB Jack Contacts: Phosphor Bronze, Finish: 50u" Gold min. over Nickel
- Connector can be front or rear mounted to a maximum panel thickness of 3.2mm.
- IP67 rated when fully mated with the appropriate connector
- RoHS compliant

Directive 2002/95/EC RoHS Compliant

(b) (d)	Description	Part Number
	Nickel Plated Zinc Die-Cast with Shielded Cat5e RJ45 PCB Jack	17-101784
	Potted Nickel Plated Zinc Die-Cast with Shielded Cat5e RJ45 PCB Jack	17-102184

THIS DRAWING MAY NOT BE COPIED, OR REPRODUCED IN ANY WAY AND MAY NOT BE PASSED ON TO A THIRD PARTY WITHOUT WRITTEN PERMISSION. OWNERSHIP AND COPYRIGHT OF CONEC CORPORATION. DO NOT ALTER CAD DRAWING BY HAND	Customer:		Tolerance Unless otherwise specified		Scale: NTS	Dim. in mm
	Name		0 PLC ±0.50 1 PLC ±0.38 2 PLC ±0.25 3 PLC ±0.10 ANGLES ±3°			
	Approval Date		Date		Autodesk Inventor	
			2010		Name	
			Draw. May 20		Vincent Ke	
		Appd. May 20		J. Chaudry		
d 3 x d Mar/02/2011 Vincent ke		Norm		Title: Receptacle Assembly Kit with Cat. 5e RJ45 PCB Jack Nickel Plated Zinc Die-Cast Version		
c 1 x c Jan/28/2011 Vincent ke		D-old				
b 3 x b Dec/16/2010 Vincent ke						
a original				Drawing No.: 17K1A146		DIN A3
Rev. Changes Date Name				Part No.: SEE TABLE ABOVE		Sheet 1/1

