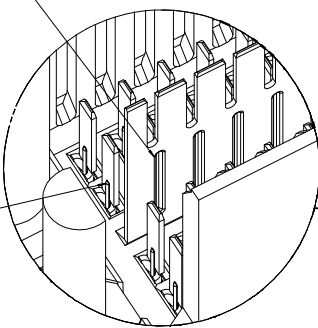


ROW AG & EG RECOMMENDED FOR ALL APPLICATIONS. THESE ROWS SHOULD BE CONNECTED TO GROUND.

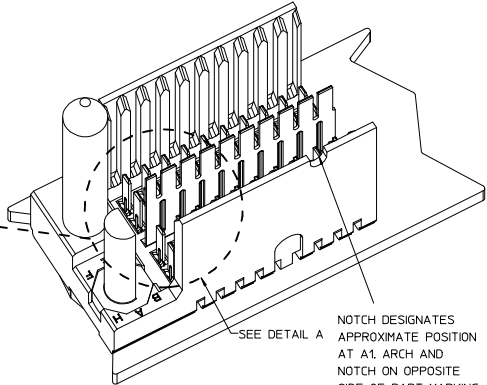
BACKPLANE HOLE PATTERN (COMPONENT SIDE-10 POS SHOWN)

MATING SIDE OF SHIELD (OPPOSITE RIB SIDE OF CONTACT)

MATING SIDE OF SIGNAL (RIB SIDE OF CONTACT)

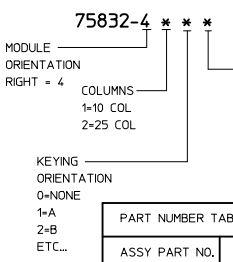


DETAIL A SCALE 10:1



NOTCH DESIGNATES APPROXIMATE POSITION AT A1 ARCH AND NOTCH ON OPPOSITE SIDE OF PART MARKING.

- NOTES:**
- MATERIAL: HOUSING - LIQUID CRYSTAL POLYMER (LCP) GLASS-FILLED. UL 94V-0, COLOR - GRAY. SIGNAL CONTACT AND GROUND BLADE - HIGH PERFORMANCE COPPER ALLOY.
 - FINISHES: SELECTIVE GOLD (Au) ON CONTACT AREA, SELECTIVE TIN (Sn) ON PCB TAILS, NICKEL (Ni) OVERALL.
 - THIS PART CONFORMS TO MOLEX PRODUCT SPECIFICATION PS-75221-999.
 - FOR MIXED CONTACT MATING LENGTHS CONSULT MOLEX FOR AVAILABILITY. CONTACT PAIRS MUST BE THE SAME LENGTH.
 - FOR SPECIFIC PART NUMBER AND MATING INFORMATION PLEASE REFER TO CHART.
 - PACKAGE PER PK-70873-5058.
 - EITHER MARK PART NUMBER AND DATE CODE APPROXIMATELY WHERE SHOWN OR PLACE A LABEL ON THE TUBE.
 - OPTIONAL HOLE LOCATION FOR GROUNDED GUIDE PIN OR ADDITIONAL GUIDE PIN SUPPORT, FOR GROUNDED GUIDE, HOLE TO BE PLATED, DRILL SIZE Ø2.58, PAD SIZE Ø5.50
 - THESE PARTS CONFORM TO MOLEX COSMETIC SPECIFICATION PS-45499-002 CLASS B.
 - MAPS (MOLEX ADVANCED PLATING SYSTEM).



PIN LENGTH DIM "M"	GOLD (Au) THICKNESS micrometers
0-3.55 mm	0.25 (MAPS)
1-4.55 mm	
2-5.55 mm	
3-3.55 mm	0.76
4-4.55 mm	
5-5.55 mm	
7-3.55 mm	1.27
8-4.55 mm	
9-5.55 mm	

ASSY PART NO.	K	L	P	TOTAL NO. OF DIFFERENTIAL PAIRS
75832-41**	9	16,65	24,78	20
75832-42**	24	44,40	52,53	50

P/N	---0*	---1*	---2*	---3*	---4*	---5*	---6*	---7*	---8*
75832-()	0	A	B	C	D	E	F	G	H
KEYING PIN ORIENTATION									

LEAD-FREE PLATING ON SIGNALS, & GROUNDS.

ADD MAPS EC NO: UCP2013-5239 DRAWN BY: DRINKVANG01 CHKD/MOLEX: CHYK/MOLEX APPR/SCHILLER: 2013/06/06 2014/02/03	QUALITY SYMBOLS ∇=0 ∇=0 ∇=0	GENERAL TOLERANCES (UNLESS SPECIFIED) 4 PLACES ± mm ± INCH 3 PLACES ± mm ± INCH 2 PLACES ± 0.13 ± mm ± INCH 1 PLACE ± 0.25 ± mm ± INCH 0 PLACE ± mm ± INCH	DIMENSION STYLE MM ONLY	SCALE DESIGN UNITS METRIC	THIRD ANGLE PROJECTION	
	DRAWN BY: THOMAS CHECKED BY: DATE APPROVED BY: KMULVEY DATE: 2006/01/16 DATE: 2006/01/17	TITLE GBX 2-PAIR RIGHT END BACKPLANE ASSEMBLY LEAD-FREE SALES DRAWING	MATERIAL NO. SEE TABLE	DOCUMENT NO. SD-75832-410	SHEET NO. 1 OF 1	THIS DRAWING CONTAINS INFORMATION THAT IS PROPRIETARY TO MOLEX INCORPORATED AND SHOULD NOT BE USED WITHOUT WRITTEN PERMISSION