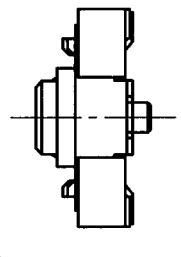
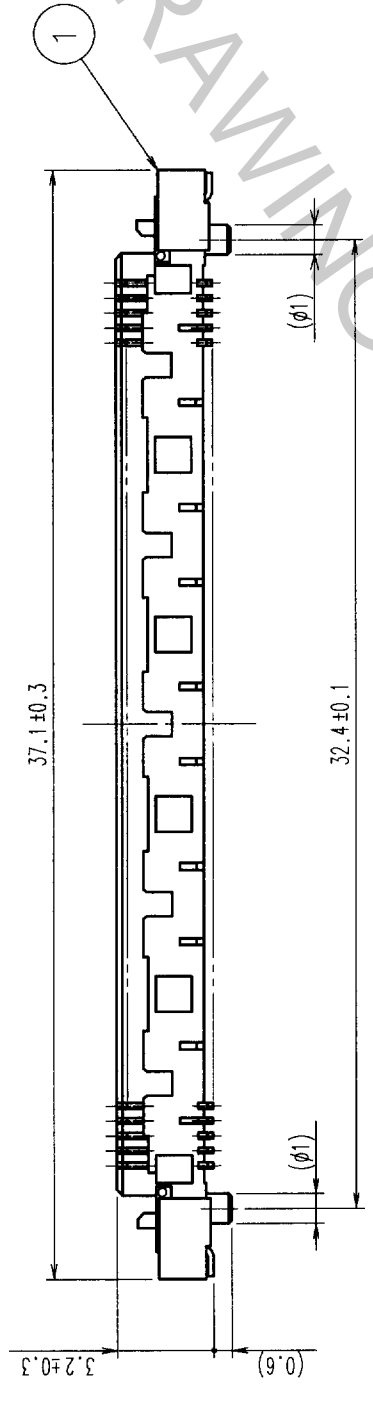
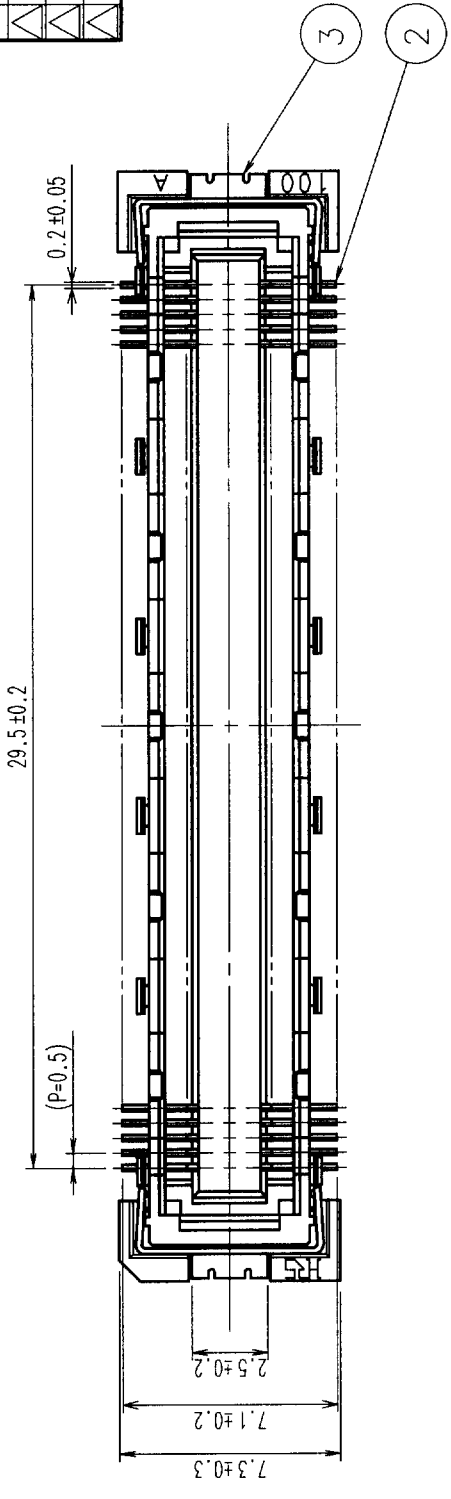
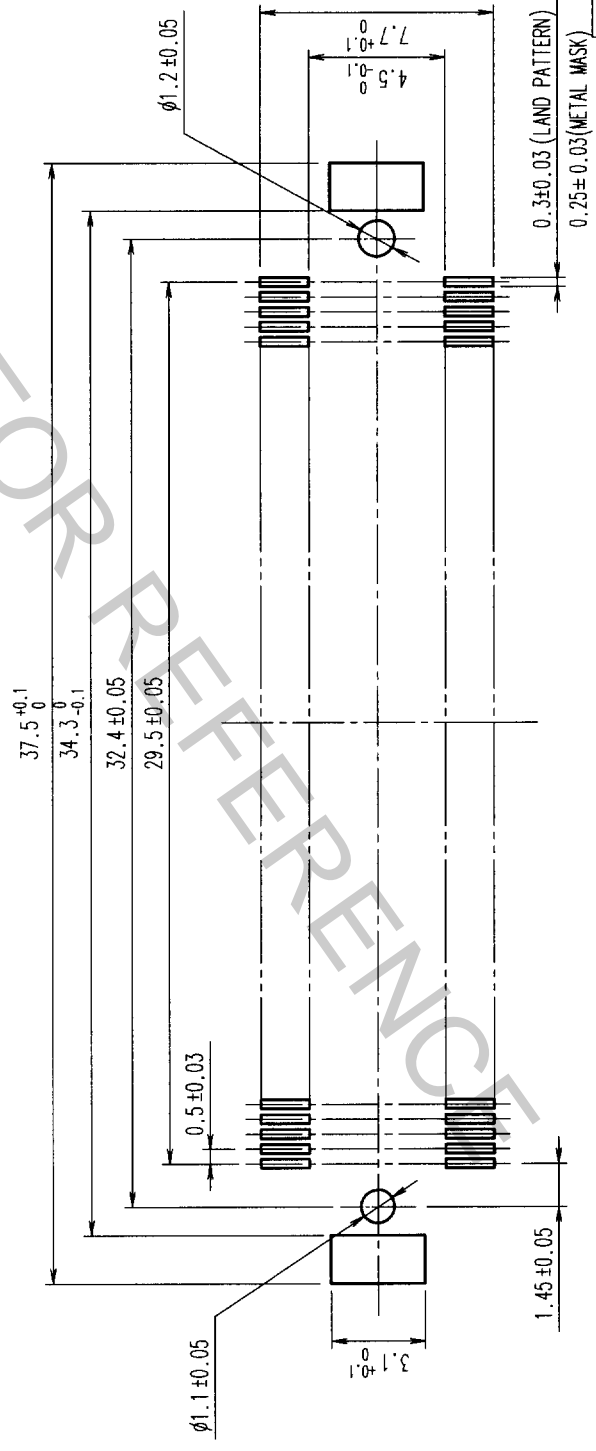


COUNT	DESCRIPTION OF REVISIONS	BY	CHKD	DATE	COUNT	DESCRIPTION OF REVISIONS	BY	CHKD	DATE
△					△				
△					△				
△					△				



RECOMMENDED LAND PATTERN DIMENSION OF PCB

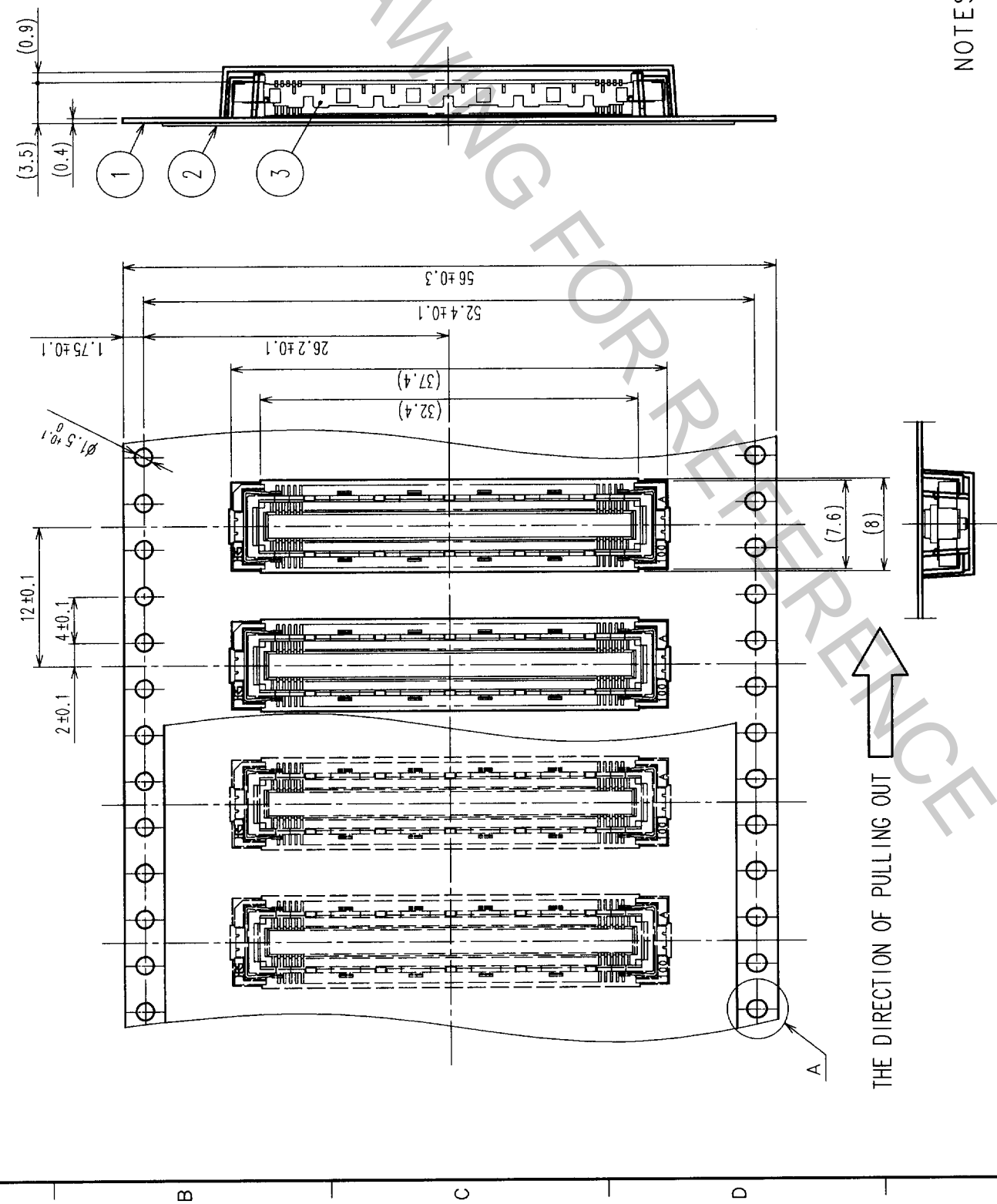


- NOTES
- 1 SMT LEAD-COPLANARITY: 0.1 MAX.
  - 2 THIS PRODUCT HAS NO POLARITY TO PATTERN TO PATTERN FOR MOUNTING.
  - 3 EMBOSS CARRIER TAPE PACKAGE IS APPLIED ON THIS PRODUCT. PLEASE REFER TO THE SHEET 2/2 FOR THE DETAILS.

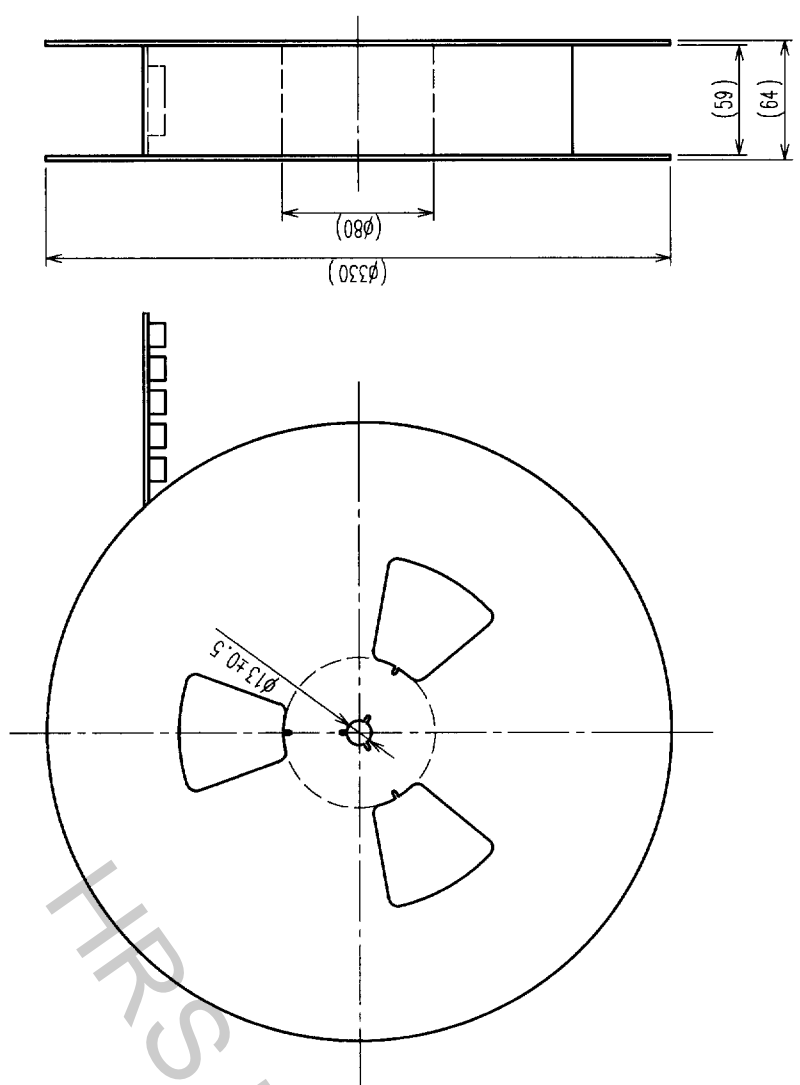
2	PHOSPHOR BRONZE	CONTACT AREA: GOLD (0.1μm) OVER NICKEL	DESIGNED	J. Sabada	00-01-07	00-01-11	00-01-11		
1	LCP	LEAD: GOLD FLASH OVER NICKEL	CHECKED	J. Sabada	00-01-07	00-01-11	00-01-11		
NO. MATERIAL		BEIGE UL94V-0	DRAWN		J. Sabada	00-01-07	00-01-11	APPROVED	
CODE NO. (OLD)		FINISH, REMARKS	CL		00-01-07		FINISH, REMARKS		RELEASED
DRAWING NO.		EDC3-151985-01		PART NO.		FX10A-120S-SV (21)			
SCALE		4 : 1		CODE NO.		CL570-0242-1-21			
UNITS		mm		HIROSE ELECTRIC CO., LTD					

TO	
PCK	

COUNT	DESCRIPTION OF REVISIONS	BY	CHKD	DATE	COUNT	DESCRIPTION OF REVISIONS	BY	CHKD	DATE
1					1				
2					2				
3					3				



REELED DIMENSION (Free)



- NOTES
- 1 REEL: 1000 CONNECTORS.
  - 2 MINIMUM 10 COMPARTMENTS FROM BOTH REEL ENDS REMAIN EMPTY.
  - 3 THIS PRODUCT HAS NO POLARITY TO TAPE AND REEL PACKAGING.

2	PET	TOP COVER TAPE	3	(CONNECTOR)
1	PS	EMBOSSED CARRIER TAPE	3	
NO.	MATERIAL	FINISH, REMARKS	NO.	MATERIAL
CL				
DRAWING FOR PACKING		DESIGNED	CHECKED	APPROVED
DRAWING NO. EDC3-151985-01		J. Sakoda	M. Sakoda	M. Sakoda
SCALE 2 : 1		00.01.09	00.01.11	00.01.11
UNITS mm		PART NO. FX10A-120S-SV(21)		
HRS HIROSE ELECTRIC CO., LTD		CODE NO. CL570-0242-1-21		
		2		

TO	
PCK	