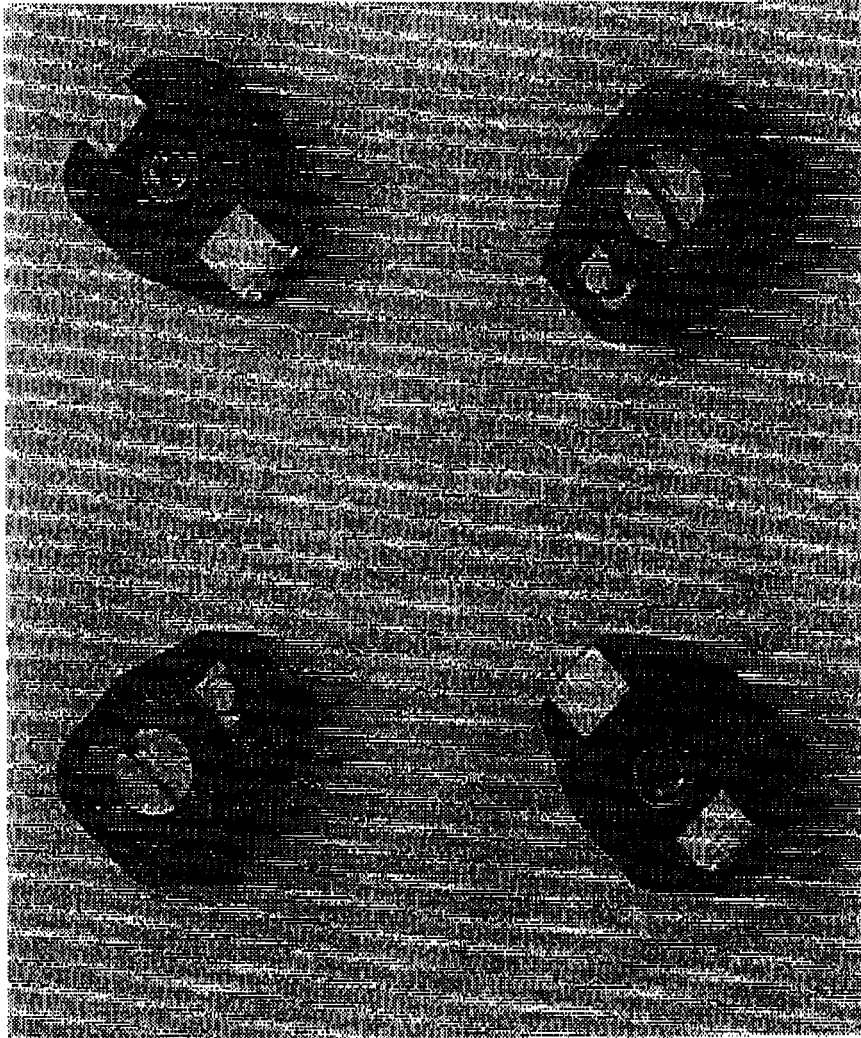


SMD Trimmer Capacitor Film Dielectric 2807S

Film Dielectric Trimmer Capacitor 7mm



Features:

True SMD design

High Q PTFE Teflon film dielectric (1000@10MHz)

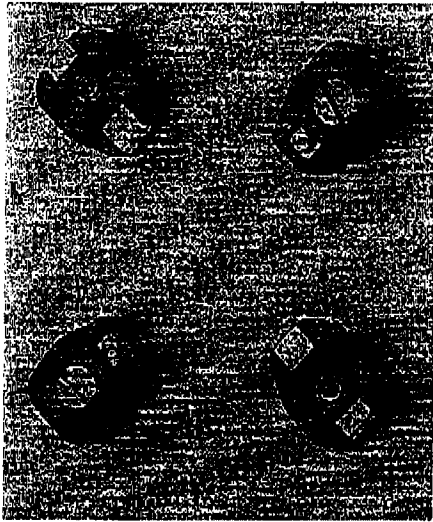
Available in bulk or 13" (33cm) reels

Wide -40 to 85°C operating range

SMD Trimmer Capacitor Film Dielectric

2807S

Film Dielectric Trimmer Capacitor
7mm



SPECIFICATIONS

Electrical

Insulation Resistance	: 100MΩ minimum (@100V)
Voltage rating	: 100V dc
Minimum Q	: 1000 @ 10MHz 300 @ 100 MHz
Temperature coefficient	: +/-100ppm/°C
Operating Temperature Range	: -40 to 85°C

Mechanical

Effective angle of rotation	: 360°
Operating Torque	: 20-30 g•cm
Ratio of maximum to minimum torque	: <3:1
Maximum soldering temperature:	: 260°C for 5 seconds

Features:

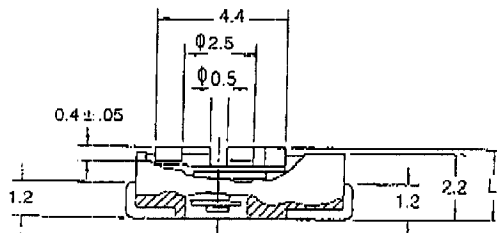
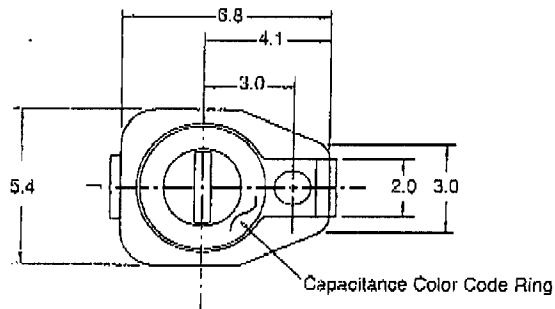
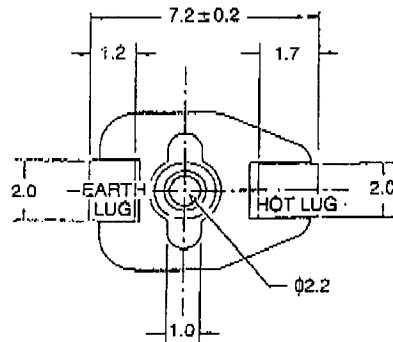
- True SMD design
- High Q PTFE Teflon film dielectric (1000@10MHz)
- Available in bulk or 13" (33cm) reels
- Wide -40 to 85°C operating range

Part Number

2807S **0R505NHA4** **TAA**

Model _____
 Capacitance range designator _____
 Packaging: TAA=3000 piece T&R
 BAA=1000 piece bulk

(dimensions in mm)



2807S

Surface Mount

ORDERING PART NUMBER

PHILIPS COMPONENTS ORDERING PART NUMBER	CAPACITANCE RANGE		L in. (mm)	CAPACITANCE COLOR CODE	PACKAGING
	min.	max.			
2807S0R505NHA4TAA	0.3 ± 0.2	5-0.5/+3	0.087 (2.2)	orange	Tape & reel
2807S0R505NHA4BAA	0.3 ± 0.2	5-0.5/+3	0.087 (2.2)	orange	Bulk
2807S0R610NHB4TAA	0.4 ± 0.2	10-1/+5	0.087 (2.2)	black	Tape & reel
2807S0R610NHB4BAA	0.4 ± 0.2	10-1/+5	0.087 (2.2)	black	Bulk
2807S0R815NHC4TAA	0.5 ± 0.3	15-0/+7	0.094 (2.4)	blue	Tape & reel
2807S0R815NHC4BAA	0.5 ± 0.3	15-0/+7	0.094 (2.4)	blue	Bulk
2807S1R020HND4TAA	0.7 ± 0.3	20-0/+10	0.100 (2.55)	green	Tape & reel
2807S1R020HND4BAA	0.7 ± 0.3	20-0/+10	0.100 (2.55)	green	Bulk