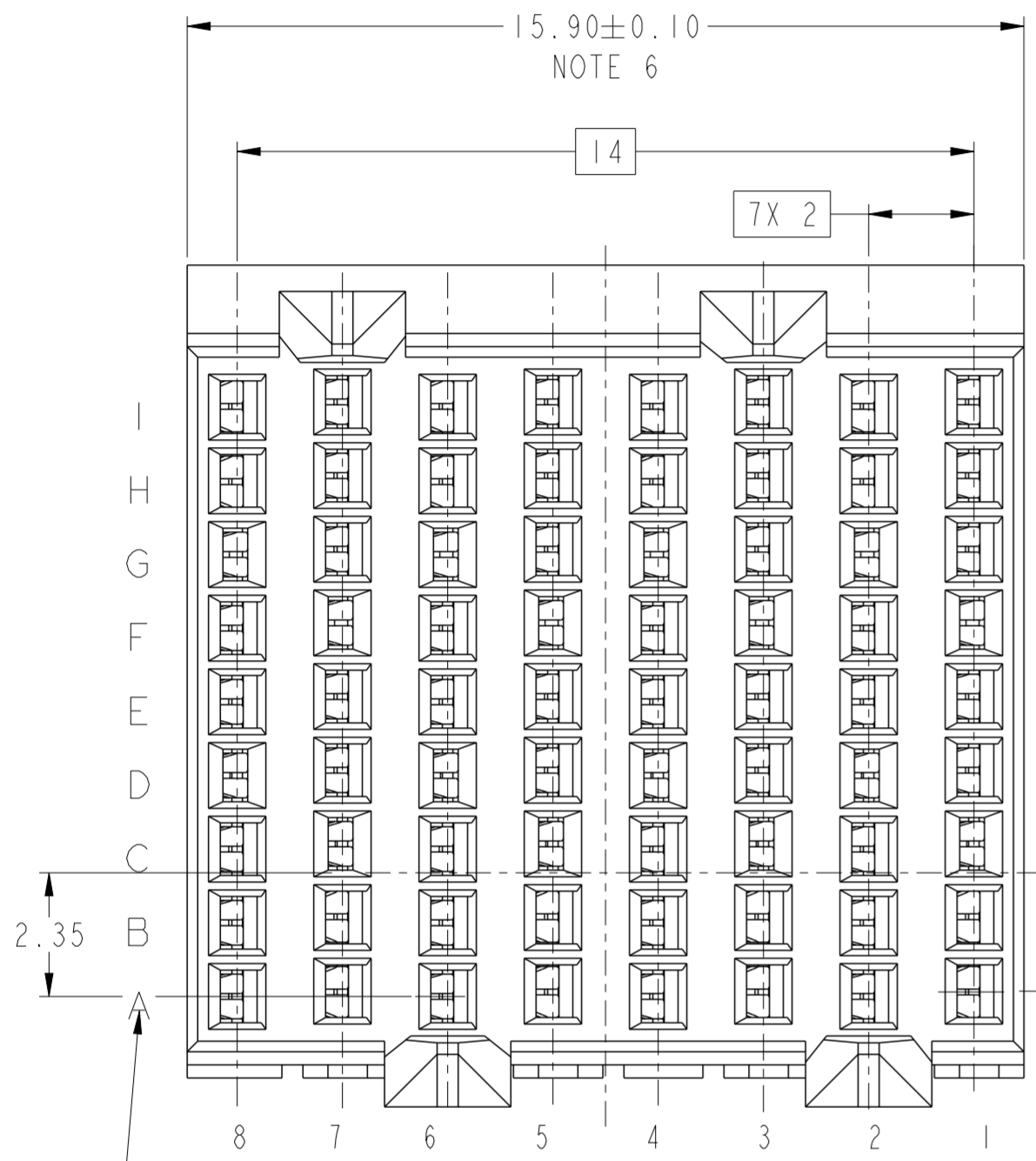


PRODUCT NUMBER  
SEE SHEET 3



TOP SURFACE OF DAUGHTER CARD

2.25

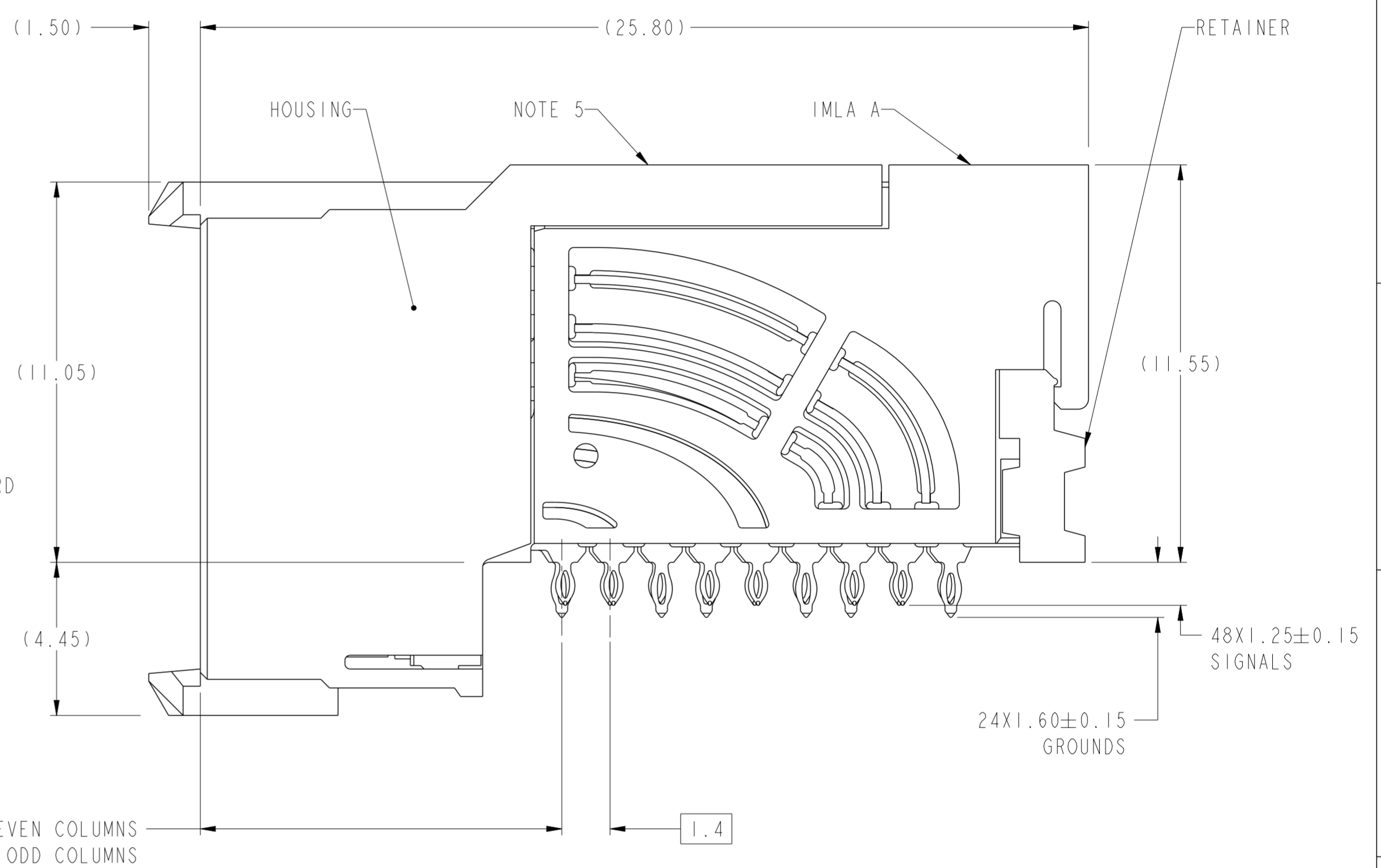
2.35

10.50¢ OF EVEN COLUMNS  
10.60¢ OF ODD COLUMNS

ODD COLUMN, CONTACT ROW ID

EVEN COLUMN, CONTACT ROW ID  
ODD AND EVEN COLUMNS ARE OFFSET

COLUMN ID



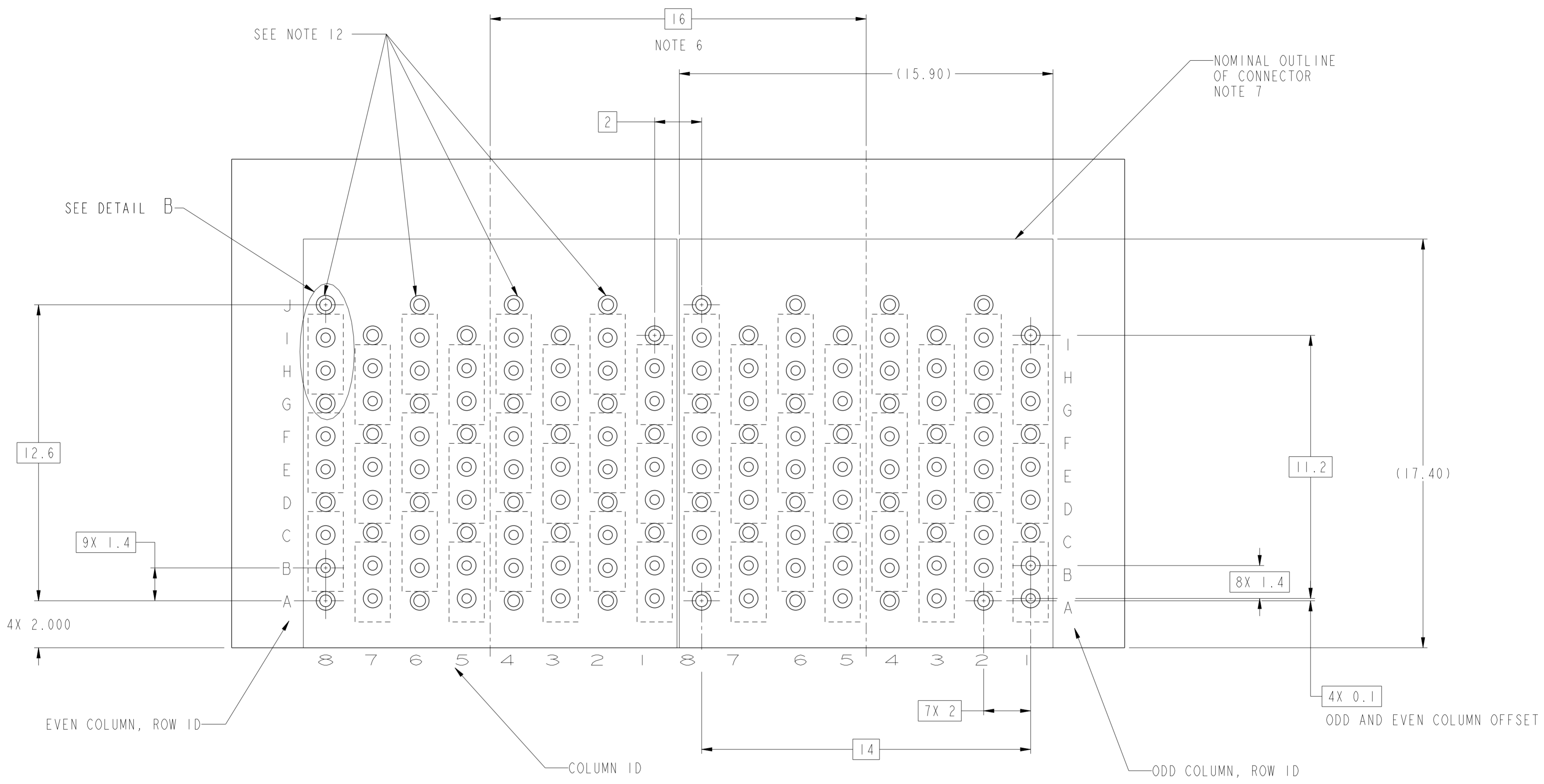
spec ref	---	dr	Lin-Soe Ngwe	2012/10/05	projection	MM	size	A2	scale	1:1		
tolerance std	ASME Y14.5M	eng	Jackie Chen	2015/02/06			ecn no	ELX-DG-20165-1				
TOLERANCES UNLESS OTHERWISE SPECIFIED		chr	-				rel level	Released				
surface	✓	appr	Collins Lu	2015/02/06			product family	AirMax VSE		dwg no	10122263	
	linear	0.X	±.3		title			AIRMAX VSE R.A. RECEPTACLE			rev	B
		0.XX	±.10		ASS'Y, 3 PAIR, 72 POS, 8 IMLA, 16MM			cat. no.			Product - Customer Drw	sheet 1 of 3
	angular	0°	±°		www.fci.com							

PDS: Rev :B

STATUS:Released

Printed: Feb 09, 2015

Copyright FCI.  
FCI



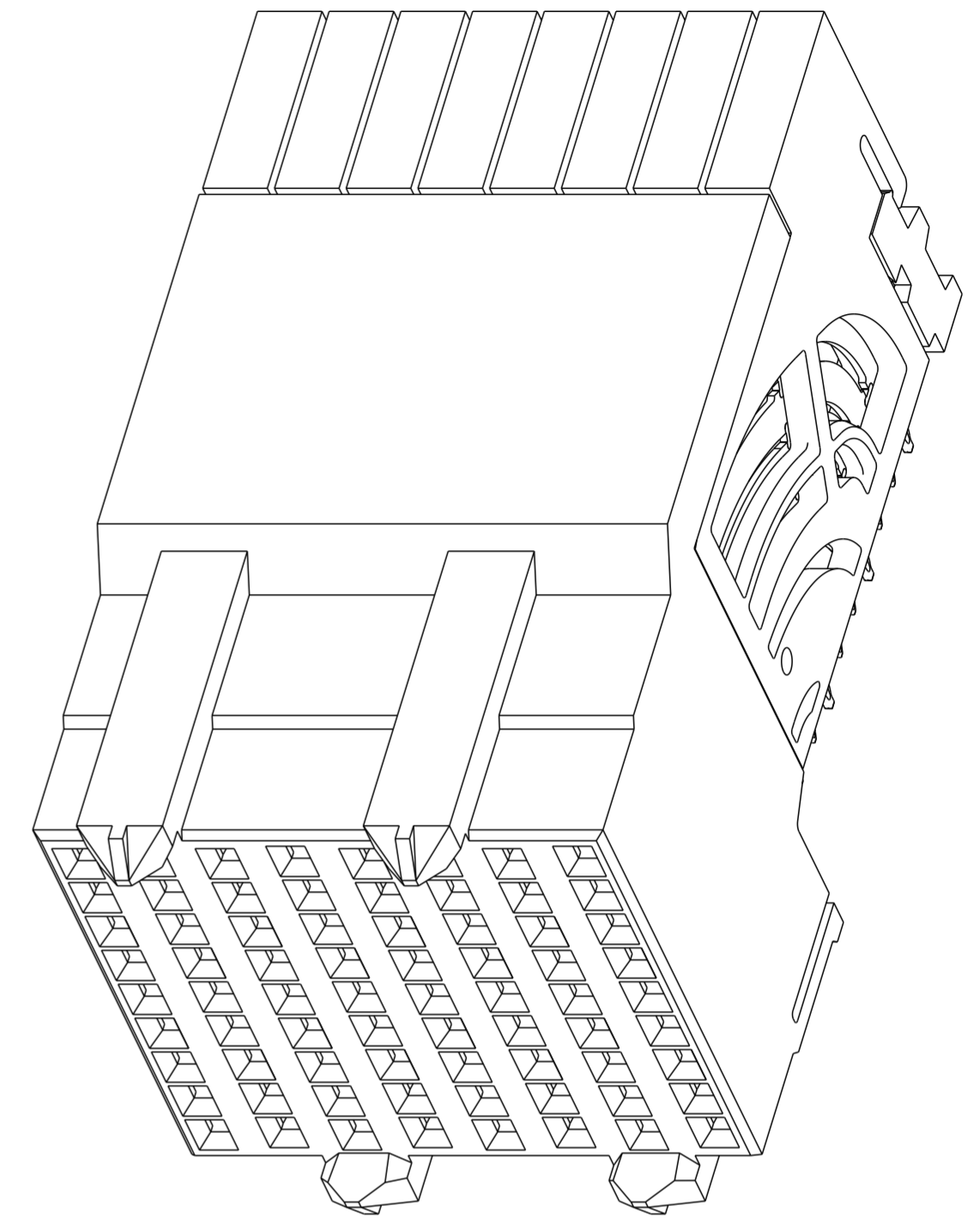
RECOMMENDED PCB LAYOUT  
FOR DIFFERENTIAL APPLICATIONS  
COMPONENT SIDE  
(TWO ADJACENT FOOTPRINTS SHOWN)  
NOTES 6, 8, & 11

Copyright FCI.  
**FCI**

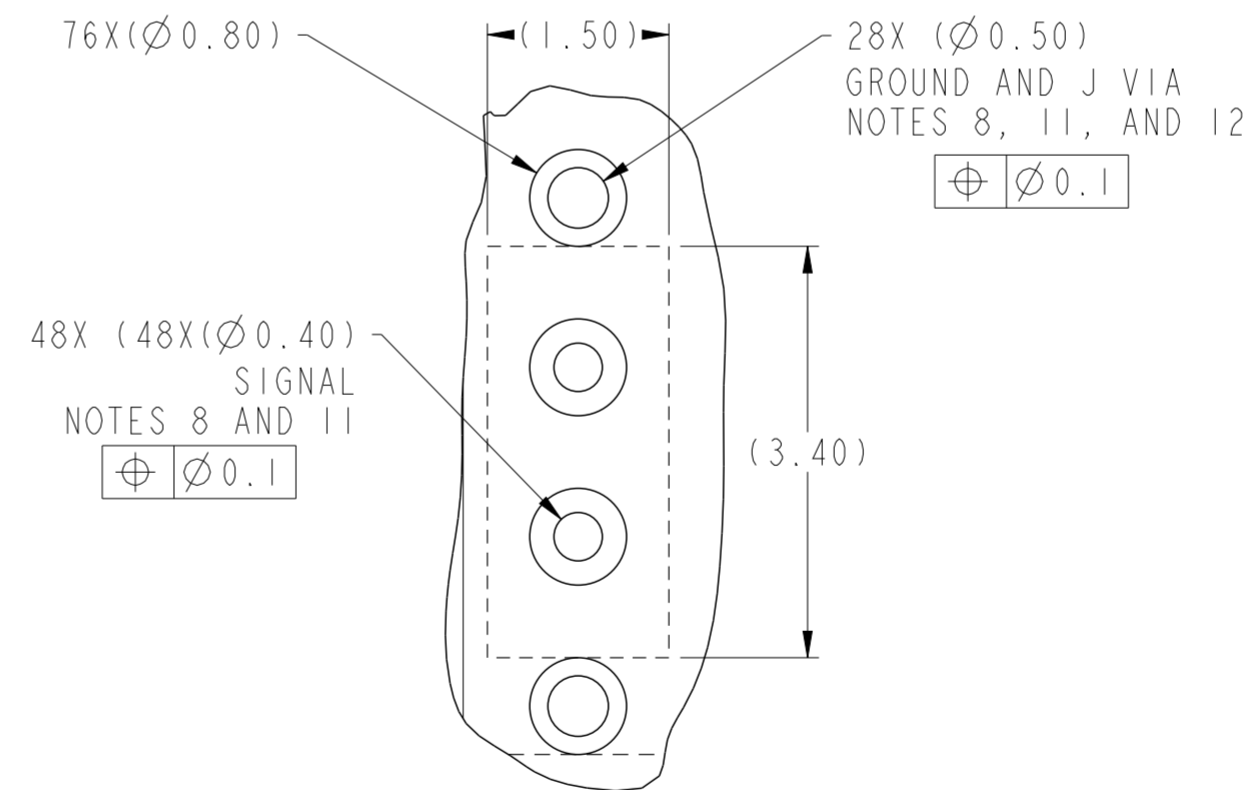
spec ref	---	dr	Lin-Soe Ngwe	2012/10/05	projection	MM	size	A2	scale	1:1
tolerance std	ASME Y14.5M	eng	Jackie Chen	2015/02/06			ecn no	ELX-DG-20165-1		
TOLERANCES UNLESS OTHERWISE SPECIFIED		chr	-	rel level			Released			
surface	✓	appr	Collins Lu	2015/02/06	product family	AirMax VSE	cat. no.	10122263		
	linear	0.X	±.3		title		AIRMAX VSE R.A. RECEPTACLE		rev B	
		0.XX	±.10		ASS'Y, 3 PAIR, 72 POS, 8 IMLA, 16MM		sheet 2 of 3			
		0.XXX	±.050		Product - Customer Drw					
	angular	0°	±°	www.fci.com	PDS: Rev :B		STATUS:Released		Printed: Feb 09, 2015	

PRODUCT NUMBER	PRESS-FIT TAIL PLATING TYPE
10122263-101	TIN/LEAD ALLOY OVER NICKEL
10122263-101LF	TIN OVER NICKEL (LEAD FREE)

- 1 - CONNECTOR MATERIALS:  
HOUSING: HIGH TEMP THERMOPLASTIC, NATURAL, UL94-V0  
IMLA PLASTIC: HIGH TEMP THERMOPLASTIC, BLACK, UL94-V0  
CONTACT: COPPER ALLOY  
ORGANIZER: HIGH TEMP THERMOPLASTIC, NATURAL, UL94-V0
- 2 - CONTACT PLATING:  
SEPARABLE INTERFACE:  
PERFORMANCE-BASED PLATING, QUALIFIED TO MEET THE REQUIREMENTS OF FCI PRODUCT SPECIFICATION GS-12-0956 INCLUDING TELCORDIA GR-1217-CORE (NOVEMBER 1995) CENTRAL OFFICE TEST SEQUENCE
- PRESS-FIT TAILS: SEE TABLE
- 3 - PRODUCT SPECIFICATION: GS-12-0956
- 4 - APPLICATION SPECIFICATION: GS-20-0305.
- 5 - PRODUCT MARKING, (PART NUMBER & LOT CODE), ON THIS SURFACE.
- 6 - THE MINIMUM CENTERLINE SPACING BETWEEN ADJACENT MODULES IS 16.0 MM.
- 7 - CONNECTOR OUTLINE MAY BE SCREEN PRINTED ONTO CUSTOMER PCB TO BE USED AS A GUIDE FOR MANUAL CONNECTOR PLACEMENT.
- 8 - REFER TO CUSTOMER DRAWING 10104444 FOR INFORMATION ON PCB HOLE DIAMETERS AND PLATING OPTIONS
- 9 - LEAD FREE PRODUCT MEETS THE EUROPEAN UNION DIRECTIVES & OTHER COUNTRY REGULATIONS AS DESCRIBED IN GS-22-008
- 10 - PACKAGING MEETS GS-14-920 LEAD FREE LABELING SPECIFICATION.
- 11 - GROUND CONTACTS (C,F, AND I IN ODD COLUMNS AND A, D, AND G, EVEN COLUMNS) REQUIRE (Ø0.500) FINISHED HOLES. SIGNAL LOCATIONS REQUIRE (Ø0.400) FINISHED HOLES.
- 12 - THESE OUTER VIAS (J) ARE OPTIONAL. WHILE NO CONNECTOR EONS ARE PRESSED INTO THESE HOLES WE RECCOMEND (Ø0.500) FINISHED HOLES AT THESE LOCATIONS TO PROVIDE GROUND SYMMETRY THROUGH THE PCB.



10122263-101 OR -101LF



DETAIL B  
SCALE 16:1

spec ref	---	dr	Lin-Soe Ngwe	2012/10/05	projection	MM	size	A2	scale	4:1
tolerance std	ASME Y14.5M	eng	Jackie Chen	2015/02/06			ecn no	ELX-DG-20165-1		
TOLERANCES UNLESS OTHERWISE SPECIFIED		chr	-	appr			Collins Lu	2015/02/06	product family	rel level
surface	✓	linear	0.X	±.3		<b>AIRMAX VSE R.A. RECEPTACLE</b> ASS'Y, 3 PAIR, 72 POS, 8 IMLA, 16MM	dwg no 10122263	rev B	Product - Customer Drw	
			0.XX	±.10					sheet 3 of 3	
			0.XXX	±.050						
		angular	0°	±°	www.fci.com	cat. no.	STATUS:Released		Printed: Feb 09, 2015	