

# Product Information

## SFP-40-W Series

100M SFP Modules



### Features

- ❖ Single + 3.3 V power Supply
- ❖ Small Form Factor Pluggable MSA Compliant.
- ❖ PECL Differential Inputs and Output
- ❖ TTL Signal Detect Indicator.
- ❖ For Single Mode Applications
- ❖ Compliant with SONET / SDH Standard
- ❖ LC Duplex Connector
- ❖ Class 1 Laser International Safety Standard IEC 825 Compliant
- ❖ Industrial Operation Temp.: -40°C to +85 °C
- ❖ RoHS Compliant



Henrich Electronics Corporation

Main Office

Tel: 860-487-9869

Fax: 860-487-9478

[www.henrich-inc.com](http://www.henrich-inc.com)

## Introduction

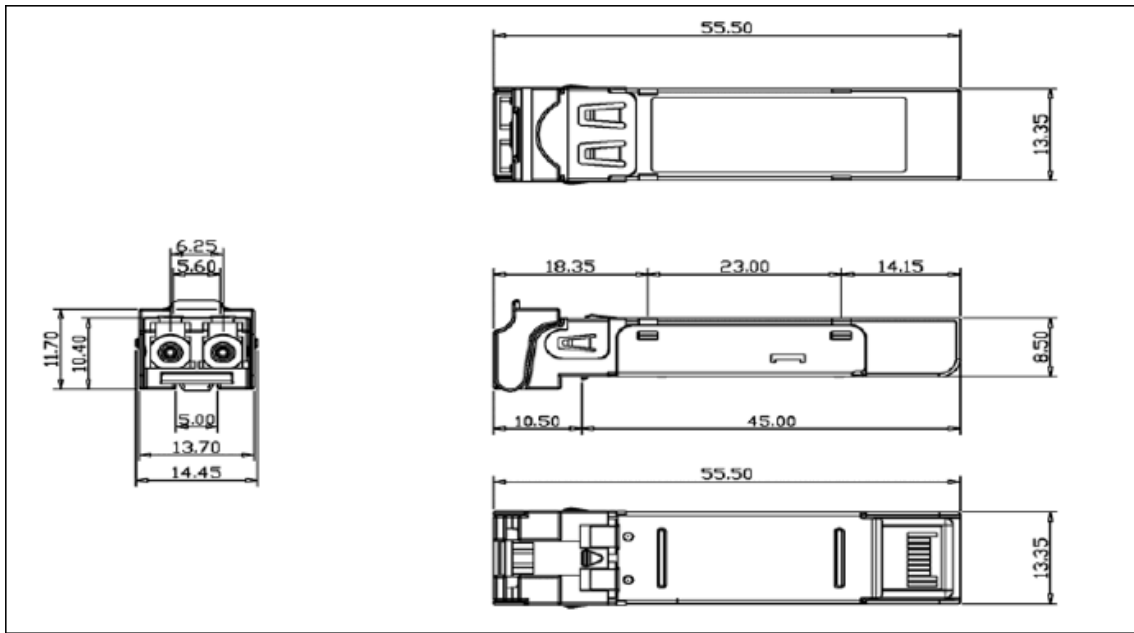
The transceiver from Henrich is small form factor pluggable module with standard LC duplex connector for fiber communications. This module is designed for single mode fiber and operates at a nominal wavelength of 1310 nm with cost effective and high performance. It is with the SFP 20-pin connector to allow hot plug capability.

## Specifications

Absolute Maximum Ratings	
Supply Voltage	0~5V
Storage Temperature	-40 to +85°C
Operating Temperature	0 to +70°C
Lead Soldering Limits	MAX: 260/10°C /sec
General Specifications	
Data Rate	50 to 200Mbps, Typ: 155Mbps
Supported Link Length on 9/125µm SMF	40Km
Transmitter Electrical Characteristics	
Supply Voltage	3.15 to 3.45V, type:3.3V
Data Differential Input Voltage	300 to 1600mV
Disable Input Voltage	-1.81 to -1.48V
Enable Input Voltage	-1.16 to -0.88V
Transmitter Optical Characteristics	
Output Optical Power on 9µm SMF :	-15 to 0dBm
Center Wavelength :	1280 to 1340nm, Type:1310
Spectral Width (RMS)	Type: 2nm
Optical Rise Time (20%-80%)	Max: 2ns
Optical Fall Time (20%-80%)	Max: 2ns
Extinction Ratio	Min: 8.2dB

Receiver Electrical Characteristics	
Supply Voltage	3.15 to 3.45V, type:3.3V
Data Differential Output Voltage	300 to 1000mV
Data Output Rise Time (20%-80%)	Max: 2ns
Data Output Fall Time (20%-80%)	Max: 2ns
Receiver Optical Characteristics	
Maximum Receiver Power	Min: -3dBm
Receiver Sensitivity	Type: -34dBm
Operating Wavelength	1100 to 1600nm
Signal Detect-Asserted	Max:- 34dBm avg.
Signal Detect-Deasserted	Min: -46dBm avg.
Signal Detect-Hysteresis	Min:0.5dB

Dimension drawings



Units:mm

## Ordering Information

SFP-40-W	Single Mode Fiber Port with LC Connector, 40KM, Industrial Wide Temperature:-40°C to +75°C.
----------	---