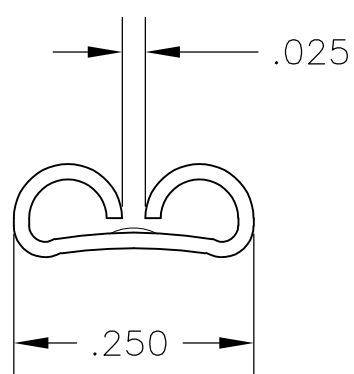
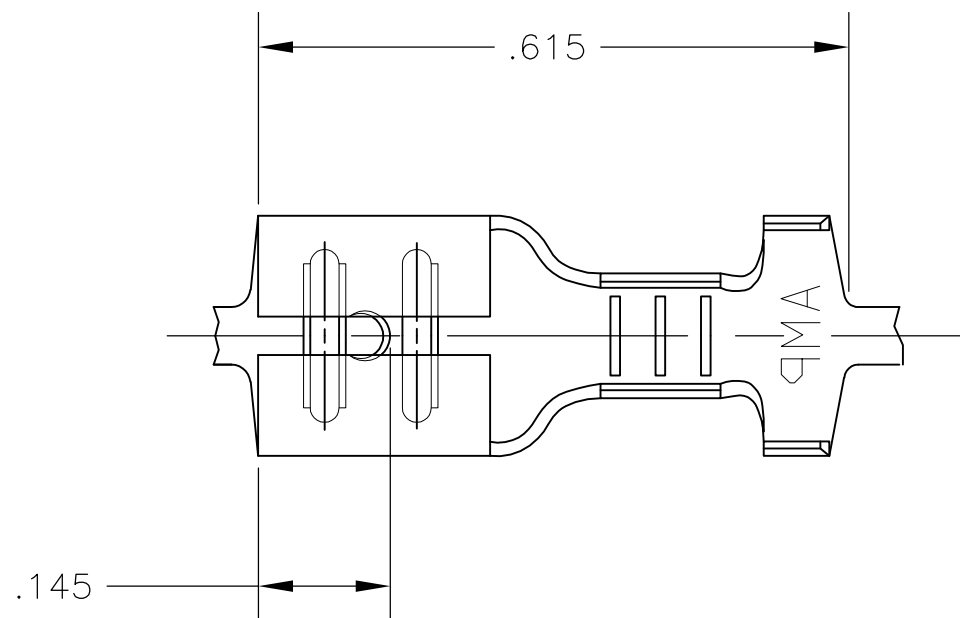


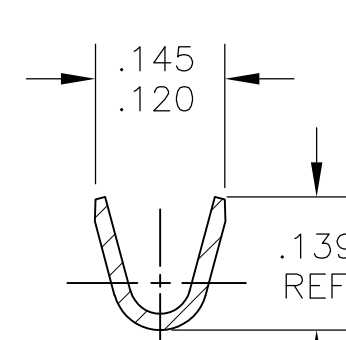
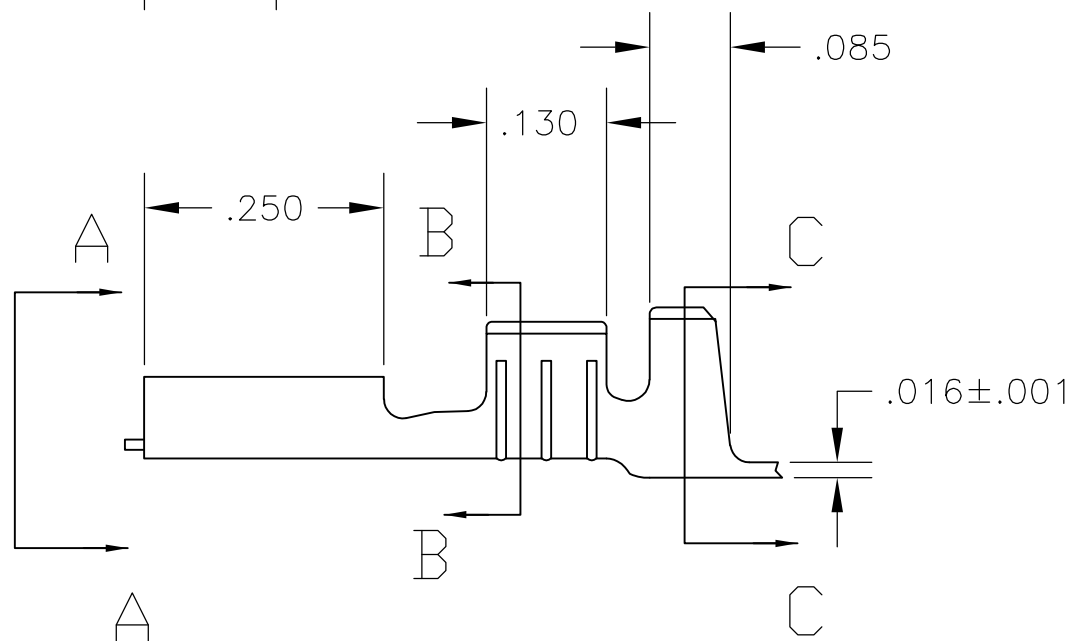
THIS DRAWING IS UNPUBLISHED. RELEASED FOR PUBLICATION
 © COPYRIGHT BY TYCO ELECTRONICS CORPORATION. ALL RIGHTS RESERVED.

| LOC | DIST | REVISIONS | | | |
|-----|------|-------------|-----------------------|---------|-------|
| P | LTR | DESCRIPTION | DATE | DWN | APVD |
| AF | 50 | A1 | REL PER ECR 07-017188 | 30JUL07 | JR PD |

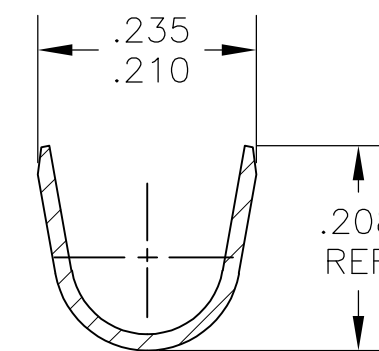
- CONTINUOUS STRIP ON REELS
- MATING TAB THK IS .032±.001
- WIRE SIZE IS #18-#14 AWG
- INSULATION RANGE IS .100-.150 DIA



VIEW
A-A



SECTION
B-B



SECTION
C-C

1742594-1

PART NO

| | | | | | |
|---|--|------------------------------|---------|---|--------------------|
| THIS DRAWING IS A CONTROLLED DOCUMENT. | | DWN jr_ruth | 03MAY07 | Tyco Electronics Corporation Harrisburg, PA 17105-3608 | |
| DIMENSIONS: INCHES | | CHK P_DESANTIS | 03MAY07 | | |
| TOLERANCES UNLESS OTHERWISE SPECIFIED: | | APVD P_DESANTIS | 03MAY07 | NAME RECEPTACLE, FASTON, .205 SERIES | |
| 0 PLC ± - 1 PLC ± - 2 PLC ± - 3 PLC ± .010 4 PLC ± - ANGLES ± 5° | | PRODUCT SPEC - | | APPLICATION SPEC - | |
| MATERIAL H02 STEEL | | FINISH .000150 MIN NICKEL | | SIZE A3 | CAGE CODE 00779 |
| CUSTOMER DRAWING | | | | DRAWING NO G-1742594 | RESTRICTED TO - |
| SCALE 5:1 | | | | SHEET 1 OF 1 | REV A1 |