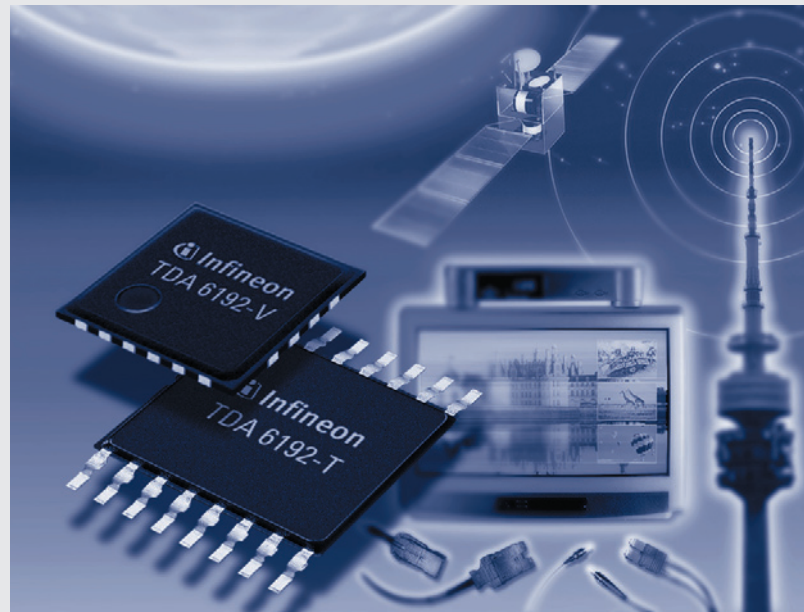


## Direct IF Sampling Amplifier

The TDA 6192-T/TDA 6192-V is a gain-controlled IF amplifier IC. The TDA 6192 can be used for DVB, ATSC, ISDB frontends with the direct IF sampling as well as PAL or NTSC frontends.

The IF amplifier based on the TDA 6190 which is used for digital applications world wide since years.



# TDA 6192

### Potential Application

- Digital TV (QAM, COFDM)
- Set-top receiver for Digital Video Broadcast (DVB-T, DVB-C), ATSC, ISDB-T and PAL or NTSC frontends

### General Description

The TDA 6192 device combines a gain-controlled amplifier, an output buffer to drive a following channel decoder IC and a delayed tuner AGC with take-over point adjustment. The gain is controlled by an external voltage.

### Features

- Input frequency range of 30 to 65 MHz
- Low intermodulation distortion
- 48 dB AGC range
- Balanced 1 Vpp buffered output
- Input for gain-control voltage
- Output for tuner AGC with take-over point adjustment
- Internal low noise reference voltage source
- Full ESD protection
- Package: P-TSSOP-16 or P-VQFN-20

| Features                             | Benefits   |
|--------------------------------------|--|
| DVB-C, DVB-T, ATSC, ISDB-T compliant | Fulfills requirements of all standards                           |
| Wide dynamic range                   | Suitable as IF amplifier for all analog and digital applications |

### Packing

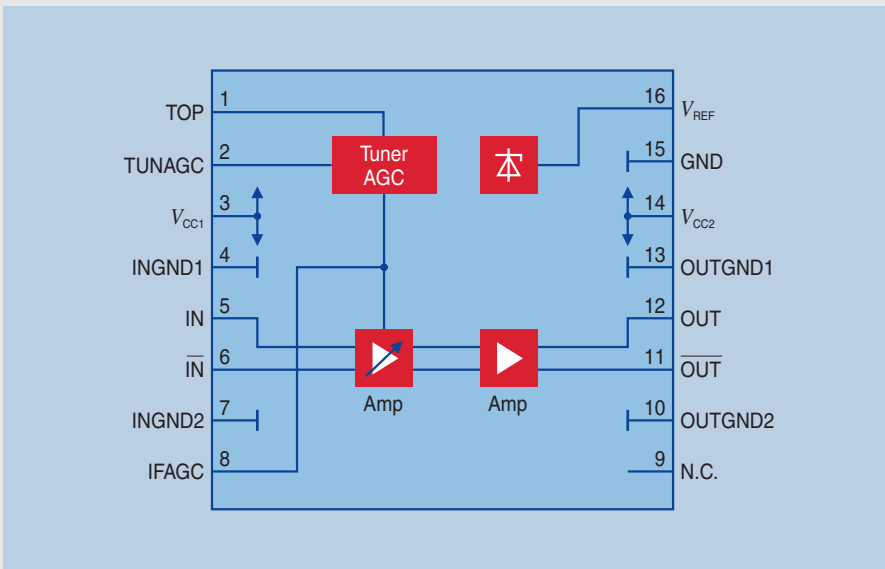
| Type       | Ordering Code                | Package    | Availability         |
|------------|------------------------------|------------|----------------------|
| TDA 6192-T | Q67037-A1073 (tape and reel) | P-TSSOP-16 | ES Q2/01<br>MP Q4/01 |
| TDA 6192-V | Q67037-A1125 (tape and reel) | P-VQFN-20  | ES on request        |

ES = Engineering Samples  
MP = Mass Production

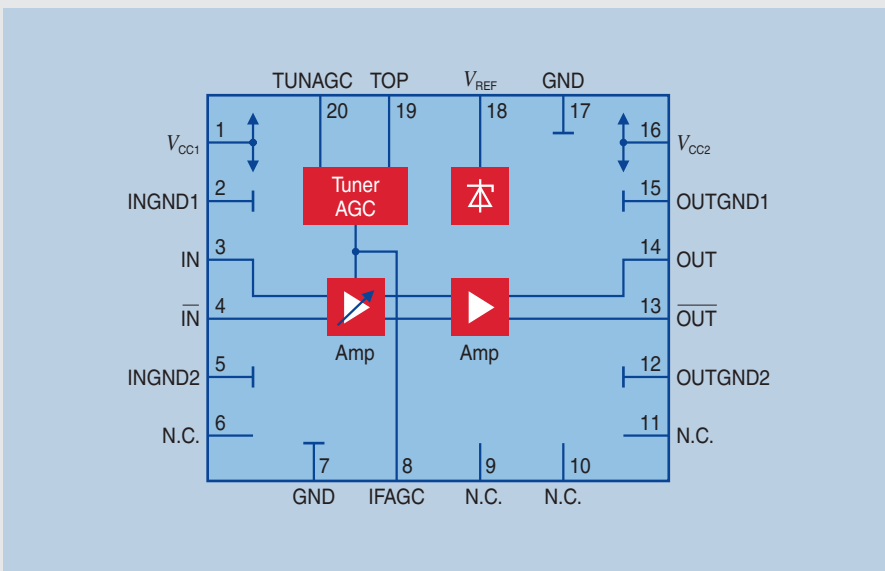
TDA 6192 - T  
TDA 6192 - V  
Direct IF Sampling Amplifier



TDA 6192-T  
Block Diagram



TDA 6192-V  
Block Diagram



Price Projection

- Standard price list
- For Key and Focus accounts or high volumes you may contact your regional Infineon sales partner

Development and Support Tools

- Evaluation Board TDA 6192

| Documentation          | Date of Issue/Version |
|------------------------|-----------------------|
| Specification TDA 6192 | 2001/Preliminary      |

How to reach us:  
<http://www.infineon.com>

Published by  
Infineon Technologies AG,  
St.-Martin-Strasse 53,  
81541 München

© Infineon Technologies AG 2001. All Rights Reserved.

Attention please!

The information herein is given to describe certain components and shall not be considered as warranted characteristics.

Terms of delivery and rights to technical change reserved.

We hereby disclaim any and all warranties, including but not limited to warranties of non-infringement, regarding circuits, descriptions and charts stated herein.

Infineon Technologies is an approved CECC manufacturer.

Information

For further information on technology, delivery terms and conditions and prices please contact your nearest Infineon Technologies Office in Germany or our Infineon Technologies Representatives worldwide.

Warnings

Due to technical requirements components may contain dangerous substances. For information on the types in question please contact your nearest Infineon Technologies Office.

Infineon Technologies Components may only be used in life-support devices or systems with the express written approval of Infineon Technologies, if a failure of such components can reasonably be expected to cause the failure of that life-support device or system, or to affect the safety or effectiveness of that device or system. Life support devices or systems are intended to be implanted in the human body, or to support and/or maintain and sustain and/or protect human life. If they fail, it is reasonable to assume that the health of the user or other persons may be endangered.