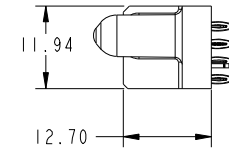
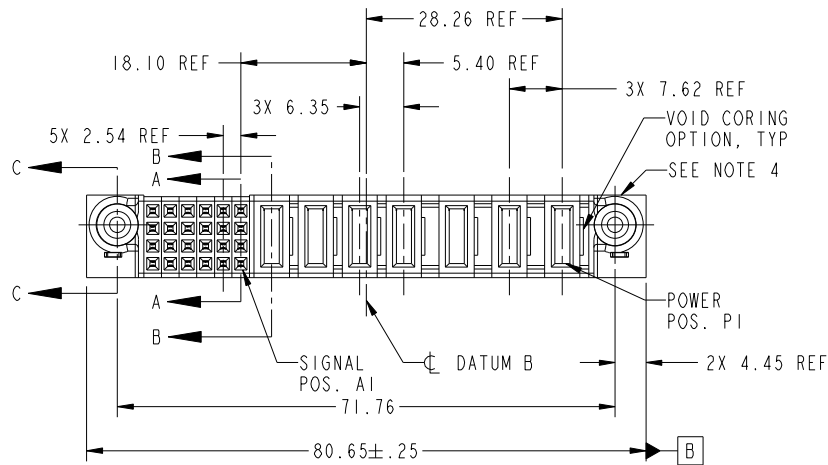


Tous droits strictement reserves. Reproduction ou communication a des tiers interdite sous quelque forme que ce soit sans autorisation écrite du propriétaire. Propriete de c FCI. Droits de reproduction FCI.



All rights strictly reserved. Reproduction or issue to third parties in any form whatever is not permitted without written authority from the proprietor. Property of FCI. Copyright FCI.

PRODUCT NO.	ROWS	SIGNAL					POWER					E1				
		E2	6	5	4	3	2	1	P7	P6	P5		P4	P3	P2	P1
51940-243-- NOTE: 3	D C B A		F	F	F	F	F	F	PC	PC	PC	PC	PC	PC	PC	



CODE	DIM "M" MATING LENGTH	CONTACT TYPE
PC	[1.07]	POWER
F	[N/A]	SIGNAL
HA	[N/A]	HOLD-DOWN

mat'l code				SEE NOTES		tolerances unless otherwise specified		CUSTOMER		FCI	
ltr	ecn no.	dr	date	linear	0.X ± 0.50	projection	COPY		www.fciconnect.com		
A	DG08-0062	JMG	01/10/08	angles	0.XX ± 0.25		title		3ACP + 4P + 24S		
				dr	0.XXX ± 0.10		product family		PwrBlade		
				enrg	0° + 2°	scale	size	dwg no	code		
				chr	JM GUO 01/10/08	1:1	A	51940-243	213		
				appd	JEROME CHENG 01/10/08				sheet		
					GARY HSIEH 01/10/08				1 of 4		
					JOSEPH HSIA 01/10/08						
sheet index	revision sheet	A	A	A	A				cage code		
1	2	3	4						22526		

Pro/E

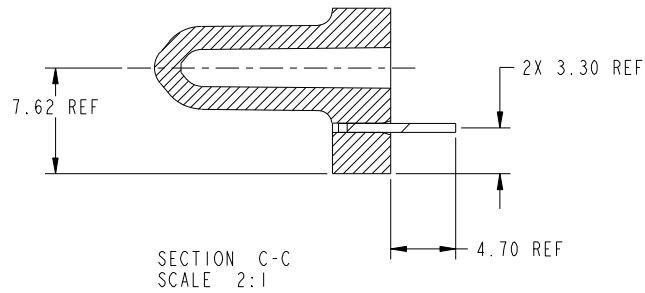
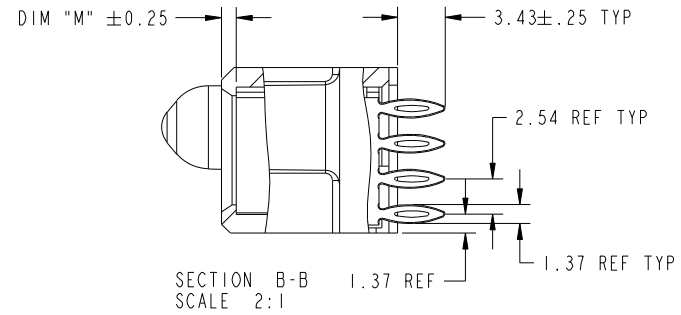
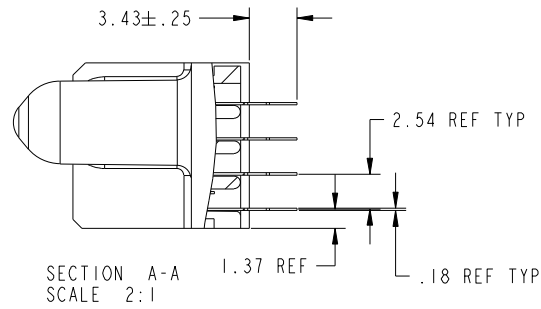
cage code 22526

Tous droits strictement reserves. Reproduction ou communication a des tiers interdite sous quelque forme que ce soit sans autorisation écrite du propriétaire. Propriete de c FCI. Droits de reproduction FCI.



All rights strictly reserved. Reproduction or issue to third parties in any form whatever is not permitted without written authority from the proprietor. Property of FCI. Copyright FCI.

PRODUCT NUMBER
51940-243--
NOTE: 3



mat'l code				tolerances unless otherwise specified		CUSTOMER		 www.fciconnect.com	
ltr	ecn no.	dr	date	linear	0.X ± 0.50	COPY		title	
A					0.XX ± 0.25	projection		3ACP + 4P + 24S	
				angles	0.XXX ± 0.10			VERTICAL PRESS-FIT RECEPT	
				dr	0° ± 2°			product family PwrBlade code	
				enr	JM GUO 01/10/08	scale		size	
				chr	JEROME CHENG 01/10/08	1:1		dwg no	
				appd	GARY HSIEH 01/10/08			A 51940-243	
					JOSEPH HSIA 01/10/08			213	
sheet index	revision sheet							sheet 2 of 4	

Pro/E

cage code 22526

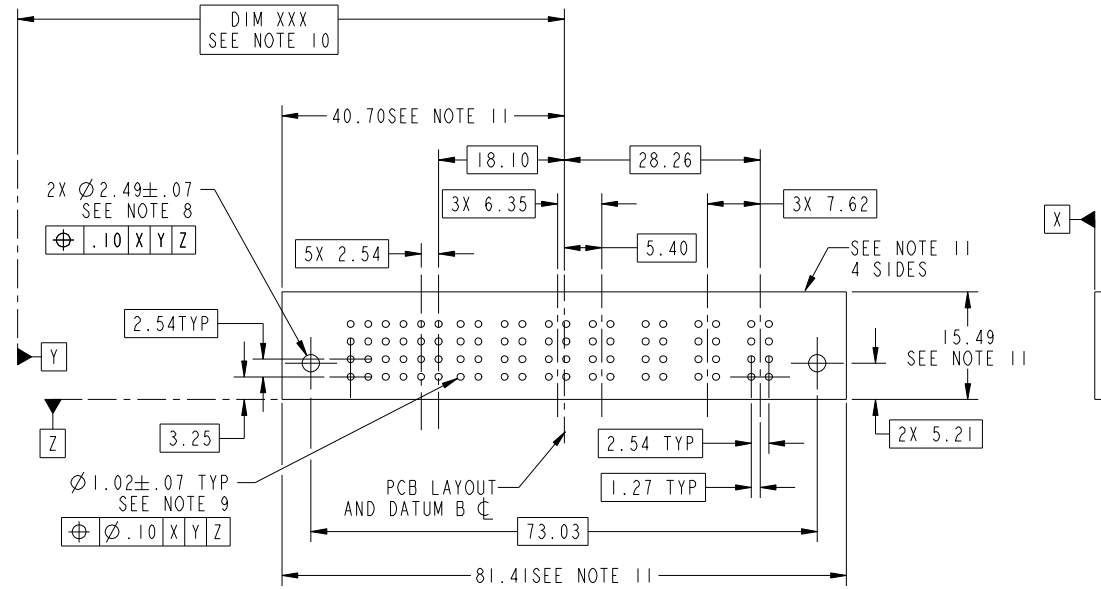
Tous droits strictement reserves. Reproduction ou communication a des tiers interdite sous quelque forme que ce soit sans autorisation écrite du propriétaire. Propriete de c FCI. Droits de reproduction FCI.

All rights strictly reserved. Reproduction or issue to third parties in any form whatever is not permitted without written authority from the proprietor. Property of FCI. Copyright FCI.



PRODUCT NUMBER
51940-243--
NOTE: 3

1 | 2 | 3 | 4



RECOMMENDED PCB LAYOUT

mat'l code				tolerances unless otherwise specified		CUSTOMER		www.fciconnect.com	
ltr	ecn no.	dr	date	linear	0.X ±0.50	COPY		title	
A					0.XX ±0.25	projection		3ACP + 4P + 24S VERTICAL PRESS-FIT RECEPT	
				angles	0.XXX ±0.10			product family PwrBlade code	
				dr	0° ±2°	MIM		213	
				enr	JM GUO 01/10/08	scale		size dwg no	
				chr	JEROME CHENG 01/10/08	1:1		A 51940-243	
				appd	GARY HSIEH 01/10/08			sheet	
					JOSEPH HSIA 01/10/08			3 of 4	
sheet index	revision sheet								

cage code 22526

1 | 2 | Pro/E | 3 | 4

Tous droits strictement reserves. Reproduction ou communication a des tiers interdite sous quelque forme que ce soit sans autorisation écrite du propriétaire. Propriete de c FCI. Droits de reproduction FCI.

All rights strictly reserved. Reproduction or issue to third parties in any form whatever is not permitted without written authority from the proprietor. Property of FCI. Copyright FCI.

PRODUCT NUMBER
51940-243--
NOTE: 3

NOTES:

1. DIMENSIONS AND TOLERANCES ARE IN ACCORDANCE WITH ASME Y14.5M, 1994 UNLESS OTHERWISE SPECIFIED.

CONNECTOR NOTES:

- 2 HOUSING MATERIAL: UL 94 V-0 GLASS FILLED
HIGH-TEMP THERMOPLASTIC
POWER CONTACT MATERIAL: COPPER ALLOY
SIGNAL PIN MATERIAL: COPPER ALLOY
 - 3. PLATING SPEC.
51940-243, 51940-243LF PLATING SPEC. WAS SHOWN IN THE PRINT OF 10064183.
 - 4 MANUFACTURER'S NAME, P/N, AND DATE CODE TO APPEAR ON THIS SURFACE.
 - 5. PRODUCT SPECIFICATION GS-12-149.
APPLICATION SPECIFICATION BUS-20-067.
 - 6. PACKAGED IN TRAYS.
- PCB NOTES:
- 7. ALL HOLE DIAMETERS ARE FINISHED HOLE SIZE.
 - 8 MOUNTING HOLES, WHERE APPLICABLE, ARE UNPLATED.
 - 9 $\varnothing 1.151 \pm 0.025$ DRILLED HOLES PLATED WITH
0.008 MIN SnPb OR Sn OVER 0.03
TO 0.08 Cu PLATING TO ACHIEVE
 $\varnothing 1.02 \pm .07$ HOLE.
 - 10 "DIM XXX" TO BE DETERMINED BY THE CUSTOMER.
 - 11 CONNECTOR KEEP-OUT ZONE.

mat'l code				tolerances unless otherwise specified		CUSTOMER		FCI	
ltr	ecr no.	dr	date	linear	0.X ±0.50	COPY		www.fciconnect.com	
A				linear	0.XX ±0.25	projection		title	
				angles	0.XXX ±0.10			3ACP + 4P + 24S VERTICAL PRESS-FIT RECEIPT	
				dr	0° ±2°	MIM		product family PwrBlade code	
				enr	JM GUO 01/10/08			size 213	
				chr	JEROME CHENG 01/10/08	scale		dwg no 51940-243 sheet	
				appd	GARY HSIEH 01/10/08	1:1		4 of 4	
					JOSEPH HSIA 01/10/08				
sheet index	revision sheet								

cage code 22526

Pro/E