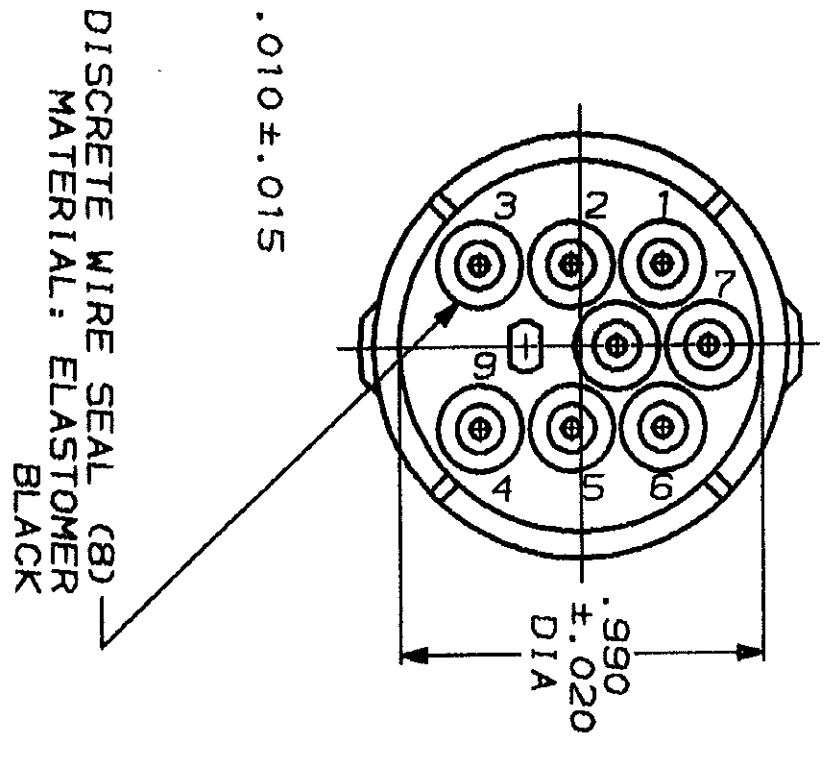
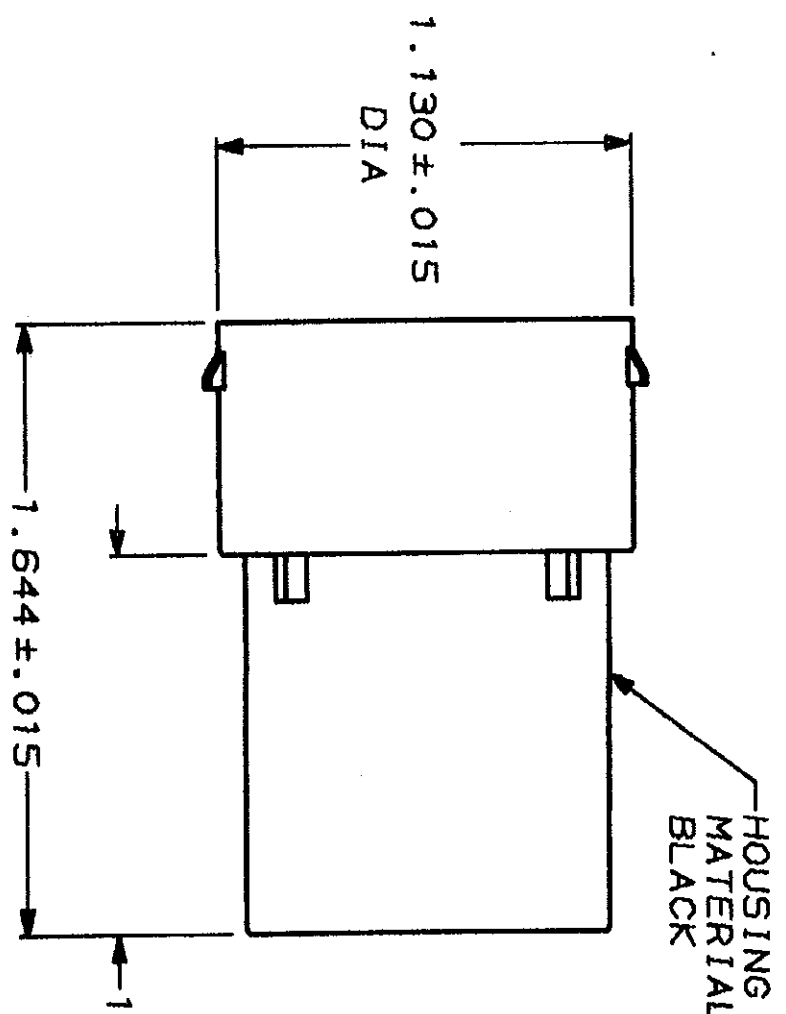
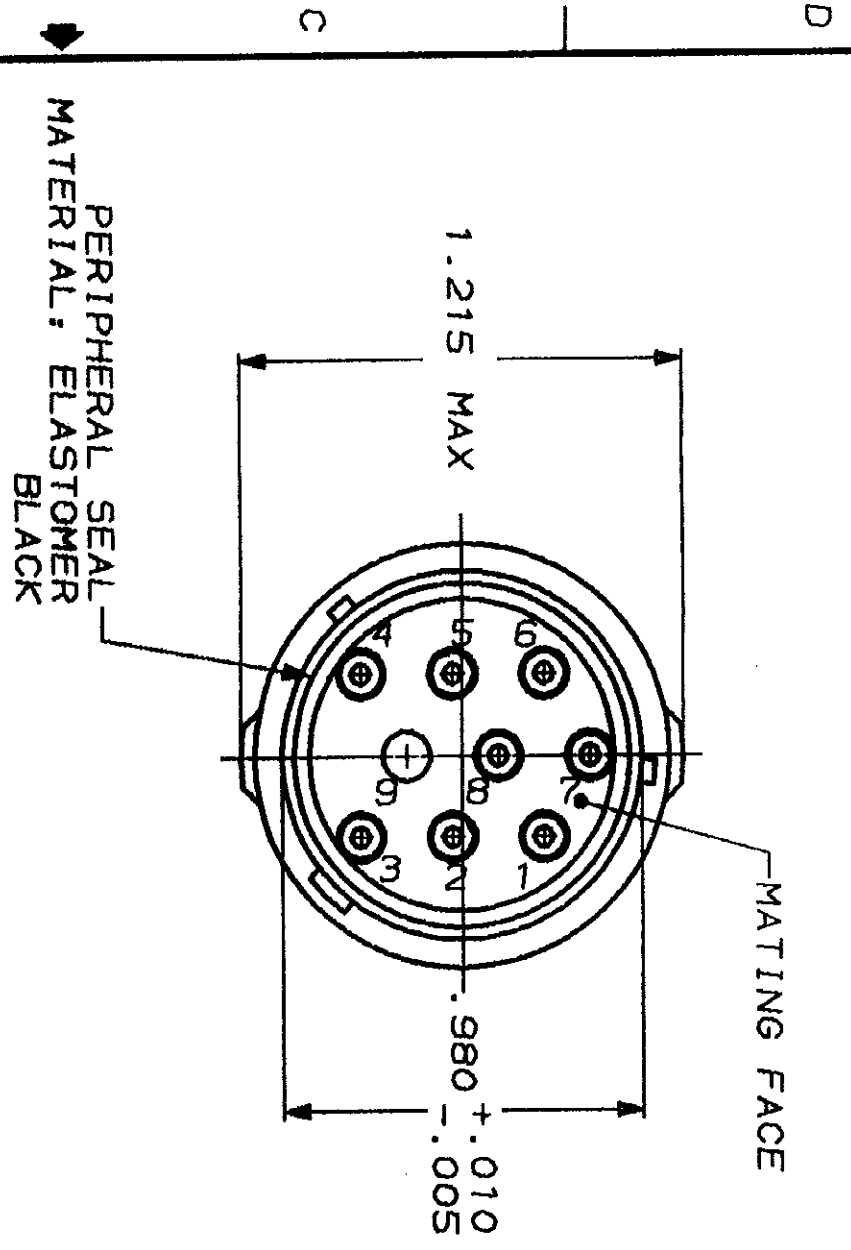


DRAWING MADE IN THIRD ANGLE PROJECTION

THIS DRAWING IS UNPUBLISHED. RELEASED FOR PUBLICATION

© COPYRIGHT 19 BY AMP INCORPORATED. ALL INTERNATIONAL RIGHTS RESERVED.

MOD	LOC	DIST	P	F	ZONE	LTR	REVISIONS	DATE	APPD
23	BD	39				C	REDRAWN AND REV PER ECN BD4183	8-10-90	X-8



1. WIRE INSULATION SEALING RANGE .070-.115 DIA.
2. MATES WITH 208678-1.
3. TOTAL LENGTH OF MATED CONNECTORS IS LESS THAN 2.500 INCHES.
4. THIN MEMBRANE PERMISSIBLE ON SMALL DIAMETER OF WIRE SEALS.
5. ROTATION OF CAVITY CIRCUIT KEY FROM PART TO PART IS PERMISSIBLE.

DO NOT SCALE PRINT. DIMENSIONS SPECIFIED UNLESS SPECIFIED OTHERWISE IN INCHES. TOLERANCES ON DIMENSIONS: .015 INCHES		DR	8-10-90	AMP INCORPORATED Millsboro, Pa. 17105	
MATERIAL: SEE CALLOUT		CHK	J. GALLUCI BS	RECEPTACLE, B POSITION, STANDARD ECONOSEAL CONNECTOR	
FINISH: -		APPD	R. B. BARNETT	SIZE	B
APPLICATION SPEC: -		DATE	1-18-91	FROM NO	00779
WEIGHT: -		SCALE	2:1	DRAWING NO	211068
		SHEET	1 OF 1		

211068-1
PART NUMBER

CUSTOMER DRAWING