



# **MCP1612 Evaluation Board User's Guide**

---

---

**Note the following details of the code protection feature on Microchip devices:**

- Microchip products meet the specification contained in their particular Microchip Data Sheet.
- Microchip believes that its family of products is one of the most secure families of its kind on the market today, when used in the intended manner and under normal conditions.
- There are dishonest and possibly illegal methods used to breach the code protection feature. All of these methods, to our knowledge, require using the Microchip products in a manner outside the operating specifications contained in Microchip's Data Sheets. Most likely, the person doing so is engaged in theft of intellectual property.
- Microchip is willing to work with the customer who is concerned about the integrity of their code.
- Neither Microchip nor any other semiconductor manufacturer can guarantee the security of their code. Code protection does not mean that we are guaranteeing the product as "unbreakable."

Code protection is constantly evolving. We at Microchip are committed to continuously improving the code protection features of our products. Attempts to break Microchip's code protection feature may be a violation of the Digital Millennium Copyright Act. If such acts allow unauthorized access to your software or other copyrighted work, you may have a right to sue for relief under that Act.

---

Information contained in this publication regarding device applications and the like is provided only for your convenience and may be superseded by updates. It is your responsibility to ensure that your application meets with your specifications. MICROCHIP MAKES NO REPRESENTATIONS OR WARRANTIES OF ANY KIND WHETHER EXPRESS OR IMPLIED, WRITTEN OR ORAL, STATUTORY OR OTHERWISE, RELATED TO THE INFORMATION, INCLUDING BUT NOT LIMITED TO ITS CONDITION, QUALITY, PERFORMANCE, MERCHANTABILITY OR FITNESS FOR PURPOSE. Microchip disclaims all liability arising from this information and its use. Use of Microchip's products as critical components in life support systems is not authorized except with express written approval by Microchip. No licenses are conveyed, implicitly or otherwise, under any Microchip intellectual property rights.

**Trademarks**

The Microchip name and logo, the Microchip logo, Accuron, dsPIC, KEELOQ, microID, MPLAB, PIC, PICmicro, PICSTART, PRO MATE, PowerSmart, rfPIC, and SmartShunt are registered trademarks of Microchip Technology Incorporated in the U.S.A. and other countries.

AmpLab, FilterLab, Migratable Memory, MXDEV, MXLAB, PICMASTER, SEEVAL, SmartSensor and The Embedded Control Solutions Company are registered trademarks of Microchip Technology Incorporated in the U.S.A.

Analog-for-the-Digital Age, Application Maestro, dsPICDEM, dsPICDEM.net, dsPICworks, ECAN, ECONOMONITOR, FanSense, FlexROM, fuzzyLAB, In-Circuit Serial Programming, ICSP, ICEPIC, MPASM, MPLIB, MPLINK, MPSIM, PICkit, PICDEM, PICDEM.net, PICLAB, PICtail, PowerCal, PowerInfo, PowerMate, PowerTool, rfLAB, rfPICDEM, Select Mode, Smart Serial, SmartTel and Total Endurance are trademarks of Microchip Technology Incorporated in the U.S.A. and other countries.

SQTP is a service mark of Microchip Technology Incorporated in the U.S.A.

All other trademarks mentioned herein are property of their respective companies.

© 2005, Microchip Technology Incorporated, Printed in the U.S.A., All Rights Reserved.

 Printed on recycled paper.

**QUALITY MANAGEMENT SYSTEM**  
**CERTIFIED BY DNV**  
**== ISO/TS 16949:2002 ==**

*Microchip received ISO/TS-16949:2002 quality system certification for its worldwide headquarters, design and wafer fabrication facilities in Chandler and Tempe, Arizona and Mountain View, California in October 2003. The Company's quality system processes and procedures are for its PICmicro® 8-bit MCUs, KEELOQ® code hopping devices, Serial EEPROMs, microperipherals, nonvolatile memory and analog products. In addition, Microchip's quality system for the design and manufacture of development systems is ISO 9001:2000 certified.*



# MCP1612 Evaluation Board User's Guide

---

---

## Table of Contents

---

---

<b>Preface</b> .....	<b>1</b>
<b>Chapter 1. Installation and Operation</b> .....	<b>5</b>
1.1 Introduction .....	5
1.2 Evaluation Board Description .....	5
1.3 How it is used .....	6
1.4 How it works .....	7
<b>Appendix A. Schematic and Board Layouts</b> .....	<b>9</b>
A.1 Introduction .....	9
A.2 Schematic .....	10
A.3 Top Silk-Screen Layer .....	11
A.4 Top Metal Layer .....	12
A.5 Bottom Metal Layer .....	13
A.6 Bottom Silk-Screen Layer (Top View) .....	14
<b>Appendix B. Bill-of-Materials (BOM)</b> .....	<b>15</b>
B.1 Introduction .....	15
<b>Worldwide Sales and Service</b> .....	<b>16</b>

# MCP1612 Evaluation Board User's Guide

---

---

NOTES:



# MCP1612 Evaluation Board User's Guide

---

---

## Preface

---

---

### NOTICE TO CUSTOMERS

All documentation becomes dated, and this manual is no exception. Microchip tools and documentation are constantly evolving to meet customer needs, so some actual dialogs and/or tool descriptions may differ from those in this document. Please refer to our web site ([www.microchip.com](http://www.microchip.com)) to obtain the latest documentation available.

Documents are identified with a "DS" number. This number is located on the bottom of each page, in front of the page number. The numbering convention for the DS number is "DSXXXXA", where "XXXX" is the document number and "A" is the revision level of the document.

For the most up-to-date information on development tools, see the MPLAB® IDE on-line help. Select the Help menu, and then Topics to open a list of available on-line help files.

## INTRODUCTION

This chapter contains general information that will be useful to know before using the MCP1612 Evaluation Board. Items discussed in this chapter include:

- About This Guide
- Recommended Reading
- The Microchip Web Site
- Customer Support

## ABOUT THIS GUIDE

### Document Layout

This document describes how to use the MCP1612 Evaluation Board. The manual layout is as follows:

- **Chapter 1: Installation and Operation** – Describes how to use the various features of the MCP1612 Evaluation Board.
- **Appendix A: Schematic and Layouts** – Shows the schematic and Printed Circuit Board (PCB) layout diagrams for the MCP1612 Evaluation Board.
- **Appendix B: Bill-of-Materials** – Shows the parts used to build the MCP1612 Evaluation Board.

# MCP1612 Evaluation Board User's Guide

## Conventions Used in this Guide

This manual uses the following documentation conventions:

### DOCUMENTATION CONVENTIONS

Description	Represents	Examples
<b>Arial font:</b>		
Italic characters	Referenced books	<i>MPLAB<sup>®</sup> IDE User's Guide</i>
	Emphasized text	...is the <i>only</i> compiler...
Initial caps	A window	the Output window
	A dialog	the Settings dialog
	A menu selection	select Enable Programmer
Quotes	A field name in a window or dialog	"Save project before build"
Underlined, italic text with right angle bracket	A menu path	<u><i>File</i></u> >Save
Bold characters	A dialog button	Click <b>OK</b>
	A tab	Click the <b>Power</b> tab
'bnnnn'	A binary number where <i>n</i> is a digit	'b00100, 'b10
Text in angle brackets < >	A key on the keyboard	Press <Enter>, <F1>
<b>Courier font:</b>		
Plain Courier	Sample source code	#define START
	Filenames	autoexec.bat
	File paths	c:\mcc18\h
	Keywords	_asm, _endasm, static
	Command-line options	-Opa+, -Opa-
	Bit values	0, 1
Italic Courier	A variable argument	<i>file.o</i> , where <i>file</i> can be any valid filename
0xnnnn	A hexadecimal number where <i>n</i> is a hexadecimal digit	0xFFFF, 0x007A
Square brackets [ ]	Optional arguments	mcc18 [options] <i>file</i> [options]
Curly brackets and pipe character: {   }	Choice of mutually exclusive arguments; an OR selection	errorlevel {0 1}
Ellipses...	Replaces repeated text	var_name [, var_name...]
	Represents code supplied by user	void main (void) { ... }

## RECOMMENDED READING

The following Microchip documents are available and recommended as supplemental reference resources.

### MCP1612 Data Sheet, "Single 1A, 1.4 MHz Synchronous Buck Regulator", DS21921

The data sheet provides detailed information regarding the MCP1612 buck regulator.

## THE MICROCHIP WEB SITE

Microchip provides online support via our web site at [www.microchip.com](http://www.microchip.com). This web site is used as a means to make files and information easily available to customers. Accessible by using your favorite Internet browser, the web site contains the following information:

- **Product Support** – Data sheets and errata, application notes and sample programs, design resources, user's guides and hardware support documents, latest software releases and archived software
- **General Technical Support** – Frequently Asked Questions (FAQs), technical support requests, online discussion groups, Microchip consultant program member listing
- **Business of Microchip** – Product selector and ordering guides, latest Microchip press releases, listing of seminars and events, listings of Microchip sales offices, distributors and factory representatives

## CUSTOMER SUPPORT

Users of Microchip products can receive assistance through several channels:

- Distributor or Representative
- Local Sales Office
- Field Application Engineer (FAE)
- Technical Support
- Development Systems Information Line

Customers should contact their distributor, representative or field application engineer (FAE) for support. Local sales offices are also available to help customers. A listing of sales offices and locations is included in the back of this document.

Technical support is available through the web site at: <http://support.microchip.com>

In addition, there is a Development Systems Information Line which lists the latest versions of Microchip's development systems software products. This line also provides information on how customers can receive currently available upgrade kits.

The Development Systems Information Line numbers are:

1-800-755-2345 – United States and most of Canada

1-480-792-7302 – Other International Locations

## REVISION HISTORY

### Revision A (January 2005)

- Initial Release of this Document.

# MCP1612 Evaluation Board User's Guide

---

---

NOTES:



---

---

## Chapter 1. Installation and Operation

---

---

### 1.1 INTRODUCTION

The MCP1612 is a 1A, 1.4 MHz, fully integrated buck regulator. The output voltage is selectable from 0.8V to  $V_{IN}$  by use of an external resistor divider. It is available in both the 8L-MSOP and 8L-DFN packages.

The MCP1612 Evaluation Board contains two independent buck regulators featuring the 8L-MSOP and the 8L-DFN packages. The output voltage is set to one of eight different preset values (four per regulator circuit) by use of a two-position DIP switch. Each regulator circuit can supply an output current of 0 to 1A.

### 1.2 EVALUATION BOARD DESCRIPTION

The MCP1612 Evaluation Board consists of two separate 0 to 1A buck regulator circuits. One circuit (CKT<sub>1</sub>) features the 8L-MSOP package, while the other circuit (CKT<sub>2</sub>) features the 8L-DFN package. Each circuit has four different preset output voltage ( $V_{OUT}$ ) settings.

The settings for  $V_{OUT}$  on CKT<sub>1</sub> are 0.8V, 1.0V, 1.2V, and 1.4V. Refer to **Section 1.3.1 “CKT<sub>1</sub> Operation”** for an explanation detailing how to set  $V_{OUT}$ . The input voltage ( $V_{IN}$ ) of CKT<sub>1</sub> can be 2.7V to 5.5V for any setting of  $V_{OUT}$ .

The settings for  $V_{OUT}$  on CKT<sub>2</sub> are 0.8V, 1.7V, 2.4V, and 3.3V. Refer to **Section 1.3.2 “CKT<sub>2</sub> Operation”** for an explanation detailing how to set  $V_{OUT}$ . Since the MCP1612 is a buck regulator,  $V_{OUT}$  has to be lower than  $V_{IN}$ . Therefore, it is recommended that  $V_{IN}$  for CKT<sub>2</sub> be greater than  $V_{OUT}$  plus 500 mV to 5.5V to ensure proper operation.

# MCP1612 Evaluation Board User's Guide

---

## 1.3 HOW IT IS USED

### 1.3.1 CKT<sub>1</sub> Operation

1. Connect the 2.7V to 5.5V lab power supply to the V<sub>IN</sub> (TP1) pin and the GND (TP2) pin.

**Note:** The MCP1612 will not operate until V<sub>IN</sub> is above the 2.7V threshold.

2. Connect an electronic or resistive load between V<sub>OUT</sub> (TP4) pin and GND (TP5) pin.

**Note:** The MCP1612 is specified to deliver 0 to 1A of load current. The internal overcurrent limit is 2.3A. However, care should be taken not to exceed the 1A current rating of the part.

3. The values of V<sub>OUT</sub> are predetermined and are selectable by a two-position DIP switch (S1). Table 1-1 lists the switch settings and V<sub>OUT</sub>.

**TABLE 1-1: S1 SWITCH SETTINGS AND V<sub>OUT</sub>**

S1, Position 1	S1, Position 2	V <sub>OUT</sub>
Off	Off	0.8V
On	Off	1.0V
Off	On	1.2V
On	On	1.4V

4. With V<sub>IN</sub> applied, verify that V<sub>OUT</sub> agrees with the switching settings listed above.
5. A resistor pulls the shutdown (SHDN), pin up to V<sub>IN</sub>, making the circuit always enabled. The circuit can be disabled by pulling the SHDN (TP3) pin to ground.

## 1.3.2 CKT<sub>2</sub> Operation

1. Connect the 2.7V to 5.5V power supply to the V<sub>IN</sub> (TP9) pin and the GND (TP10) pin.

**Note 1:** The MCP1612 will not operate until V<sub>IN</sub> is above the 2.7V threshold.  
**2:** Since the MCP1612 is a buck regulator, V<sub>OUT</sub> has to be lower than V<sub>IN</sub>. Therefore, it is recommended to ensure proper operation that V<sub>IN</sub> be greater than V<sub>OUT</sub> plus 500 mV to 5.5V.

2. Connect an electronic or resistive load between V<sub>OUT</sub> (TP7) pin and GND (TP6) pin.

**Note:** The MCP1612 is specified to deliver 0 to 1A of load current. The internal overcurrent limit is 2.3A. However, care should be taken not to exceed the 1A current rating of the part.

3. The values of V<sub>OUT</sub> are predetermined and are selectable by a two-position DIP switch (S2). Table 1-2 lists the switch settings and V<sub>OUT</sub>.

**TABLE 1-2: S2 SWITCH SETTING AND V<sub>OUT</sub>**

S2, Position 1	S2, Position 2	V <sub>OUT</sub>
Off	Off	0.8V
On	Off	1.7V
Off	On	2.4V
On	On	3.3V

4. With V<sub>IN</sub> applied, verify that V<sub>OUT</sub> agrees with the switching settings listed above.
5. A resistor pulls the shutdown ( $\overline{\text{SHDN}}$ ) pin up to V<sub>IN</sub>, making the circuit always enabled. The circuit can be disabled by pulling the SHDN (TP8) pin to ground.

## 1.4 HOW IT WORKS

### 1.4.1 MCP1612 Functions

The MCP1612 is a fixed 1.4 MHz synchronous buck regulator that has integrated switching and synchronous MOSFETs. Other features integrated into the device include shutdown control, soft start, undervoltage lockout, overcurrent and overtemperature protection. The high switching frequency allows the use of a smaller inductor and filter capacitors which ultimately lead to a space-saving design. The output voltage is set by a simple resistor divider network and compensation is accomplished by a series resistor capacitor to ground.

### 1.4.2 Power Topology and Output Regulation

The MCP1612 is a buck regulator with integrated switching and synchronous MOSFETs. Under normal operation, current ramps up in the buck inductor when the P-channel MOSFET is on. This current is sensed and compared to the output of the error amplifier. The error amplifier output is the difference between the internal 0.8V reference and the divided down V<sub>OUT</sub>. When the sensed inductor current ramps up to the point that is equal to the amplifier error signal, the P-channel MOSFET is turned off and the N-channel synchronous MOSFET is turned on until the beginning of the next switching cycle.

# MCP1612 Evaluation Board User's Guide

---

---

NOTES:



# MCP1612 Evaluation Board User's Guide

---

---

## Appendix A. Schematic and Board Layouts

---

---

### A.1 INTRODUCTION

This appendix contains the schematic and Printed Circuit Board (PCB) layout diagrams for the MCP1612 Evaluation Board.

#### A.1.1 Highlights

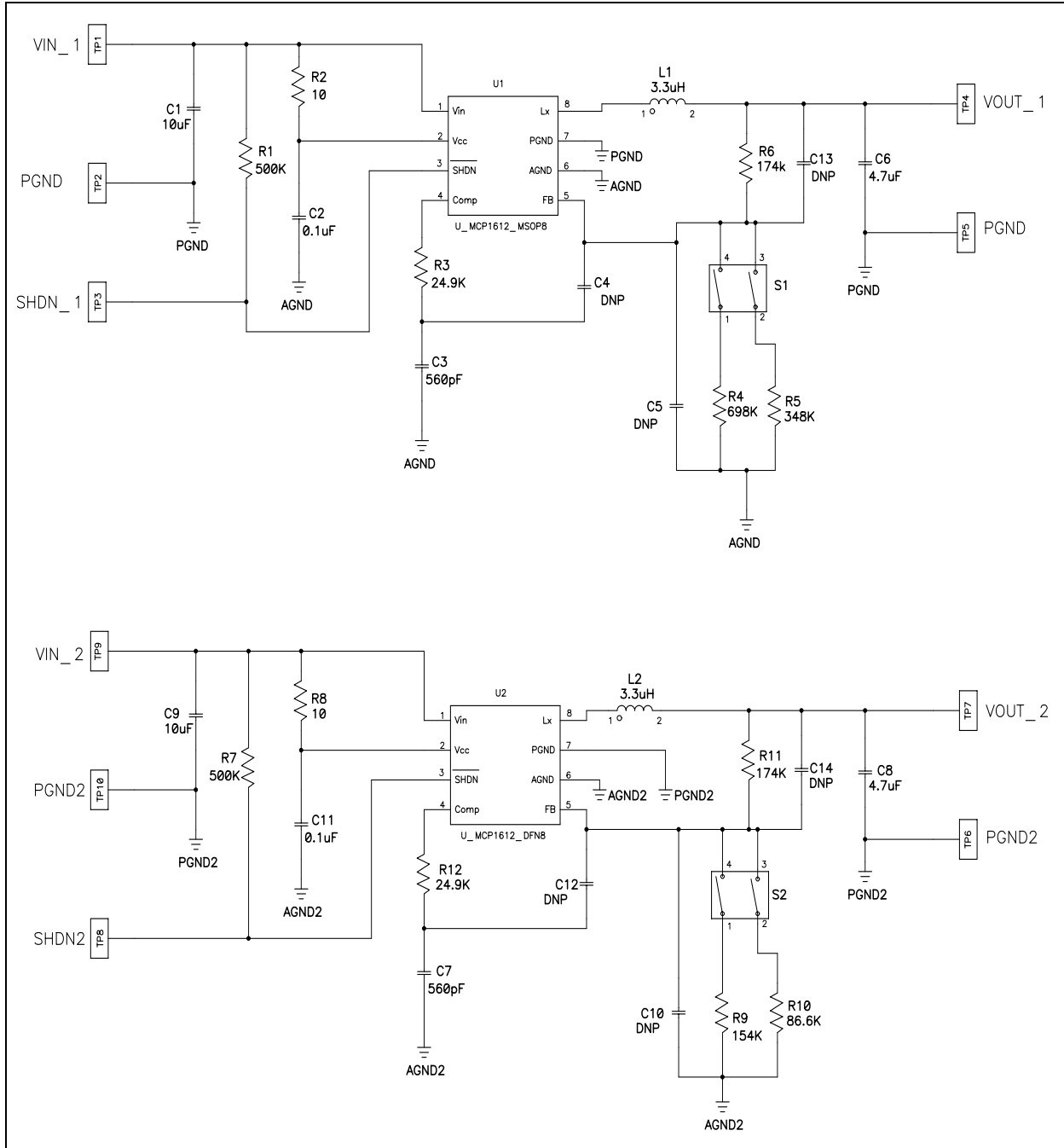
The MCP1612 Evaluation Board is constructed using a two-layer PCB. The top and bottom layers are for components and traces.

Diagrams included in this appendix:

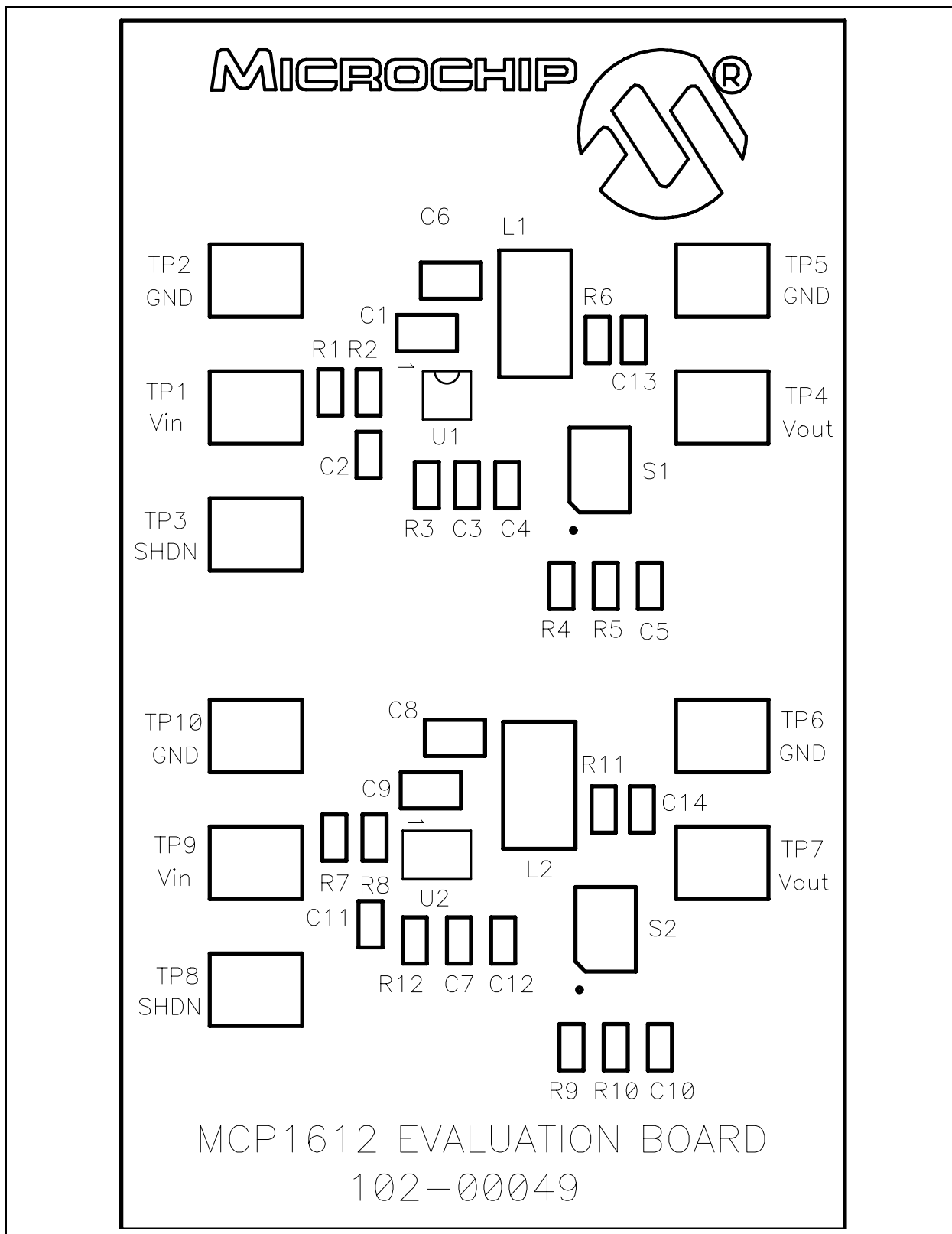
- Schematic
- Top Silk-Screen Layer
- Top Metal Layer
- Bottom Metal Layer
- Bottom Silk-Screen Layer

# MCP1612 Evaluation Board User's Guide

## A.2 SCHEMATIC

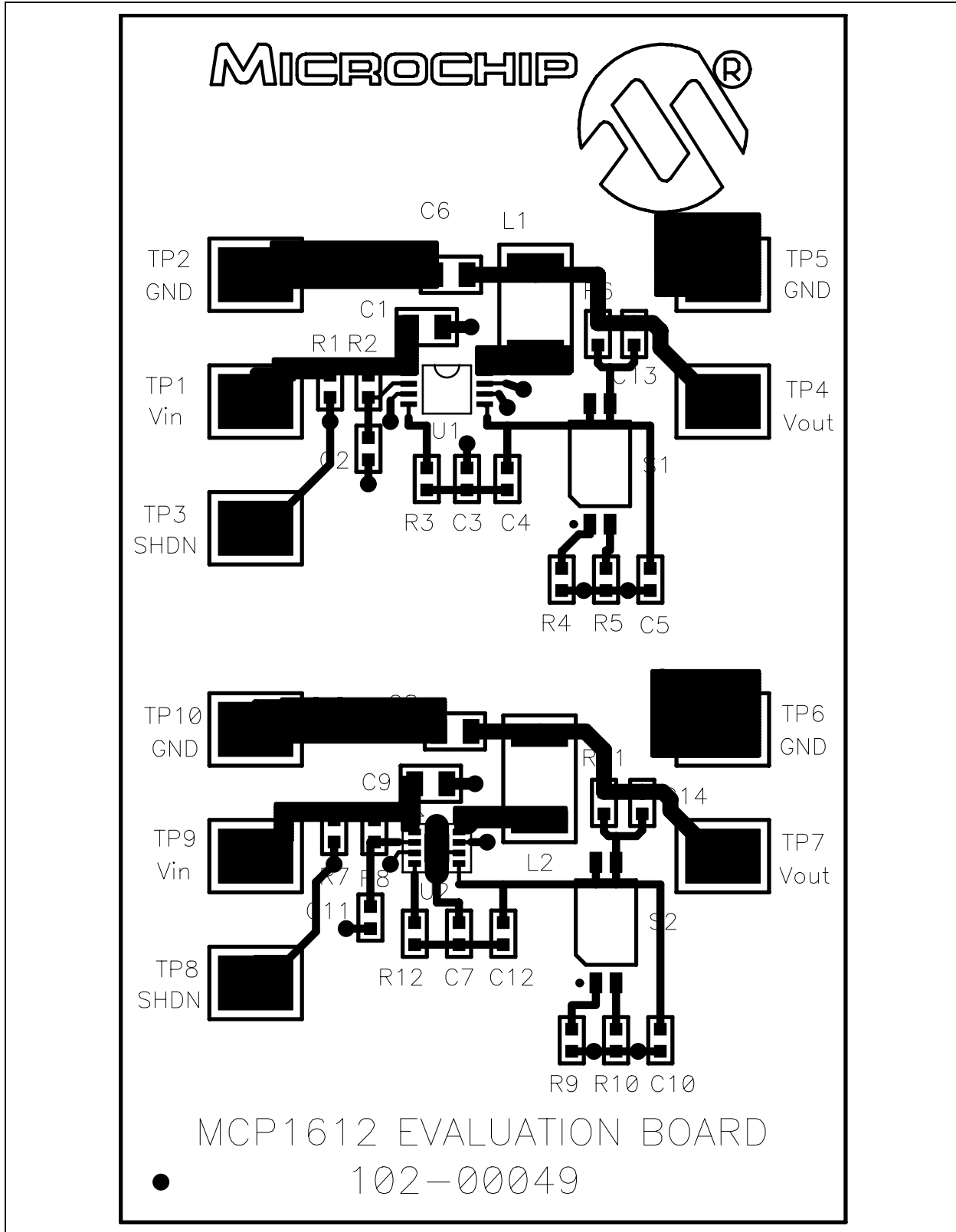


## A.3 TOP SILK-SCREEN LAYER



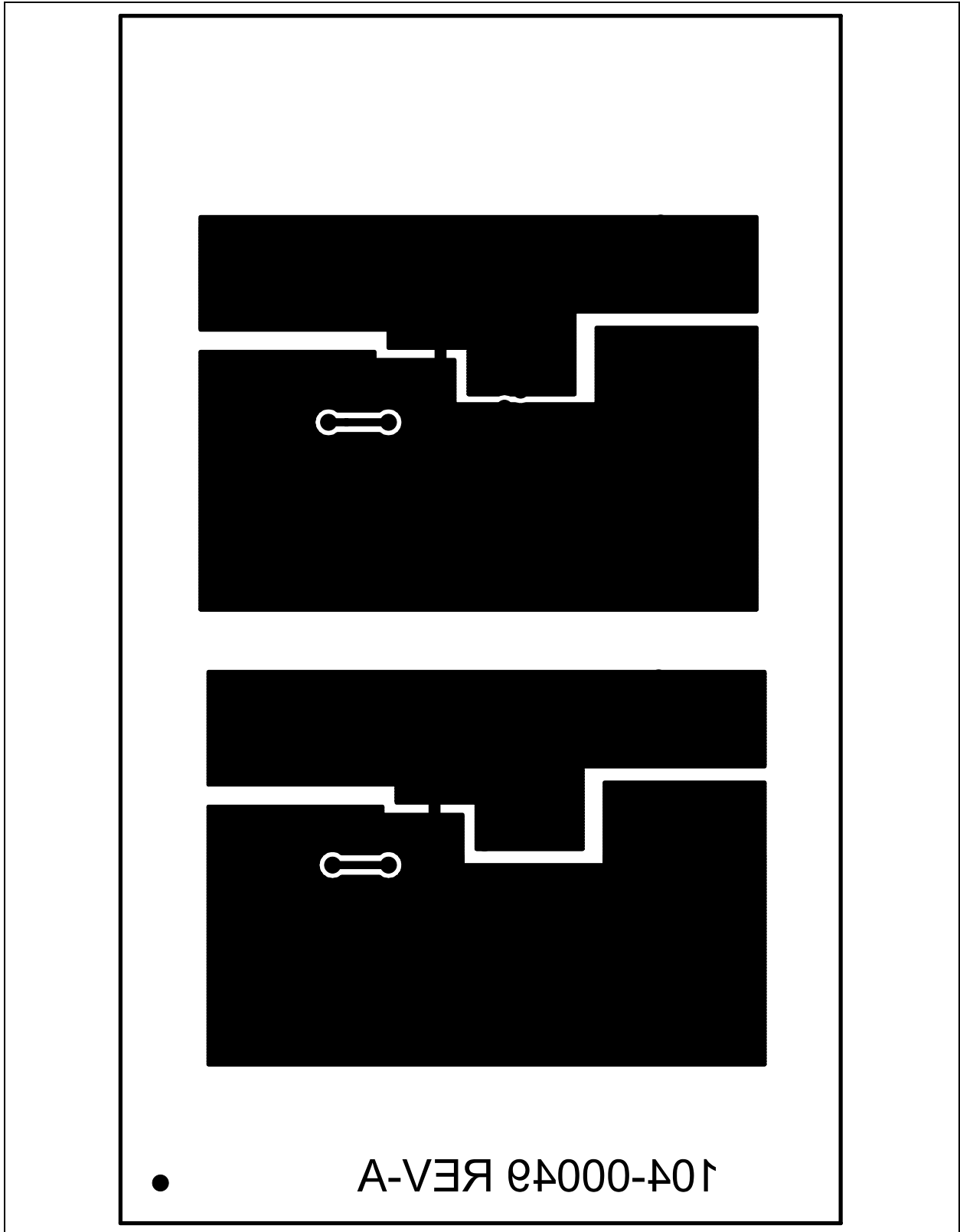
# MCP1612 Evaluation Board User's Guide

## A.4 TOP METAL LAYER



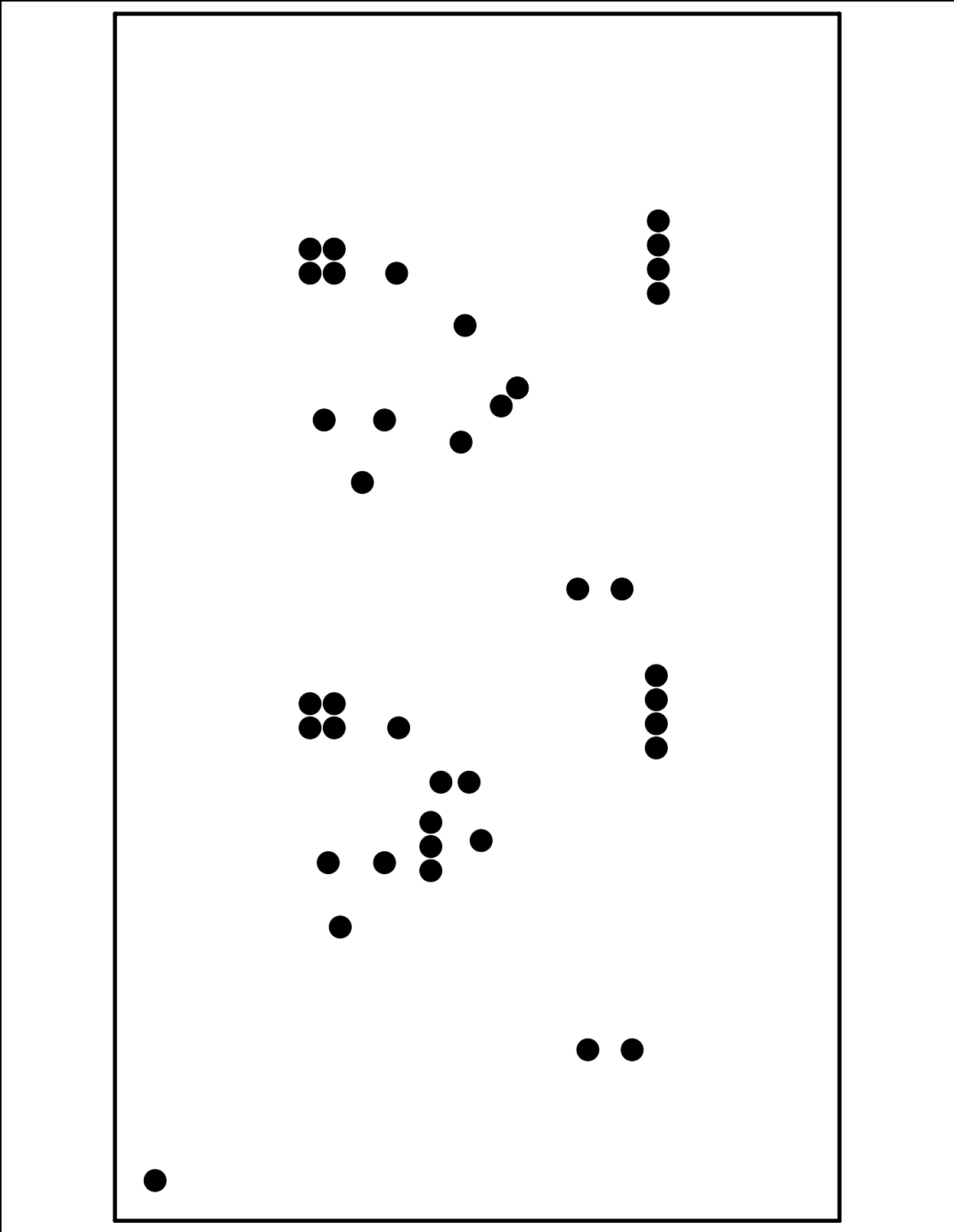


## A.5 BOTTOM METAL LAYER



# MCP1612 Evaluation Board User's Guide

## A.6 BOTTOM SILK-SCREEN LAYER (TOP VIEW)





# MCP1612 Evaluation Board User's Guide

## Appendix B. Bill-of-Materials (BOM)

**TABLE B-1: BILL-OF-MATERIALS (BOM)**

Qty	Reference	Description	Manufacture	Manufacture P/N
2	C2, C11	Capacitor, 0.1 $\mu$ F, 0603	KEMET Electronics®	C0603C104J4RACTU
2	C6, C8	Capacitor, 4.7 $\mu$ F, 0805	Panasonic - ECG	ECJ-2FB1C475K
2	C1, C9	Capacitor, 10 $\mu$ F, 0805	MuRata Electronics®	GRM21BR61A106KE19L
2	C3, C7	Capacitor, 560 pF, 0603	TDK Electronics Co., LTD	C1608C0G1H561J
4	C4, C5, C10, C12, C13, C14	Do Not Populate	–	–
2	L1, L2	3.3 $\mu$ H Inductor	Coilcraft®	DO1608C-332
1	U2	MCP1612 DFN	Microchip Technology Inc.	MCP1612-ADJI/MF
1	U1	MCP1612 MSOP	Microchip Technology Inc.	MCP1612-ADJI/MS
2	R2, R8	Resistor, 10 $\Omega$ , 0603	Yageo America	9C06031A10R0FKHFT
2	R3, R12	Resistor, 24.9 k $\Omega$ , 0603	Yageo America	9C06031A2492FKHFT
1	R10	Resistor, 86.6 k $\Omega$ , 0603	Yageo America	9C06031A8662FKHFT
1	R9	Resistor, 154 k $\Omega$ , 0603	Yageo America	9C06031A1543FKHFT
2	R6, R11	Resistor, 174 k $\Omega$ , 0603	Yageo America	9C06031A1743FKHFT
1	R5	Resistor, 348 k $\Omega$ , 0603	Yageo America	9C06031A3483FKHFT
2	R1, R7	Resistor, 500 k $\Omega$ , 0603	Yageo America	9C06031A5003FKHFT
1	R4	Resistor, 698 k $\Omega$ , 0603	Yageo America	9C06031A6983FKHFT
2	S1, S2	DIP Switch	ITT Industries, C&K Div.	TDA02H0SK1
10	TP1, TP2, TP3, TP4, TP5, TP6, TP7, TP8, TP9, TP10	SMT Test Point	Keystone Electronics®	5016



---

---

## WORLDWIDE SALES AND SERVICE

---

---

### AMERICAS

**Corporate Office**  
2355 West Chandler Blvd.  
Chandler, AZ 85224-6199  
Tel: 480-792-7200  
Fax: 480-792-7277  
Technical Support:  
<http://support.microchip.com>  
Web Address:  
[www.microchip.com](http://www.microchip.com)

**Atlanta**  
Alpharetta, GA  
Tel: 770-640-0034  
Fax: 770-640-0307

**Boston**  
Westford, MA  
Tel: 978-692-3848  
Fax: 978-692-3821

**Chicago**  
Itasca, IL  
Tel: 630-285-0071  
Fax: 630-285-0075

**Dallas**  
Addison, TX  
Tel: 972-818-7423  
Fax: 972-818-2924

**Detroit**  
Farmington Hills, MI  
Tel: 248-538-2250  
Fax: 248-538-2260

**Kokomo**  
Kokomo, IN  
Tel: 765-864-8360  
Fax: 765-864-8387

**Los Angeles**  
Mission Viejo, CA  
Tel: 949-462-9523  
Fax: 949-462-9608

**San Jose**  
Mountain View, CA  
Tel: 650-215-1444  
Fax: 650-961-0286

**Toronto**  
Mississauga, Ontario,  
Canada  
Tel: 905-673-0699  
Fax: 905-673-6509

### ASIA/PACIFIC

**Australia - Sydney**  
Tel: 61-2-9868-6733  
Fax: 61-2-9868-6755

**China - Beijing**  
Tel: 86-10-8528-2100  
Fax: 86-10-8528-2104

**China - Chengdu**  
Tel: 86-28-8676-6200  
Fax: 86-28-8676-6599

**China - Fuzhou**  
Tel: 86-591-8750-3506  
Fax: 86-591-8750-3521

**China - Hong Kong SAR**  
Tel: 852-2401-1200  
Fax: 852-2401-3431

**China - Shanghai**  
Tel: 86-21-5407-5533  
Fax: 86-21-5407-5066

**China - Shenyang**  
Tel: 86-24-2334-2829  
Fax: 86-24-2334-2393

**China - Shenzhen**  
Tel: 86-755-8203-2660  
Fax: 86-755-8203-1760

**China - Shunde**  
Tel: 86-757-2839-5507  
Fax: 86-757-2839-5571

**China - Qingdao**  
Tel: 86-532-502-7355  
Fax: 86-532-502-7205

### ASIA/PACIFIC

**India - Bangalore**  
Tel: 91-80-2229-0061  
Fax: 91-80-2229-0062

**India - New Delhi**  
Tel: 91-11-5160-8631  
Fax: 91-11-5160-8632

**Japan - Kanagawa**  
Tel: 81-45-471- 6166  
Fax: 81-45-471-6122

**Korea - Seoul**  
Tel: 82-2-554-7200  
Fax: 82-2-558-5932 or  
82-2-558-5934

**Singapore**  
Tel: 65-6334-8870  
Fax: 65-6334-8850

**Taiwan - Kaohsiung**  
Tel: 886-7-536-4818  
Fax: 886-7-536-4803

**Taiwan - Taipei**  
Tel: 886-2-2500-6610  
Fax: 886-2-2508-0102

**Taiwan - Hsinchu**  
Tel: 886-3-572-9526  
Fax: 886-3-572-6459

### EUROPE

**Austria - Weis**  
Tel: 43-7242-2244-399  
Fax: 43-7242-2244-393

**Denmark - Ballerup**  
Tel: 45-4450-2828  
Fax: 45-4485-2829

**France - Massy**  
Tel: 33-1-69-53-63-20  
Fax: 33-1-69-30-90-79

**Germany - Ismaning**  
Tel: 49-89-627-144-0  
Fax: 49-89-627-144-44

**Italy - Milan**  
Tel: 39-0331-742611  
Fax: 39-0331-466781

**Netherlands - Drunen**  
Tel: 31-416-690399  
Fax: 31-416-690340

**England - Berkshire**  
Tel: 44-118-921-5869  
Fax: 44-118-921-5820