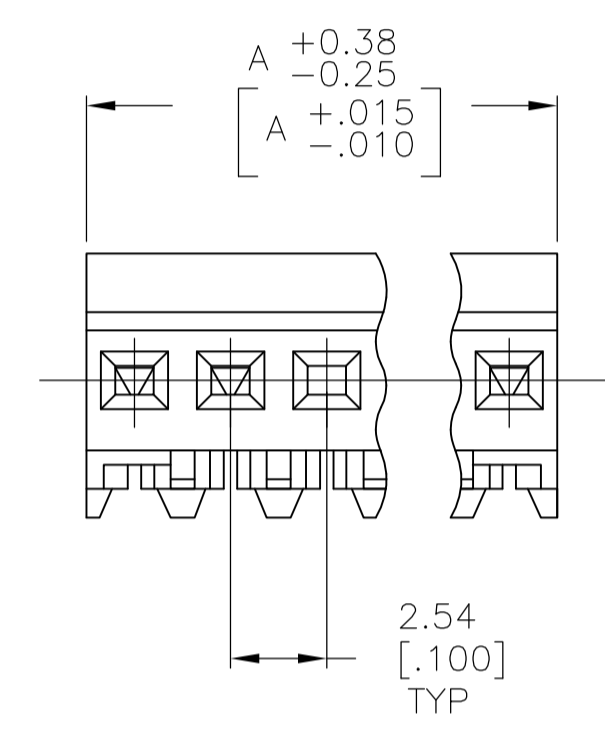
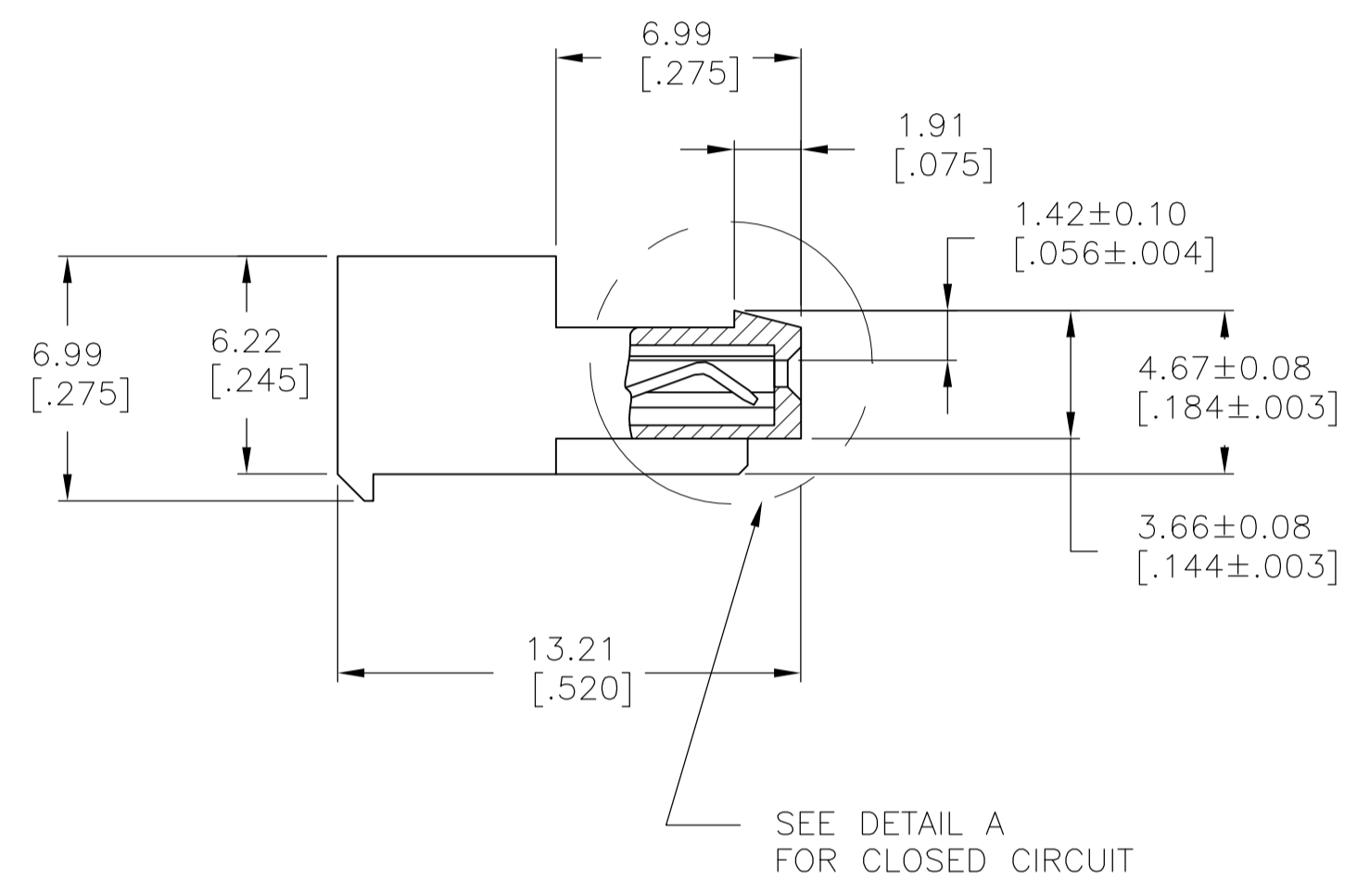
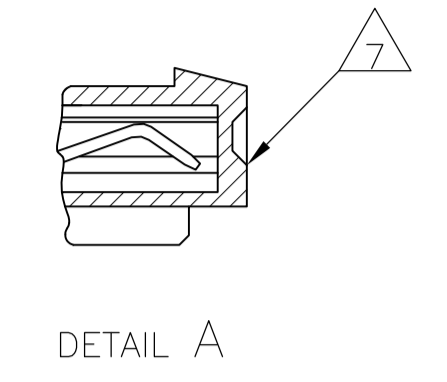
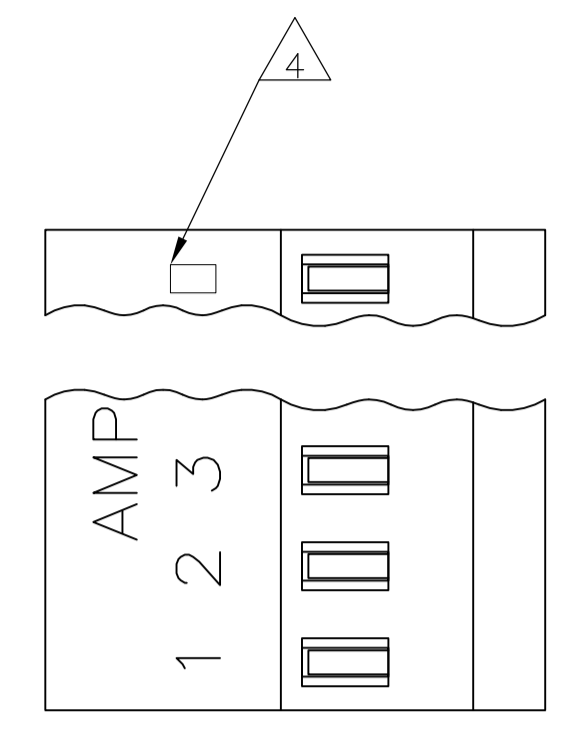


LOC		DIST		REVISIONS			
P	LTR	DESCRIPTION	DATE	DMN	APVD		
T		REVISED PER ECO-07-003755	25FEB07	KW	DB		
T1		REVISED PER ECO-09-021510	15AUG09	KK	AEG		



- 1 MATERIAL: CONNECTOR - NYLON UL94V-2 (WHITE).
 CONTACTS - 0.30[.012] THICK COPPER ALLOY
 MATTE WHISKER MITIGATED TIN
 0.00203[.000080] MIN THICKNESS
 OVER NICKEL UNDERPLATE OR BRIGHT
 TIN-LEAD 93/7 0.00203[.000080] MIN
 THICKNESS. SEE FINISH COLUMN FOR
 PLATING TYPE.
- 2. CONTACTS ACCEPT 24 AWG WIRE WITH 1.52[.060] MAX
 INSULATION DIAMETER.
- 3. CONTACTS MUST ACCEPT 0.64±0.03 [.025±.001] SQUARE
 POST AND REMAIN LOCKED IN POSITION.
- 4 IDENTIFICATION NUMBER FOR LAST CIRCUIT MAY
 NOT APPEAR ON ALL ASSEMBLIES.
- 5. DIMENSIONS IN BRACKETS ARE IN INCHES.
- 6. HOUSING FEATURES ARE: CLOSED END WITH LOCKING
 RAMP.
- 7 DETAIL A SHOWS CIRCUIT NO.3 MOLDED CLOSED.
- 8 OBSOLETE PARTS: OBSOLETE CIS STREAMLINING PER D.RENAUD/D.SINISI

FINISH	DIM A	NO OF CIRCUITS	PART NO
TIN	12.70 [.500]	5	3-641818-5
	10.16 [.400]	4	3-641818-4
TIN-LEAD	12.70 [.500]	5	641818-5
	10.16 [.400]	4	641818-4

⚠ SUPERSEDED

METRIC

THIS DRAWING IS A CONTROLLED DOCUMENT.

DIMENSIONS: mm [INCHES]	TOLERANCES UNLESS OTHERWISE SPECIFIED:	DIN R. LEWIS 22 APR 91	Tyco Electronics Corporation Harrisburg, Pa 17105-3608
0 PLC ± -	1 PLC ± -	CHK R. SWING 22 APR 91	
2 PLC ± -	3 PLC ± .13 [.005]	APVD G. MILLER 22 APR 91	NAME MTA-100 CONNECTOR ASSEMBLY, 24 AWG, NO.3 CIRCUIT CLOSED, SPECIAL
4 PLC ± -	ANGLES ± -	PRODUCT SPEC 108-1050	
MATERIAL 1	FINISH 1	APPLICATION SPEC 114-1019	SIZE A1
CUSTOMER DRAWING		WEIGHT -	CAGE CODE 00779
		DRAWING NO 641818	RESTRICTED TO -
		SCALE 5:1	SHEET 1 OF 1
		REV T1	