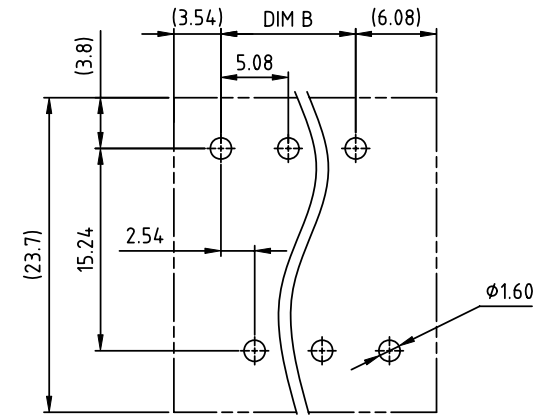
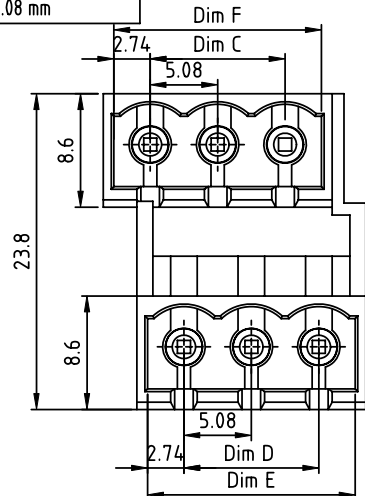
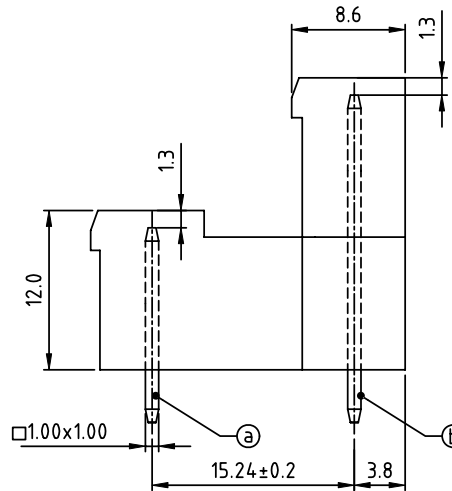
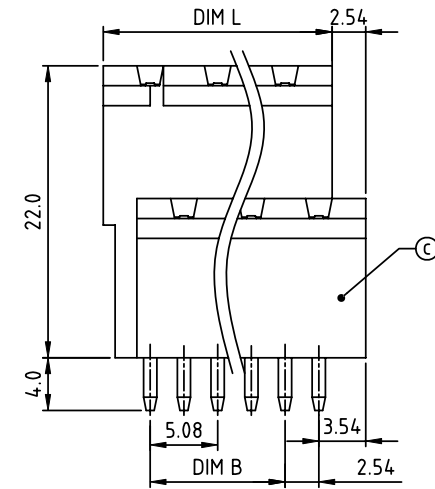


PRODUCT NUMBER	PITCH
VFxx51x000J0G	5.08 mm



RECOMMENDED P.C.B LAYOUT  
TOP VIEW



Material:

- Item a Short pin: Copper, Tin plated
- Item b Long pin: Copper, Tin plated
- Item c Terminal (housing): Thermoplastic (UL94V-0)

Electrical cULus

- Voltage rating: 300VAC
- Current rating: 10A
- Withstanding Voltage: 1.6KV
- Operating temperature: -40°C to +115°C
- Soldering temperature: 260°C±5°C/5 Sec
- Safety Approval:

PART NO.: VF xx 51 x 0 00J0 G

Dimension	
Dim L	(N/2-1)×5.08+7.08
Dim B	(N/2-1)×5.08
Dim C	(N/2-1)×5.08
Dim D	(N/2-1)×5.08
Dim E	(N/2-1)×5.08+5.48
Dim F	(N/2-1)×5.08+5.48

N=Number of poles		
Poles	Tolerance	
2×2P-2×5P	±0.15	
2×6P-2×10P	±0.20	
2×11P-2×15P	±0.25	
2×16P-2×20P	±0.30	
2×21P-2×24P	±0.35	

- Solid block
- No. of poles
- 0 Black (RAL9005)
- 2 Red (RAL3001/D)
- 04 2x2poles
- 3 Orange(RAL2011/P)
- 06 2x3poles
- 4 Yellow(RAL1018/A)
- ... ..
- 5 Green(RAL6018/T)
- 48 2x24poles
- 6 Blue (RAL5015/A)
- 8 Grey(RAL7035/D)
- 9 White(RAL1102)
- C Green(RAL6018/U)

RoHS compliant  
(lead<4%)  
In copper Alloy

mat'l. code				surface ASME Y14.5	tolerance ASME Y14.5	projection	product family
ltr	ecn	no	dr	date	tolerances unless otherwise specified		TERMINAL BLOCK
					angles	MM	title
					flat		TERMINAL BLOCK
					X°±1°	scale	PLUGGABLE SOCKET,CLOSE TYPE,VERTICAL
					dr		dwg no
					enrg		sheet 1 of 1
					chr		size
					appd		A4
							type
sheet index	revision	A					CUSTOMER Drawing
	sheet	1					